

Engineering Release Notice (ERN)	Location	Change Description	A = Added D = Deleted	W = Was	Document Release Status RELEASED
D-17202-26		SEE DCN			Date Modification Count

WIRING DIAGRAM IN DEX, 12V

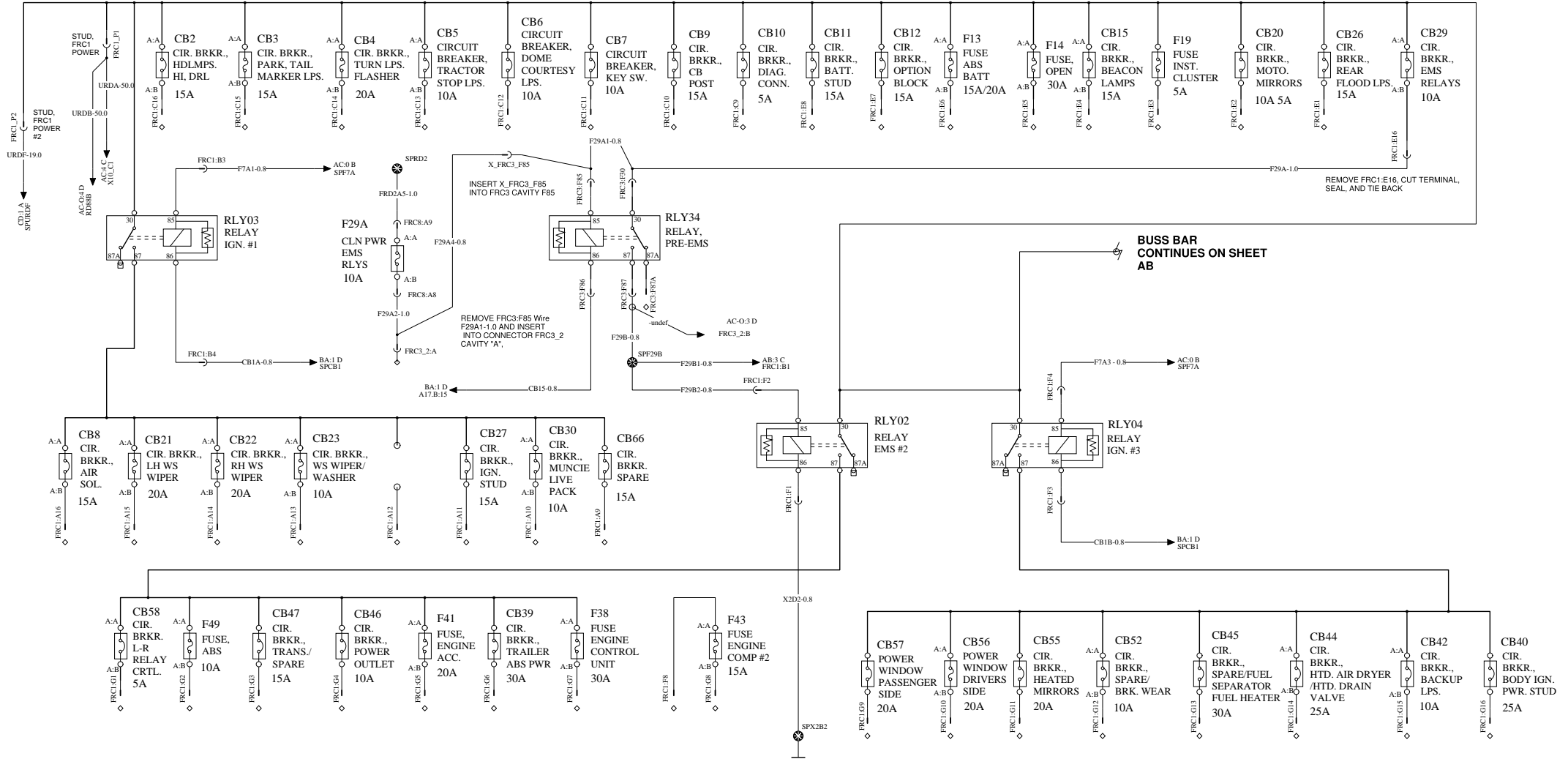
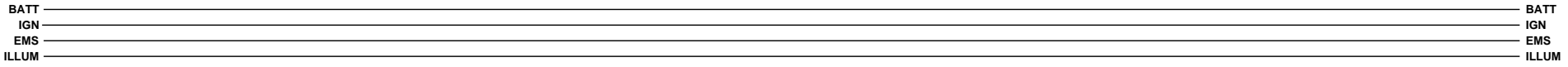
NAME	DESCRIPTION	Page	NAME	DESCRIPTION	Page
AA-O	POWER DISTRIBUTION	2	FE-O	NYC DUAL BIN & PUDDLE WORKING LAMPS	14
AC-O	NYC_IGN_DISCONNECT	3	GA-O	NYC_LIGHTING_CLN_POWER_FLASHER	15
BC-O	NYC_CUSTOMER_INTERFACE_CA_V1	4	GD-O	NYC_LIGHTING_PLOW_LIGHTS	16
BH-O	NYC_BBM_V3	5	GQ-O	HORN WIRING	17
BI-O	TGW2	6	HA-O	CLIMATE CONTROL, HVAC JUMPER & ROOF AIR	18
BM-O	NYC_SINGLE_BIN_BB	7	NA-O	NYC_SPARE_CONNECTORS_&_FEEDS	19
BN-O	NYC_SINGLE_DUAL_BIN_BB	8	NB-O	NYC_SPARES_FEEDS_V1	20
CK-O	NYC_DPF_ALERT	9	NE-O	NYC_SINGLE_BIN_BB	21
DD-O	TRANSMISSION CONTROL 5 th GENERATION	10	NF-O	NYC_SINGLE_DUAL_BIN_ELECTRIC_FUEL_PRIMER_PUMP_&_VENT_FANS	22
EC-O	ABS BENDIX	11	XA-O	NYC_DIAGNOSTICS_CONNECTOR	23
FC-A-O	NYC_SINGLE_DUAL_BIN_BB	12			
FC-O	NYC_DUAL_BIN_BB	13			

<div style="font-size: 2em; font-weight: bold; margin-bottom: 10px;">MACK</div> <p>Mack Trucks, Inc.</p>	Document Title WIRING DIAGRAM 12V - TYPE OL L1EH1 NYC - DEPT OF SANITATION - DUAL BIN			
	Document Type TECHNICAL REGULATION			
	Owner Domain: Document Prefix			
	Document No <div style="font-size: 1.2em; font-weight: bold;">22760318</div>	Issue Index <div style="font-size: 1.2em; font-weight: bold;">04</div>	Volume No <div style="font-size: 1.2em; font-weight: bold;">01</div>	Page No <div style="font-size: 1.2em; font-weight: bold;">1(23)</div>

EDM-W 2000-04-01

POWER DISTRIBUTION

WIRING DIAGRAM: AA-O



BUSS BAR CONTINUES ON SHEET AB

REMOVE FRC1-E16, CUT TERMINAL, SEAL, AND TIE BACK

REMOVE FRC3-F85 Wire F29A1-1.0 AND INSERT INTO CONNECTOR FRC3_2 CAVITY "A"

INSERT X_FRC3_F85 INTO FRC3 CAVITY F85

MACK

Mack Trucks Inc.

Document title
 WIRING DIAGRAM - TYPE OL L1EH1 - NYC DOS
 Document type
 PRODUCT SCHEMATIC

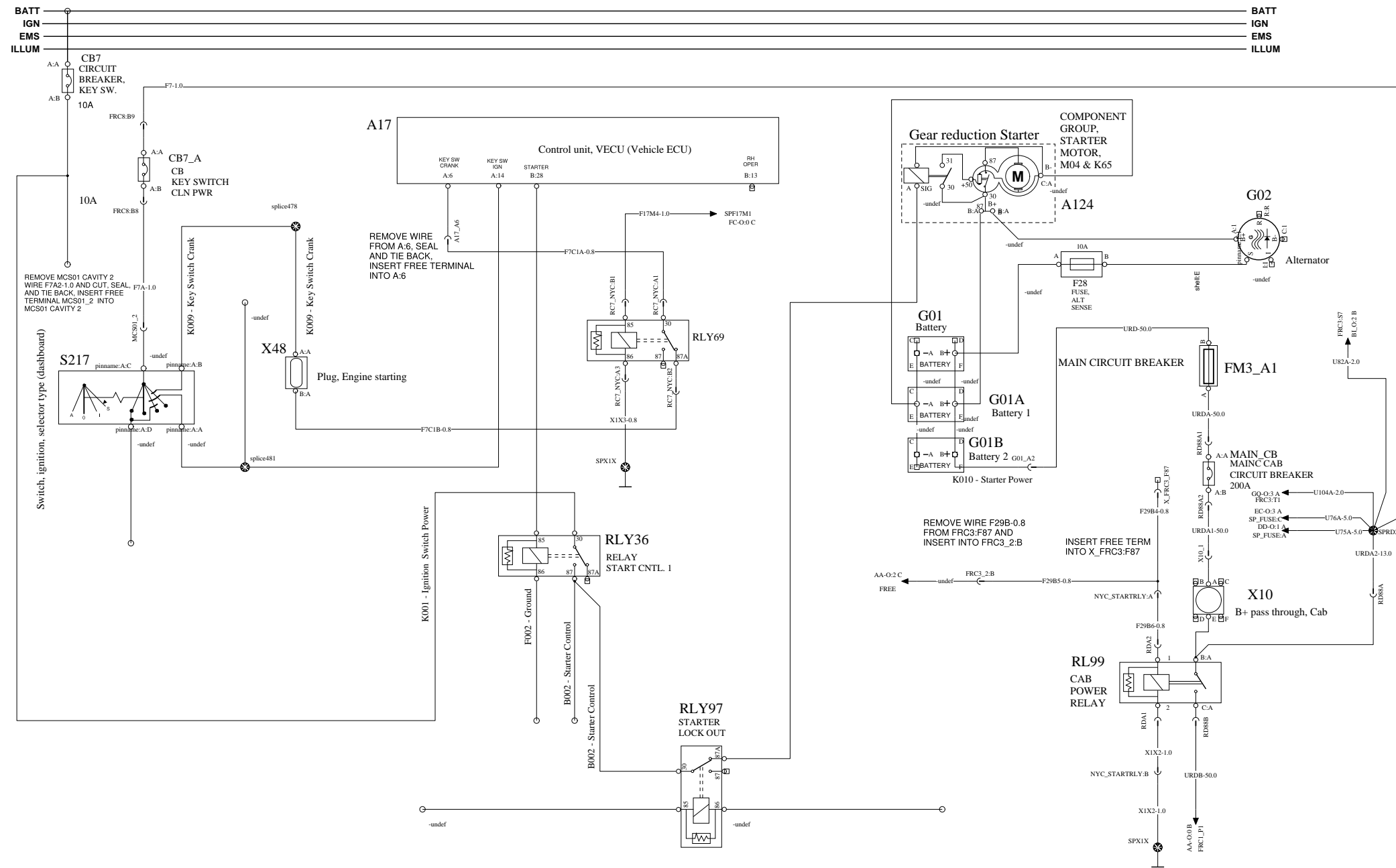
Drawing No.
 22760318

Revision
 04

Page
 2 (23)

NYC_IGN_DISCONNECT

WIRING DIAGRAM: AC-O



BATT
IGN
ILLUM

CB7
CIRCUIT
BREAKER,
KEY SW.
10A

CB7_A
CB
KEY SWITCH
CLN PWR
10A

REMOVE MCS01 CAVITY 2
WIRE F7A2-1.0 AND CUT, SEAL,
AND TIE BACK, INSERT FREE
TERMINAL MCS01_2 INTO
MCS01 CAVITY 2

S217
Switch, ignition, selector type (dashboard)

K009 - Key Switch Crank

X48
Plug, Engine starting

Control unit, VECU (Vehicle ECU)

REMOVE WIRE
FROM A:6, SEAL
AND TIE BACK,
INSERT FREE TERMINAL
INTO A:6

RLY69

REMOVE WIRE F29B-0.8
FROM FRC3:F87 AND
INSERT INTO FRC3_2:B

RY36
RELAY
START CNTL. 1

RY97
STARTER
LOCK OUT

G01
Battery

G01A
Battery 1

G01B
Battery 2 G01_A2

K010 - Starter Power

MAIN CIRCUIT BREAKER
FM3_A1

REMOVE WIRE F29B-0.8
FROM FRC3:F87 AND
INSERT INTO X_FRC3:F87

RL99
CAB
POWER
RELAY

A124
Gear reduction Starter

COMPONENT
GROUP,
STARTER
MOTOR,
M04 & K65

Alternator
G02

SPR2
SPR2

B+ pass through, Cab
X10

MACK

Mack Trucks Inc.

Document title
WIRING DIAGRAM - TYPE OL L1EH1 - NYC DOS

Document type
PRODUCT SCHEMATIC

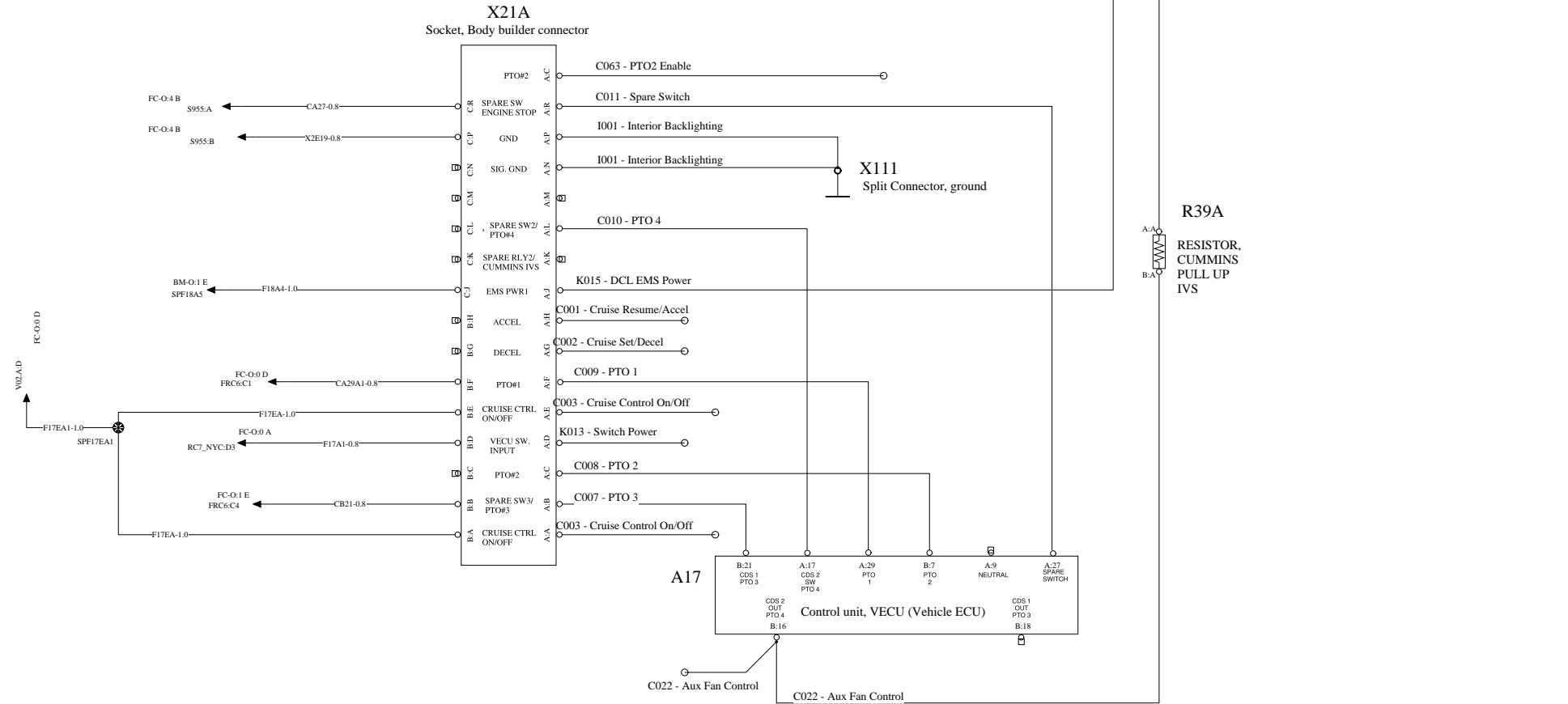
Drawing No.
22760318

Revision
04

Page
3 (23)

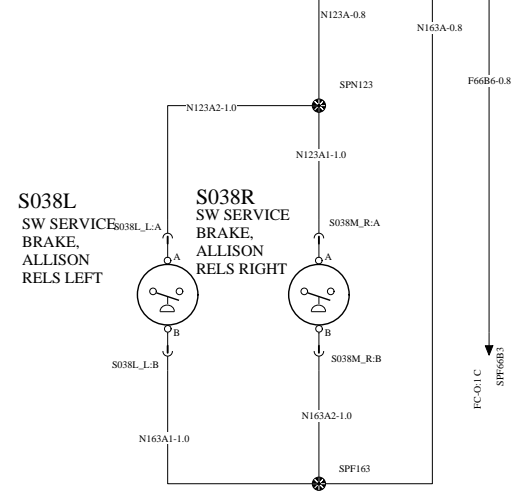
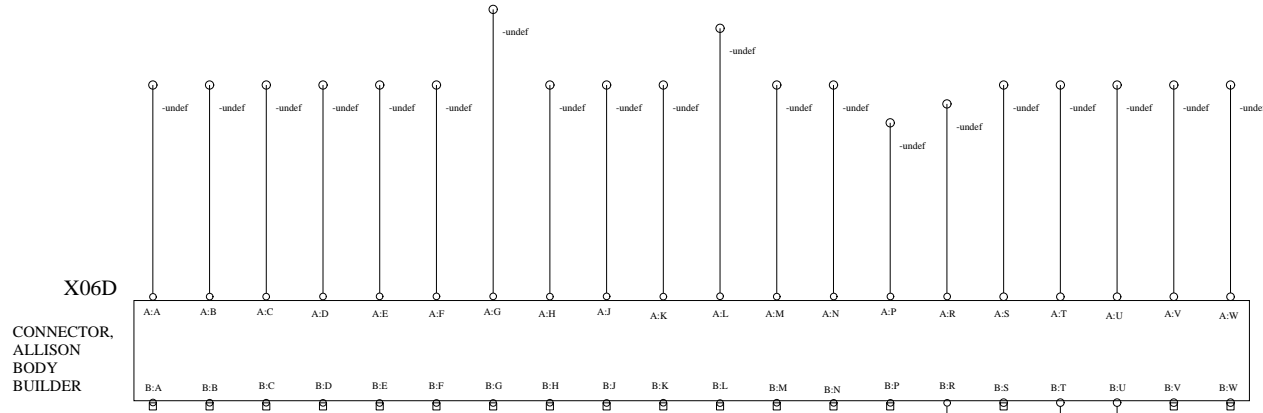
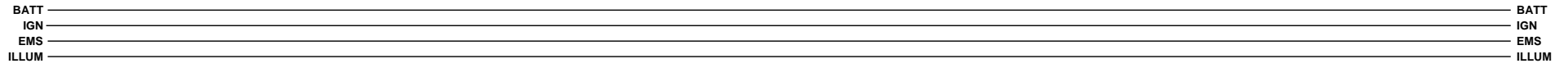
BATT
IGN
EMS
ILLUM

BATT
IGN
EMS
ILLUM



NYC_BBM_V3

WIRING DIAGRAM: BH-O



MACK

Mack Trucks Inc.

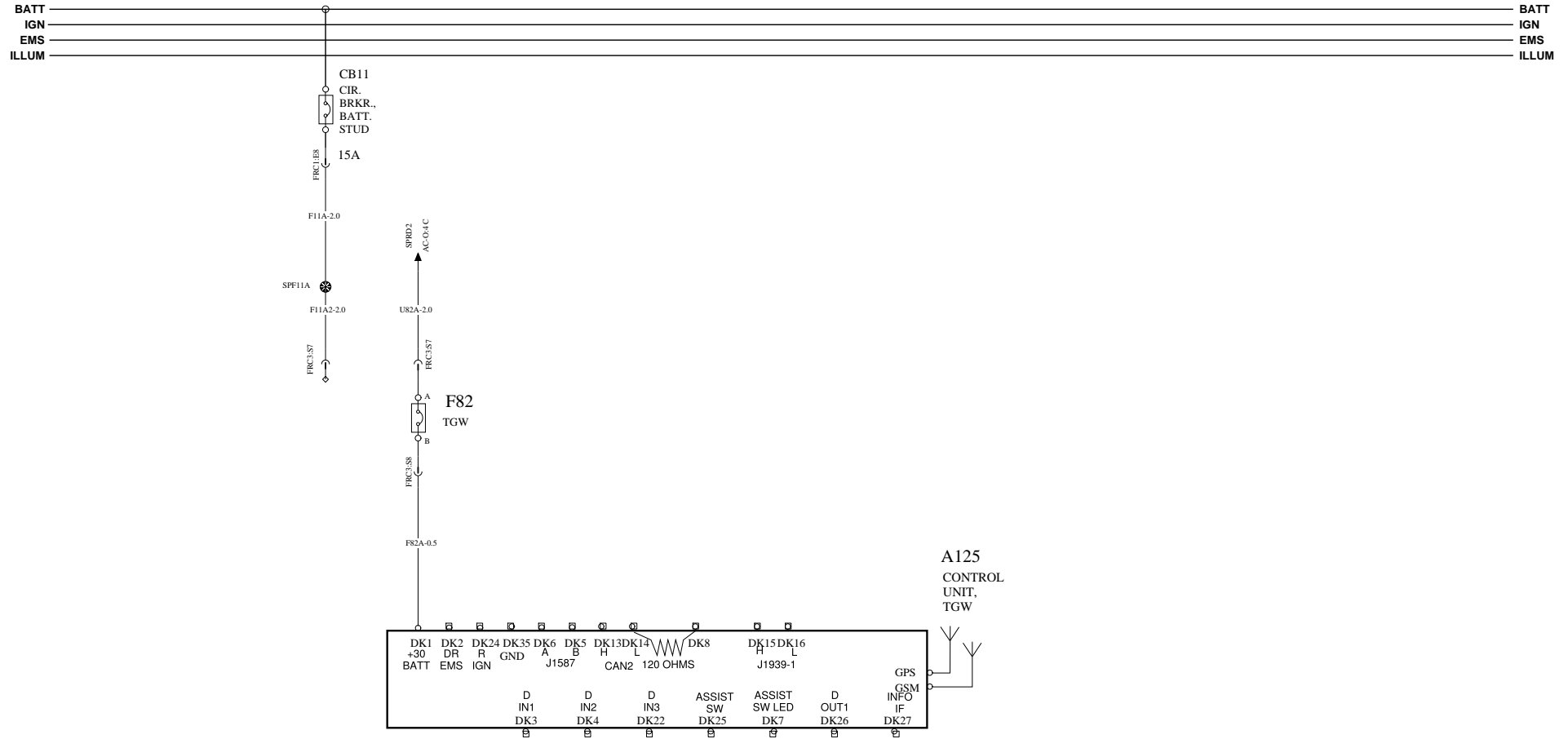
Document title
 WIRING DIAGRAM - TYPE OL L1EH1 - NYC DOS

Document type
 PRODUCT SCHEMATIC

Drawing No.
 22760318

Revision
 04

Page
 5 (23)

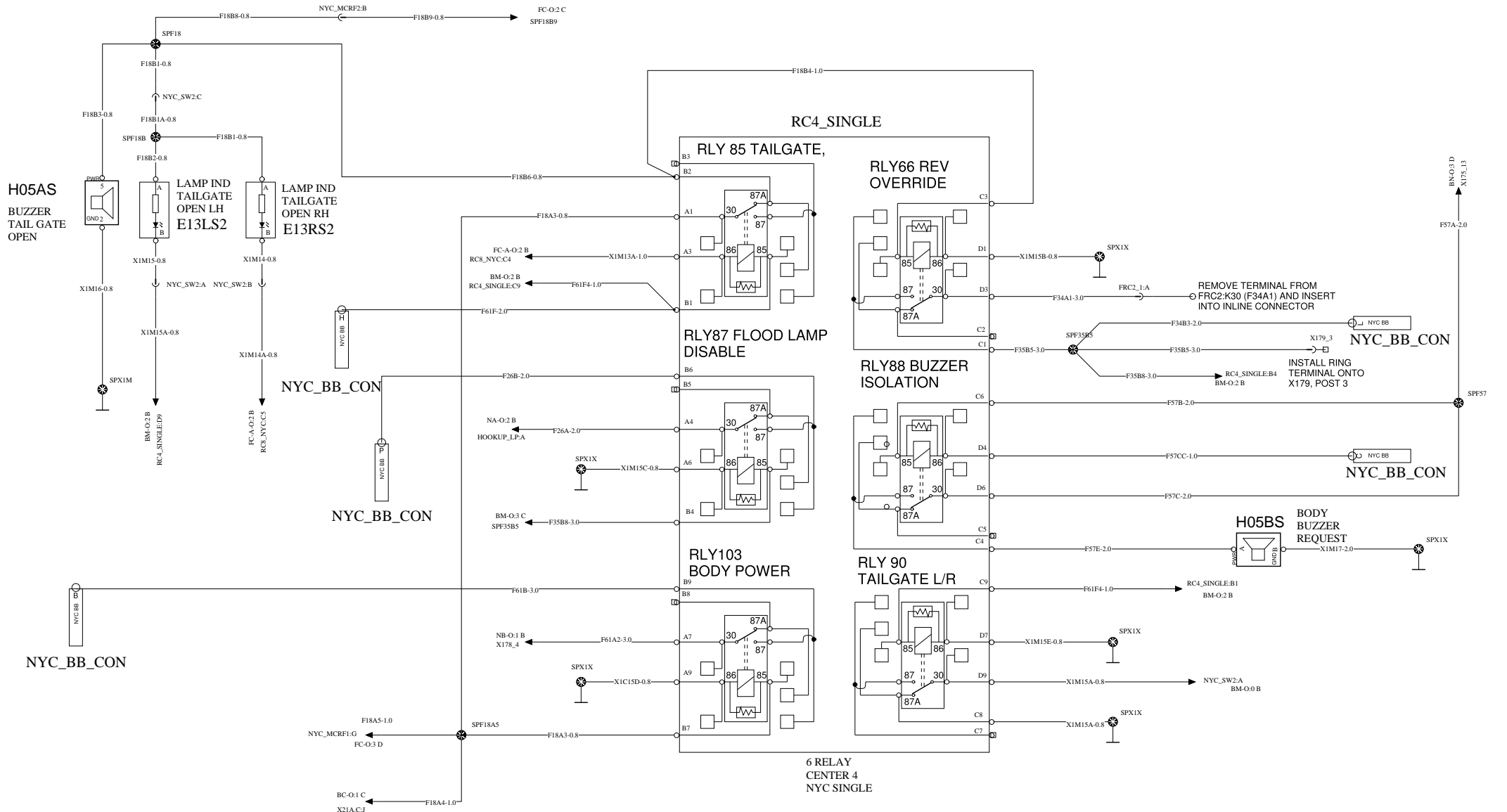


NYC_DUAL_BIN_BB

WIRING DIAGRAM: BM-O

BATT
IGN
EMS
ILLUM

BATT
IGN
EMS
ILLUM



MACK

Mack Trucks Inc.

Document title
WIRING DIAGRAM - TYPE OL L1EH1 - NYC DOS

Document type
PRODUCT SCHEMATIC

Drawing No.
22760318

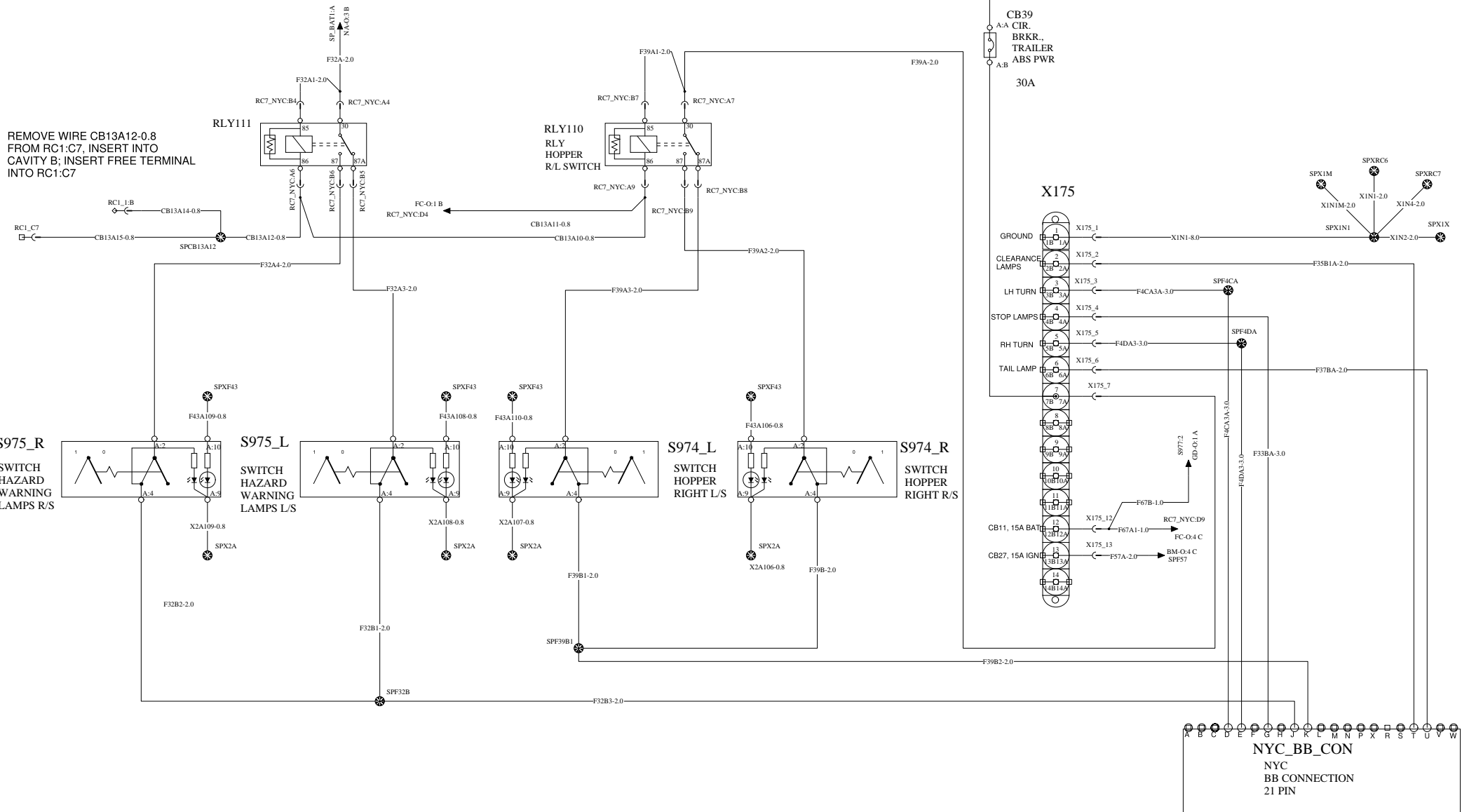
Revision
04

Page
7 (23)

NYC_SINGLE_DUAL_BIN_BB

WIRING DIAGRAM: BN-O

BATT
IGN
EMS
ILLUM



MACK

Mack Trucks Inc.

Document title
WIRING DIAGRAM - TYPE OL L1EH1 - NYC DOS

Document type
PRODUCT SCHEMATIC

Drawing No.
22760318

Revision
04

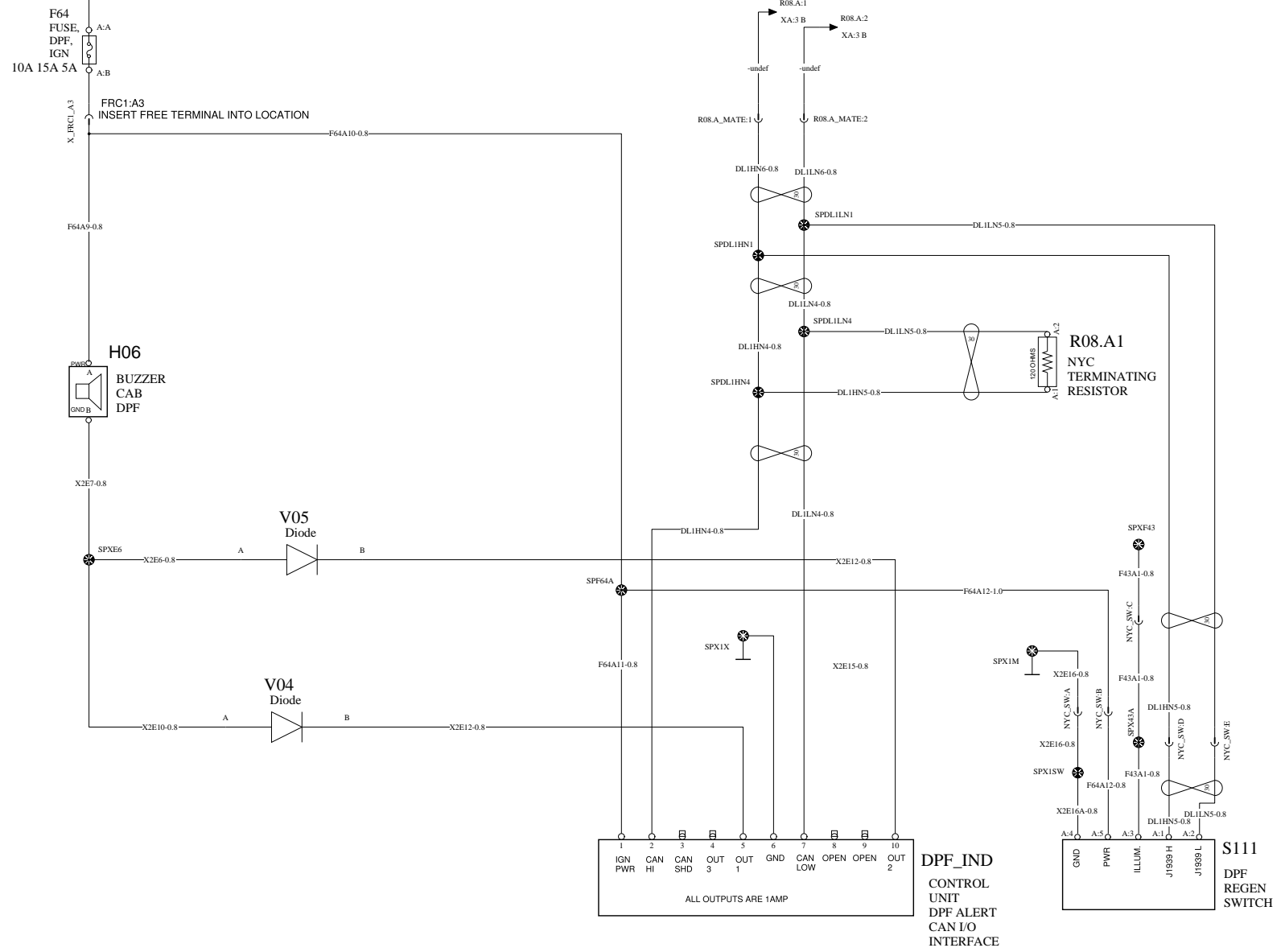
Page
8 (23)

NYC_DPF_ALERT

WIRING DIAGRAM: CK-O

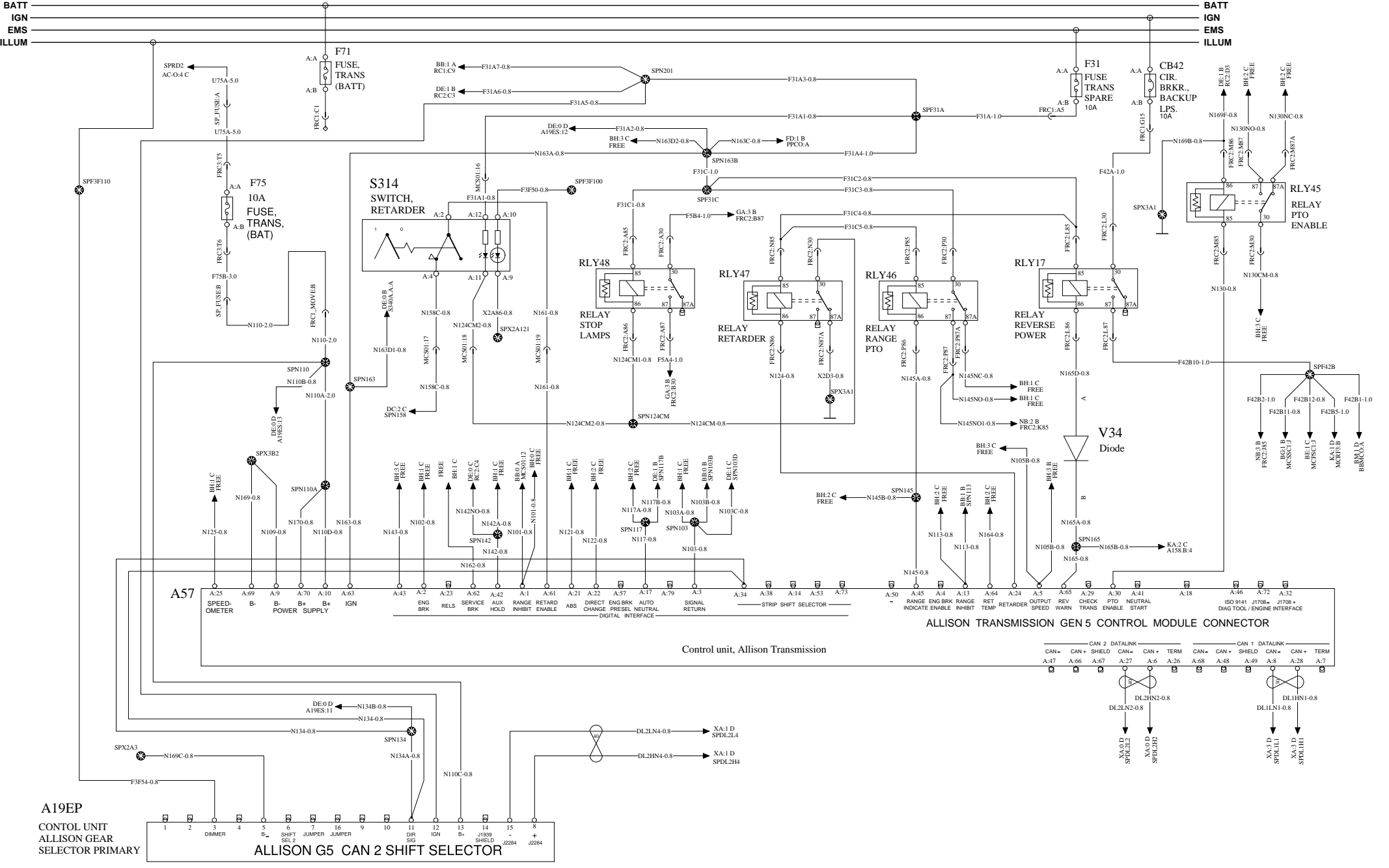
BATT
IGN
EMS
ILLUM

BATT
IGN
EMS
ILLUM



TRANSMISSION CONTROL 5th GENERATION

WIRING DIAGRAM : DD-O



MACK

Mack Trucks Inc.

Document title
WIRING DIAGRAM

Document type
PRODUCT SCHEMATIC

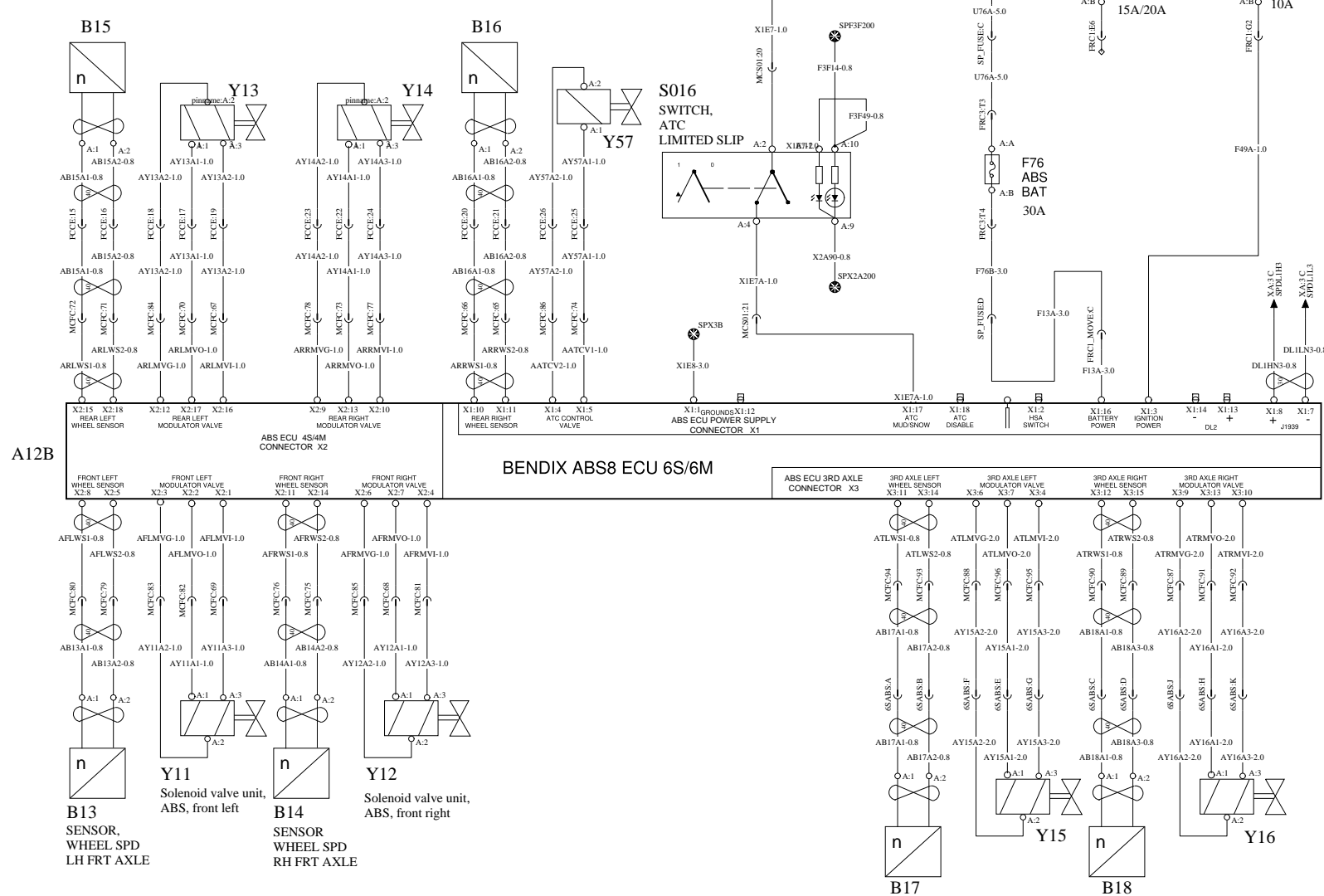
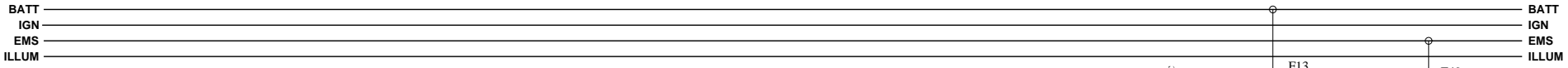
Drawing No.
22760318

Revision
04

Page
10 (23)

ABS BENDIX 8

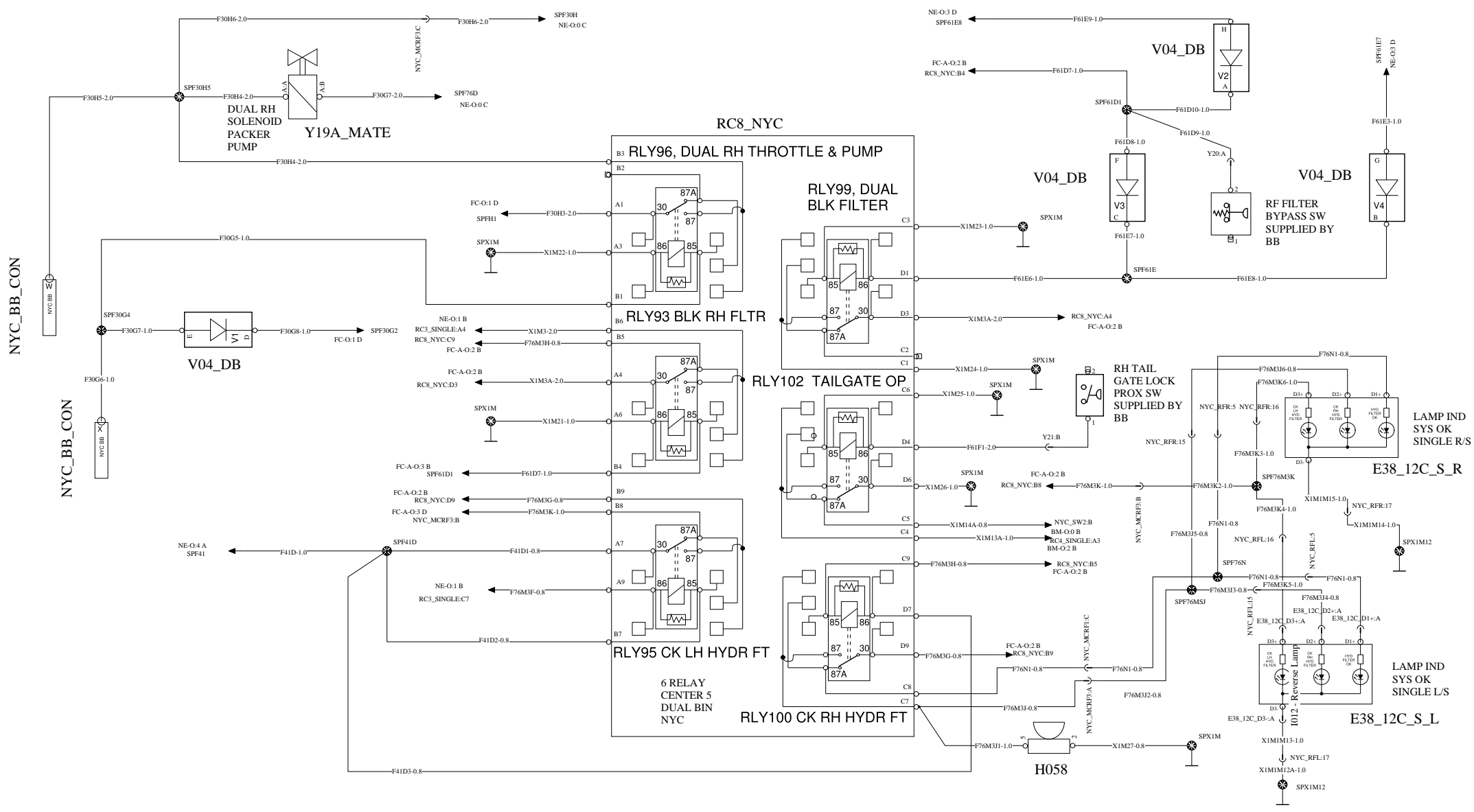
WIRING DIAGRAM:EC-O



WIRING DIAGRAM: FC-A-O

NYC_DUAL_BIN_BB

BATT
IGN
EMS
ILLUM



MACK

Mack Trucks Inc.

Document title
WIRING DIAGRAM - TYPE L1EH1 - NYC DOS

Document type
PRODUCT SCHEMATIC

Drawing No.
22760318

Revision
04

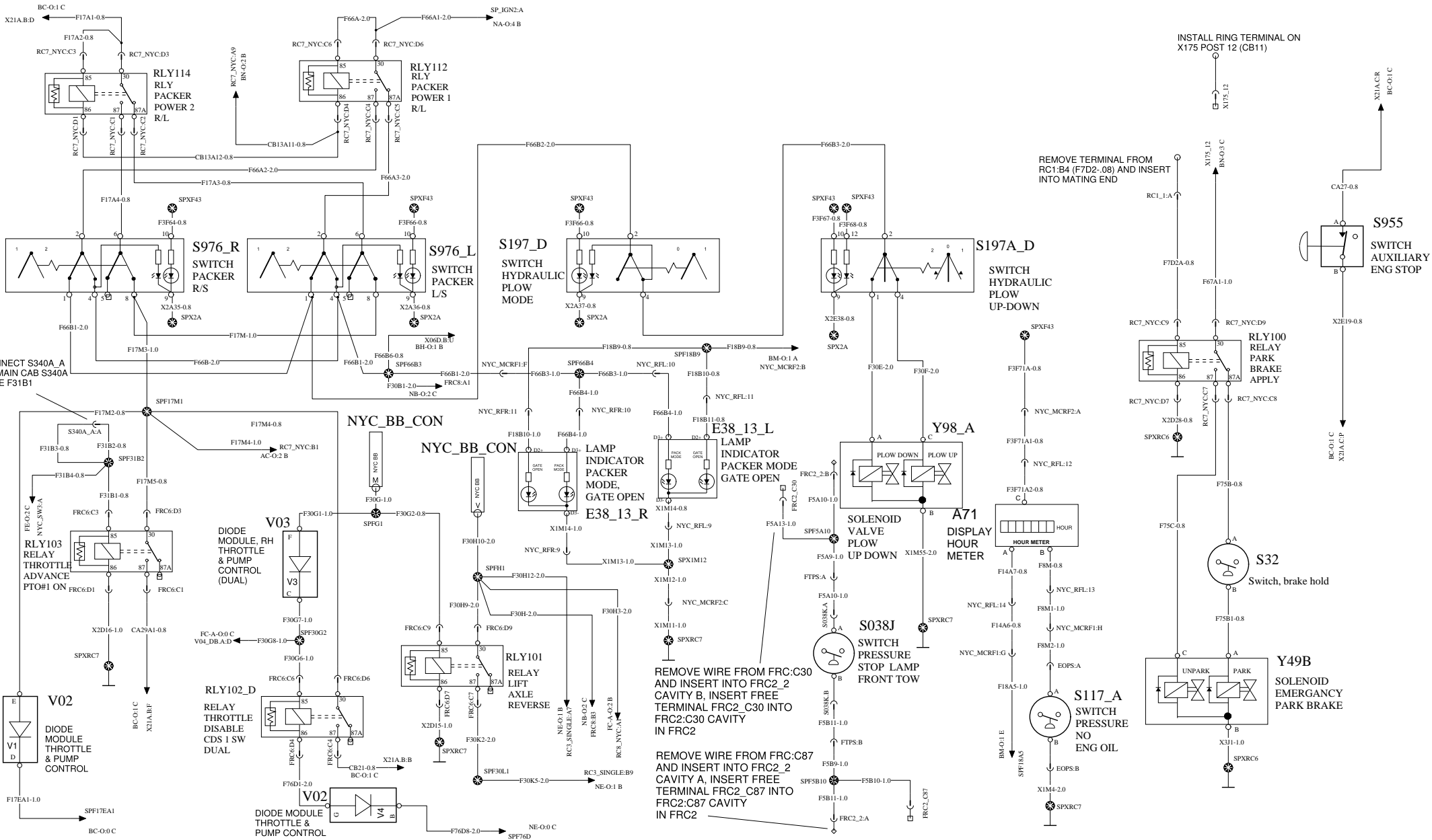
Page
12 (23)

NYC_SINGLE_DUAL_BIN_BB

WIRING DIAGRAM: FC-O

BATT
IGN
EMS
ILLUM

BATT
IGN
EMS
ILLUM



MACK

Mack Trucks Inc.

Document title
WIRING DIAGRAM - TYPE OL L1EH1 - NYC DOS

Document type
PRODUCT SCHEMATIC

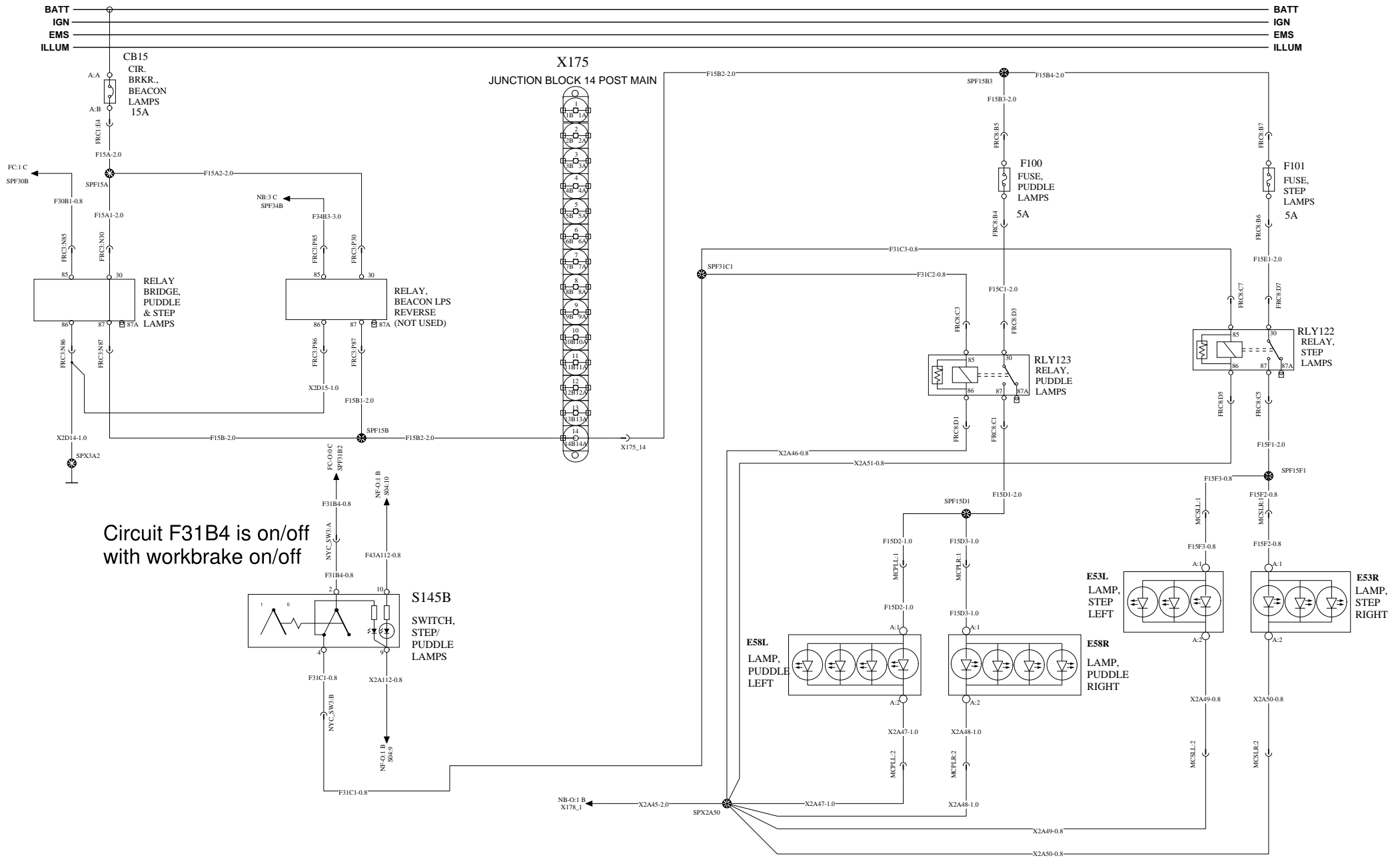
Drawing No.
22760318

Revision
04

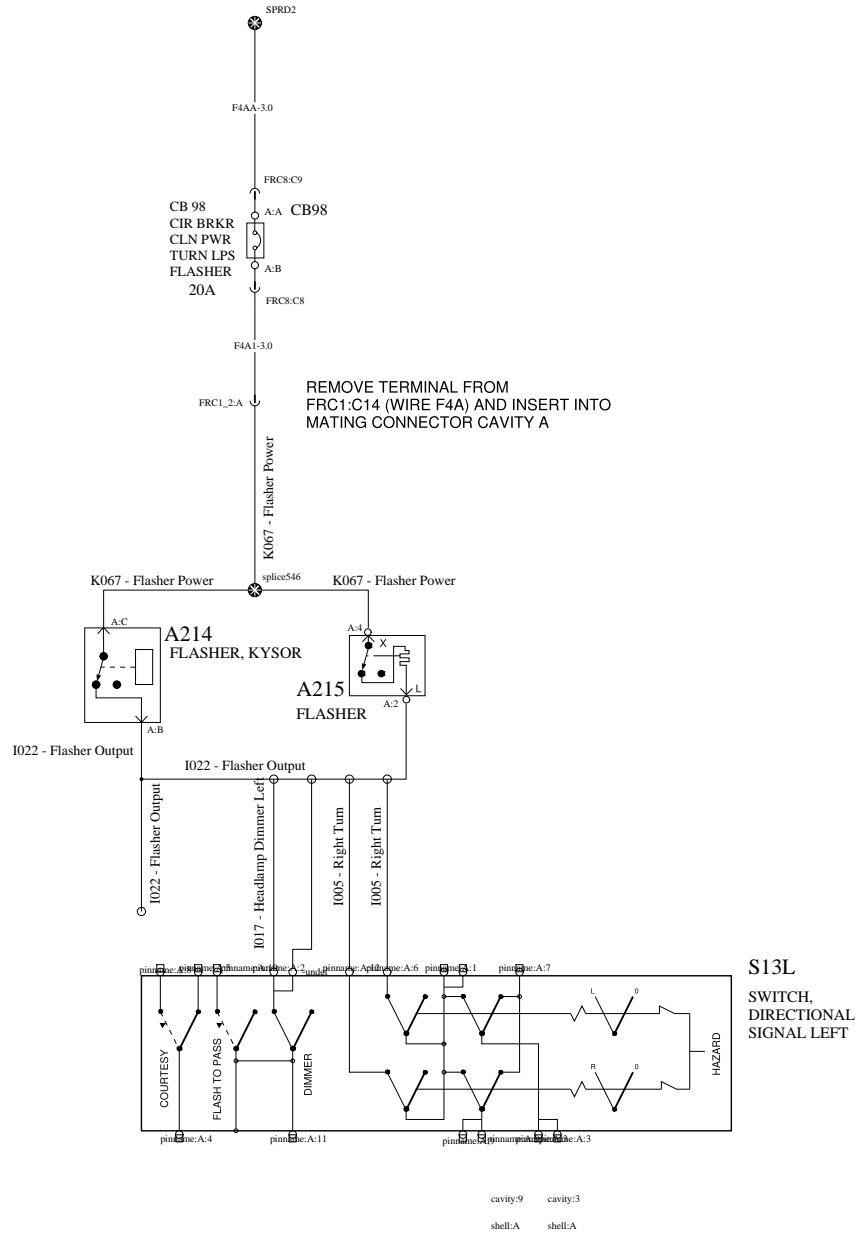
Page
13 (23)

NYC SINGLE BIN STEP & PUDDLE WORKING LAMPS

WIRING DIAGRAM: FE-O



BATT _____ BATT
 IGN _____ IGN
 EMS _____ EMS
 ILLUM _____ ILLUM

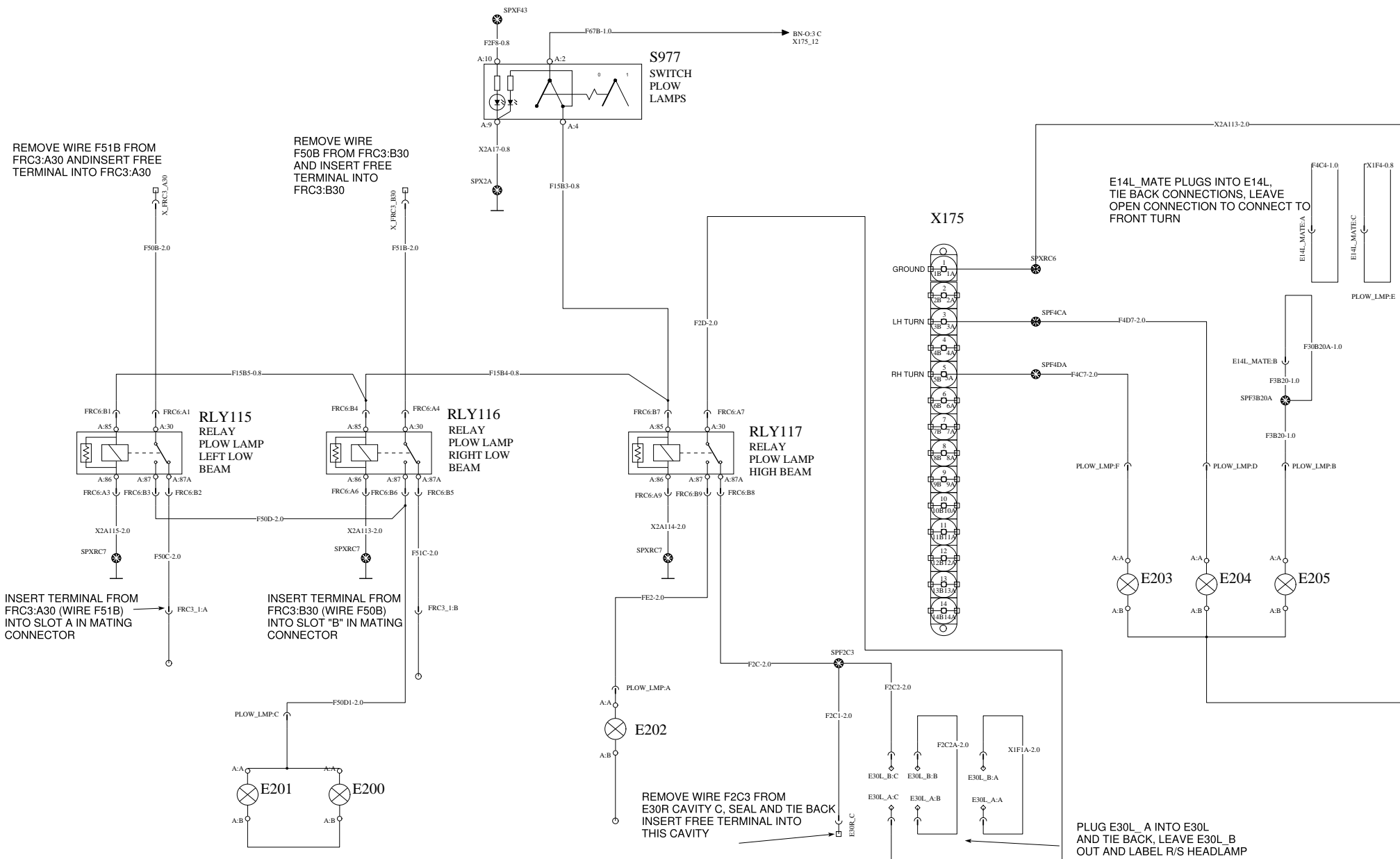


NYC_LIGHTING_PLOW_LIGHTS

WIRING DIAGRAM: GD-O

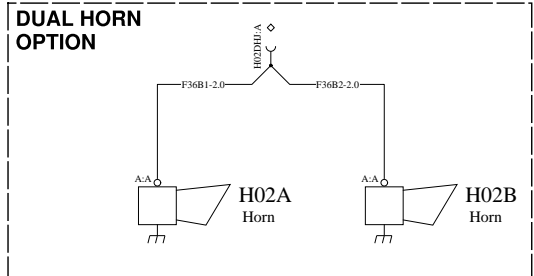
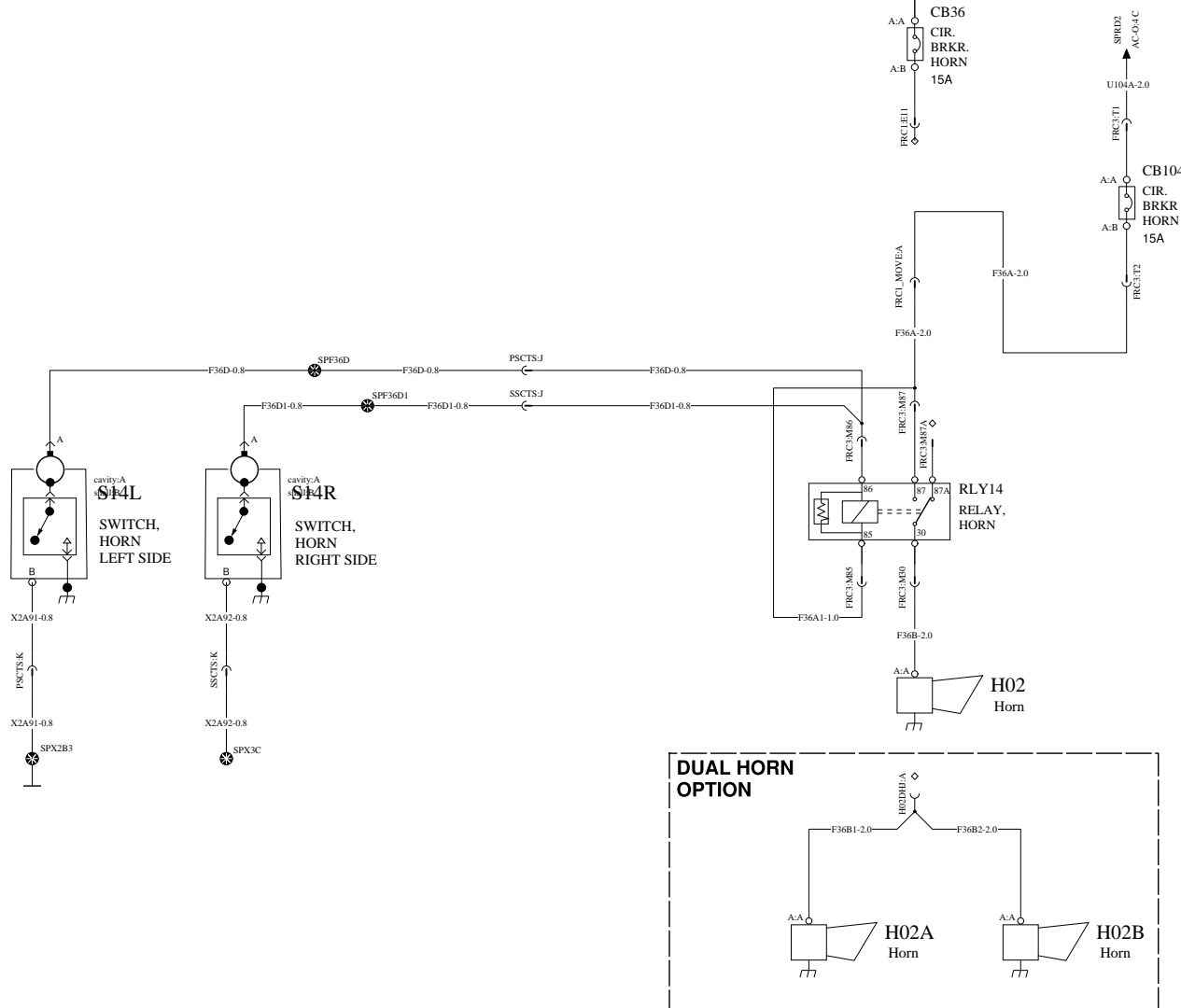
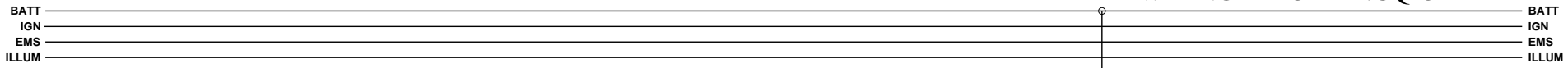
BATT
IGN
EMS
ILLUM

BATT
IGN
EMS
ILLUM



HORN WIRING

WIRING DIAGRAM:GQ-O



MACK

Mack Trucks Inc.

Document title
WIRING DIAGRAM
Document type
PRODUCT SCHEMATIC

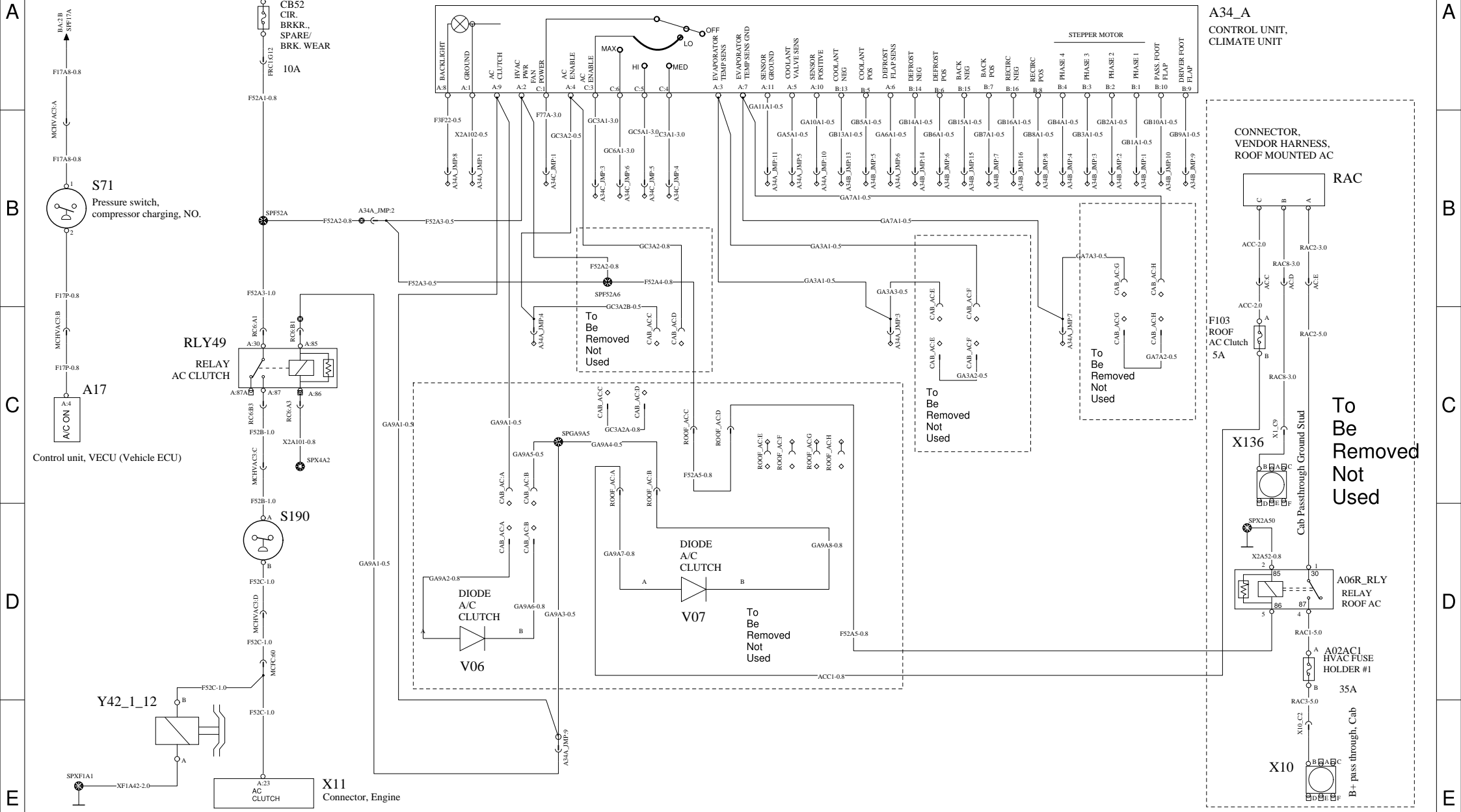
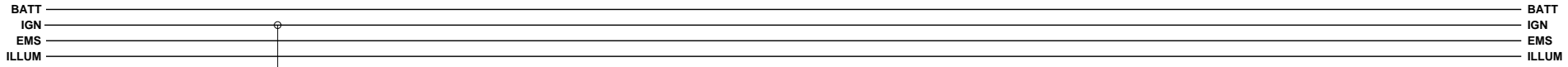
Drawing No.
22760318

Revision
04

Page
17 (23)

CLIMATE CONTROL, HVAC JUMPER & ROOF AIR

WIRING DIAGRAM: HA-O



MACK

Mack Trucks INC.

Document title
WIRING DIAGRAM - TYPE OL L1EH1 - DOS
Document type
PRODUCT SCHEMATIC

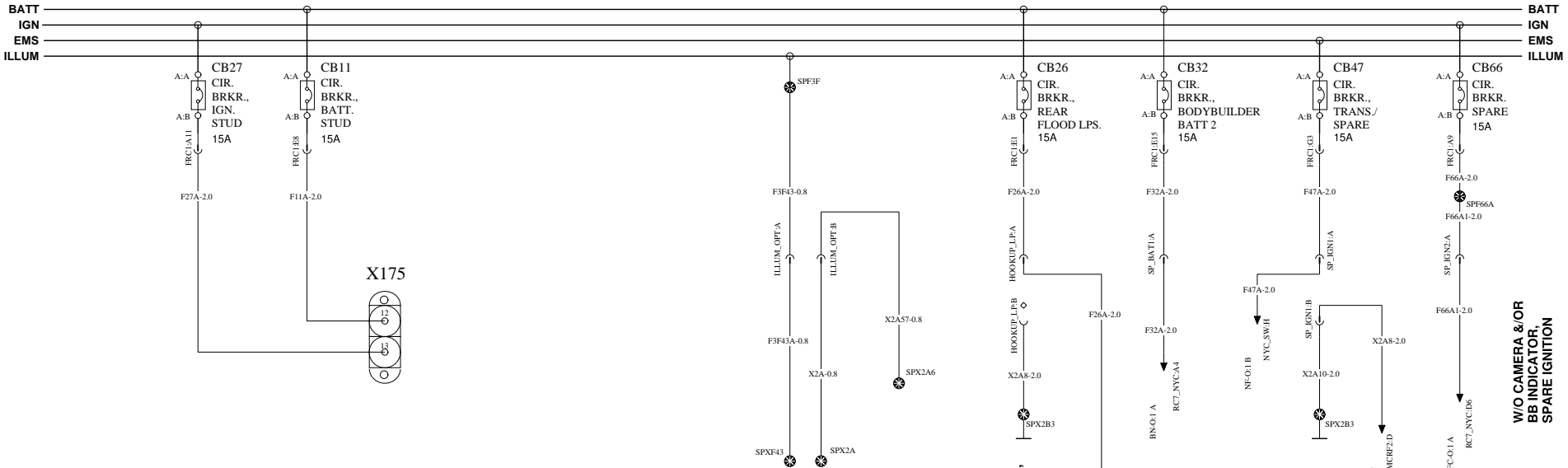
Drawing No.
22760318

Revision
04

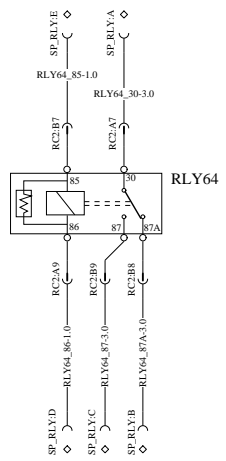
Page
18 (23)

NYC_SPARE_CONNECTORS_&_FEEDS

WIRING DIAGRAM: NA-O



X175



OPTIONAL HOOK-UP LAMPS,
OR SPARE BATTERY

OPTIONAL TRANS. OR
AUX. FAN

W/O CAMERA &/OR
BB INDICATOR,
SPARE IGNITION

MACK

Mack Trucks Inc.

Document title WIRING DIAGRAM - TYPE OL L1EH1 - NYC DOS
Document type PRODUCT SCHEMATIC

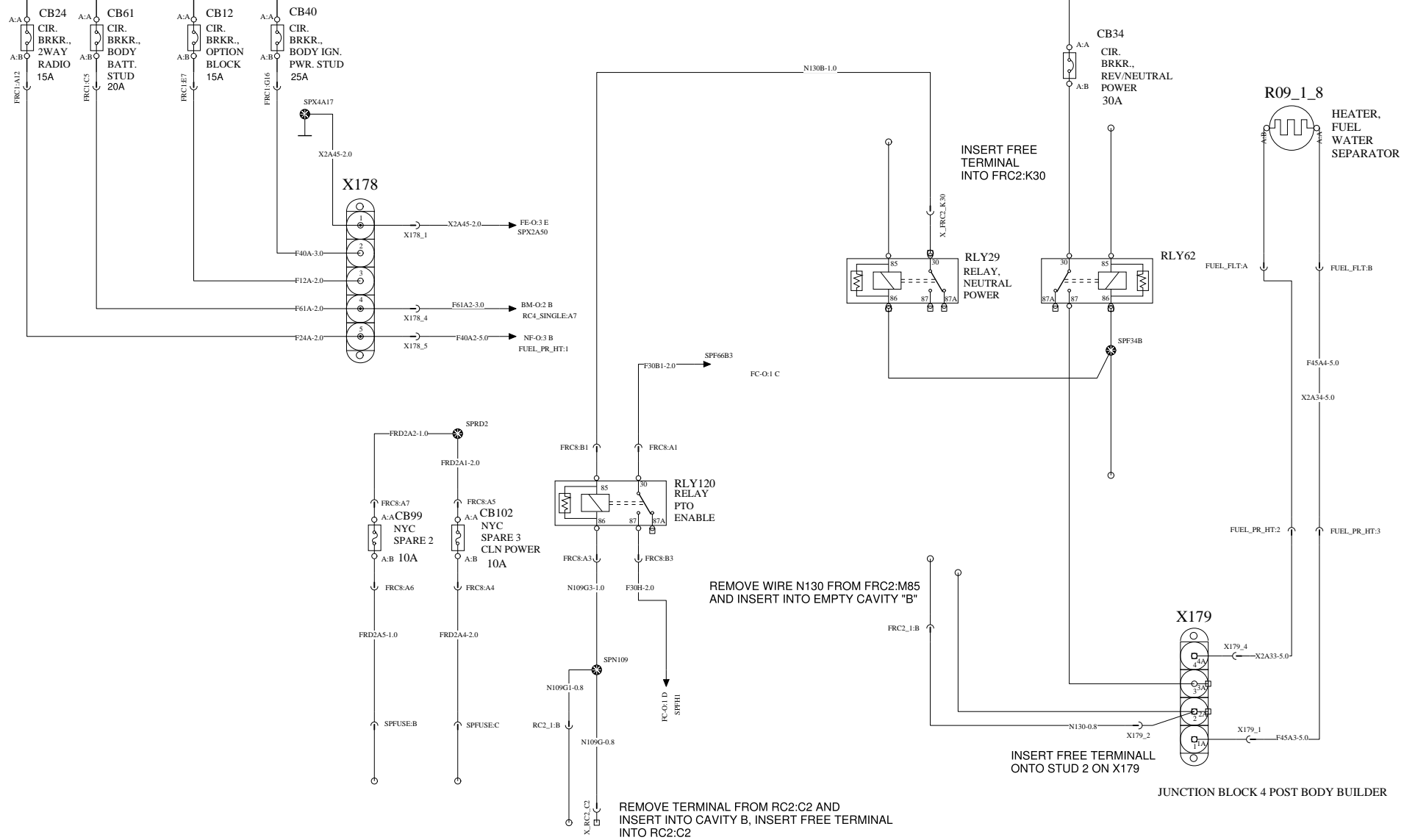
Drawing No. 22760318	Revision 04	Page 19 (23)
--------------------------------	-----------------------	------------------------

NYC_SPARES_FEEDS_V1

WIRING DIAGRAM: NB-O

BATT
IGN
EMS
ILLUM

BATT
IGN
EMS
ILLUM



MACK

Mack Trucks Inc.

Document title
WIRING DIAGRAM - TYPE OL L1EH1 - NYC DOS
Document type
PRODUCT SCHEMATIC

Drawing No.
22760318

Revision
04

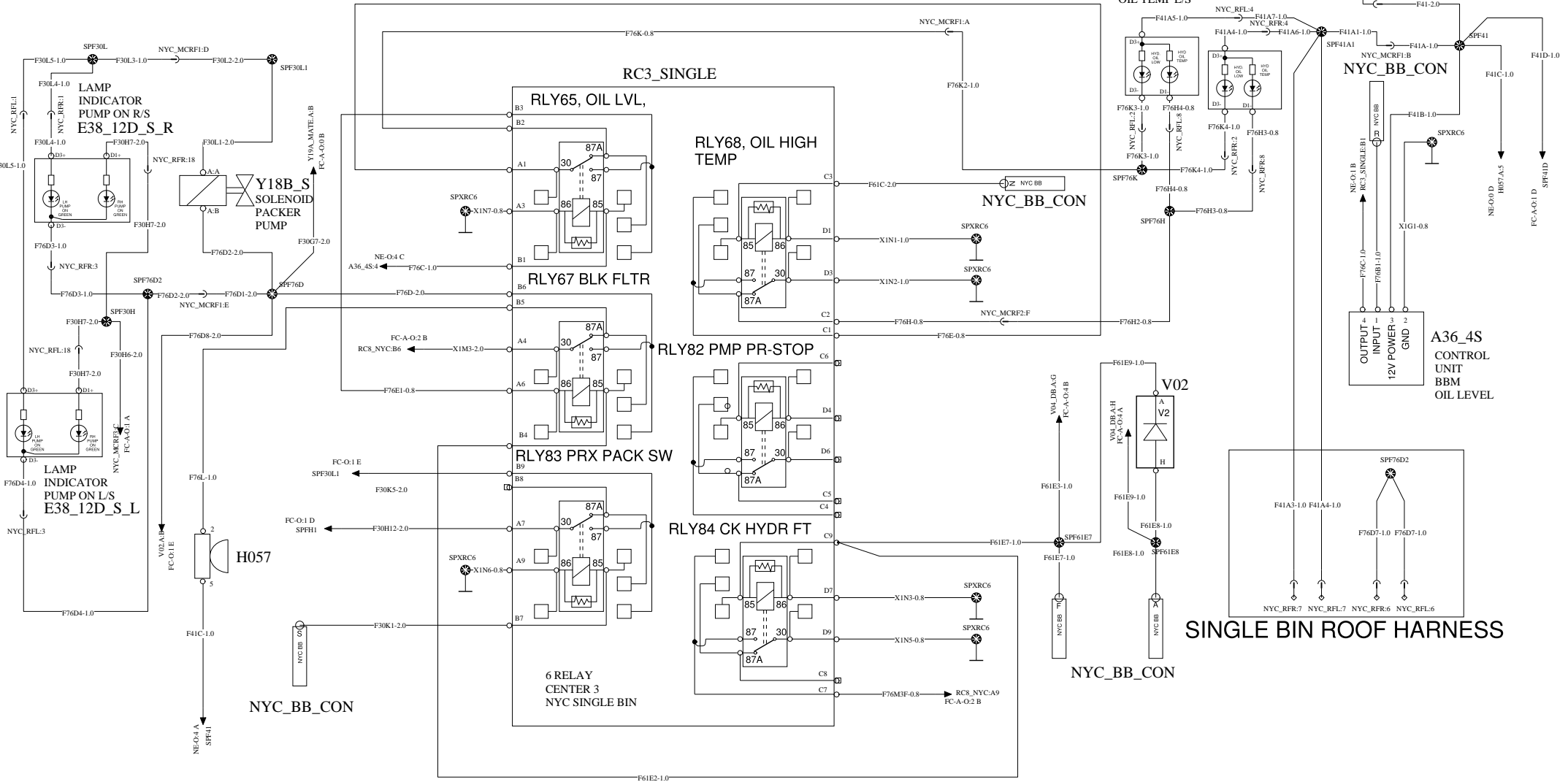
Page
20 (23)

NYC_DUAL_BIN_BB

BATT
IGN
EMS
ILLUM

WIRING DIAGRAM: NE-O

BATT
IGN
EMS
ILLUM



MACK

Mack Trucks Inc.

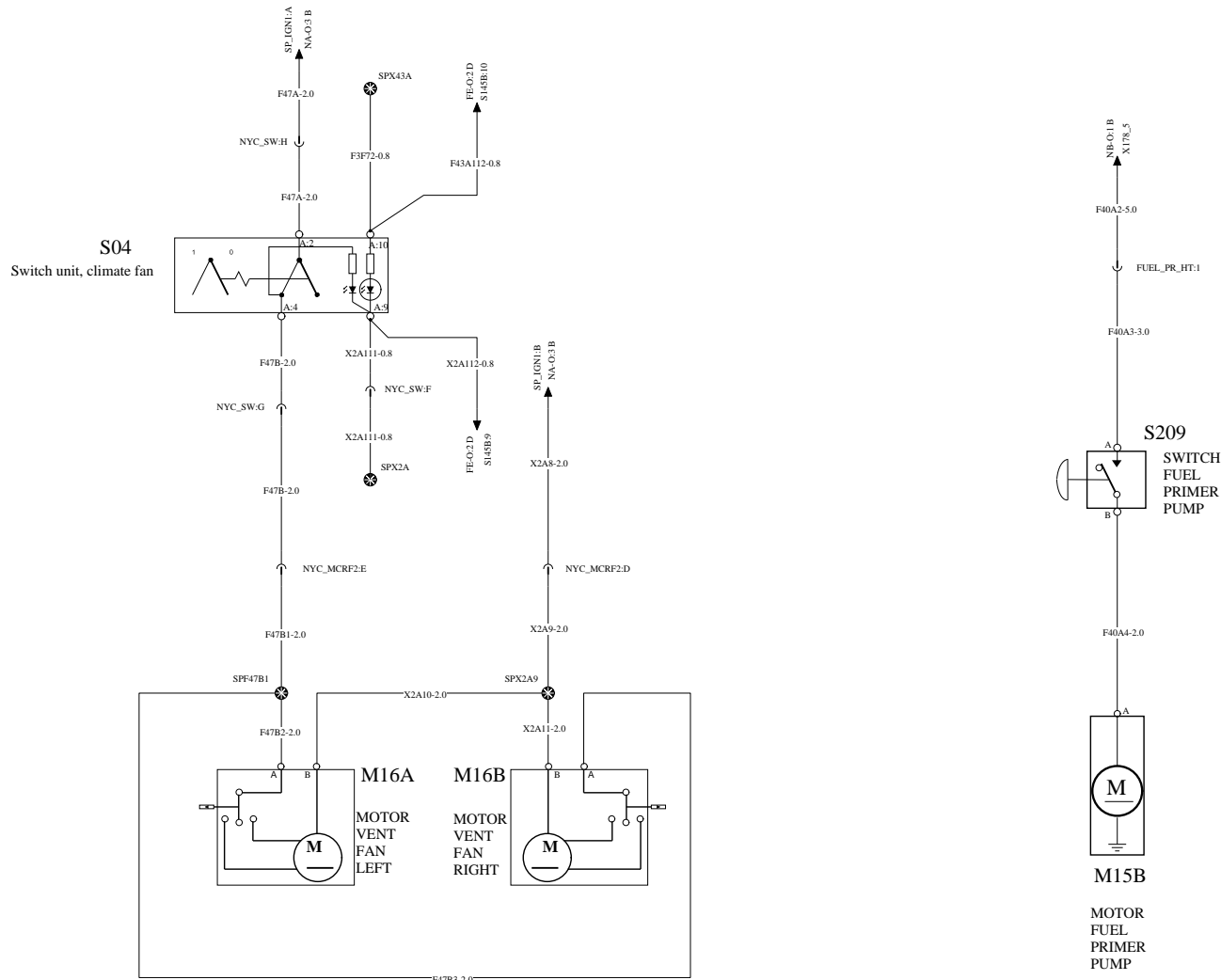
Document title
WIRING DIAGRAM - TYPE OL L1EH1 - NYC DOS
Document type
PRODUCT SCHEMATIC

Drawing No.
22760318

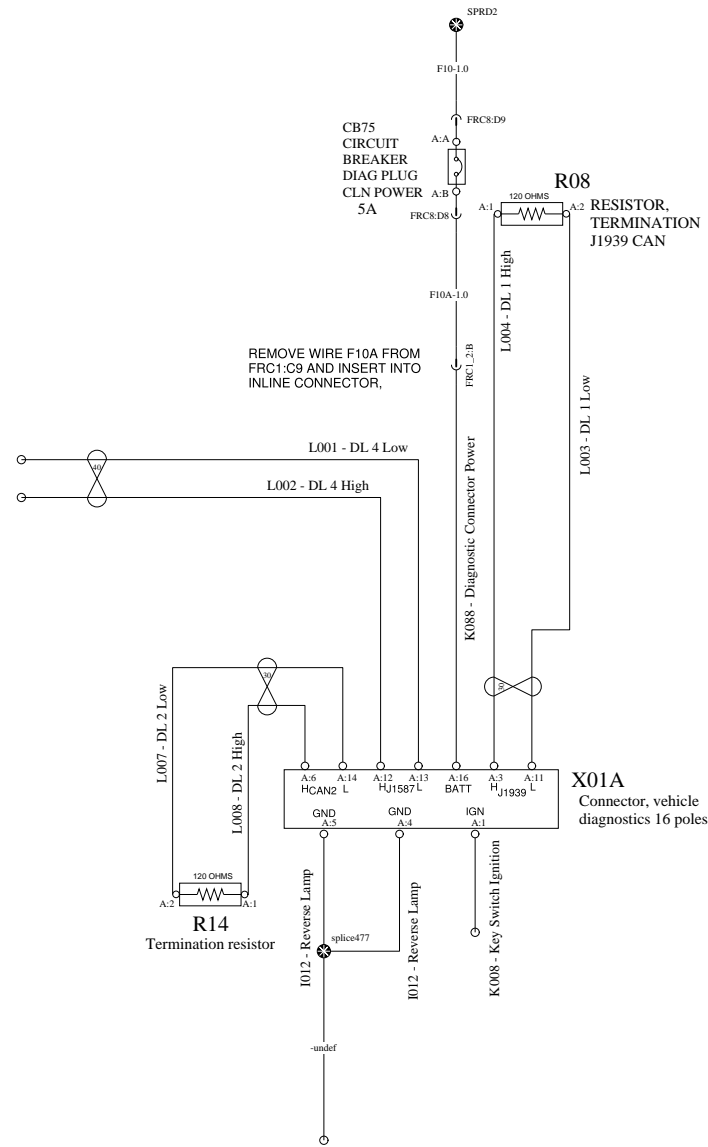
Revision
04

Page
21 (23)

BATT _____ BATT
 IGN _____ IGN
 EMS _____ EMS
 ILLUM _____ ILLUM



BATT
IGN
EMS
ILLUM



REMOVE WIRE F10A FROM FRC1:C9 AND INSERT INTO INLINE CONNECTOR,