

| | | | | | |
|----------------------------------|----------|--------------------|--------------------------|---------|--|
| Engineering Release Notice (ERN) | Location | Change Description | A = Added D = Deleted | W = Was | Document Release Status RELEASED |
| D-16275-50 | | SEE DCN | | | Date Modification Count |

WIRING DIAGRAM INDEX, 12V

| NAME | DESCRIPTION | Page | NAME | DESCRIPTION | Page |
|------|--|------|------|--|------|
| AA | POWER DISTRIBUTION 1/2 | 2 | FA | AIR DRYER / HEATED DRAIN | 26 |
| AB | POWER DISTRIBUTION 2/2 | 3 | FB | CHASSIS SOLENOIDS | 27 |
| AC-O | KEY SW., START & CHARGING | 4 | FC-O | VICKERS PUMP (PACKER & PLOW) WORKBRAKE SOLENIOD, & HOUR METER | 28 |
| AD | GROUNDING | 5 | FD | PARKER PTO | 29 |
| BA | VEHICLE ECU 1/4 | 6 | GA-O | LIGHTING CONTROLS | 30 |
| BB | VEHICLE ECU 2/4 | 7 | GD-O | LIGHTING - FORWARD / SIGNAL WITH PLOW LAMP PROVISION | 31 |
| BC | VEHICLE ECU 3/4 | 8 | GF | LIGHTING - TAIL LAMP | 32 |
| BD | VEHICLE ECU 4/4 | 9 | GG | TRAILER LIGHTING CONTROL | 33 |
| BE-O | INSTRUMENT CLUSTER 1/3 | 10 | GH | LH / RH LIGHTING CONTROLS INTERIOR LIGHTING | 34 |
| BF | INSTRUMENT CLUSTER 2/3 | 11 | GP | WIPER / WASHER | 35 |
| BG | INSTRUMENT CLUSTER 3/3 | 12 | GQ | HORN WIRING | 36 |
| BH | ALLISON BODY BUILDER INTERFACE | 13 | HA | CLIMATE CONTROL US10 STYLE ROOF A/C | 37 |
| BJ | BODY LINK II CONSTRUCTION BODY BUILDER CIRCUITS | 14 | IC | MIRROR CONTROL 1/2 | 38 |
| BM | BODY LINK II REFUSE BODYBUILDER CIRCUITS | 15 | ID | MIRROR CINTROL 2/2 | 39 |
| CA-O | ENGINE INTERFACE MP7 | 16 | KA | AUDIO & VISUAL SYSTEM | 40 |
| CB | DPF CONTROL SYSTEM | 17 | KB | AUDIO SYSTEMS | 41 |
| CC | ENGINE HEATER | 18 | KC | POWER OUTLET CONNECTIONS | 42 |
| CD | AUXILLARY COOLING FANS (NOT USED) | 19 | NA-O | SPARE CONNECTORS & FEEDS | 43 |
| CF | UREA DOSING SYSTEM 1/2 | 20 | NB-O | JUNCTION POSTS | 44 |
| CH | UREA DOSING SYSTEM 2/2 | 21 | XA-O | DATA LINK / DIAGNOSTICS | 45 |
| DC | TRANSMISSION CNTR:4 GENERATION 1/3 | 22 | | | |
| DD | TRANSMISSION CNTR:4 GENERATION 2/3 | 23 | | | |
| EC-O | JUNCTION POSTS -DPF | 24 | | | |
| ED | ABS8 BENDIX | 25 | | | |

The copying, distribution and utilization of this document as well as the communication of its contents to others without expressed authorization is prohibited. Offenders will be held liable for payment of damages. All rights reserved in the event of the grant of a patent, utility model or ornamental design registration.

Document Title
**WIRING DIAGRAM
OM (MRU) 2014 - SCHEMATIC
N. Y. CITY SANITATION**

MACK

Mack Trucks, Inc.

Document Type
TECHNICAL REGULATION

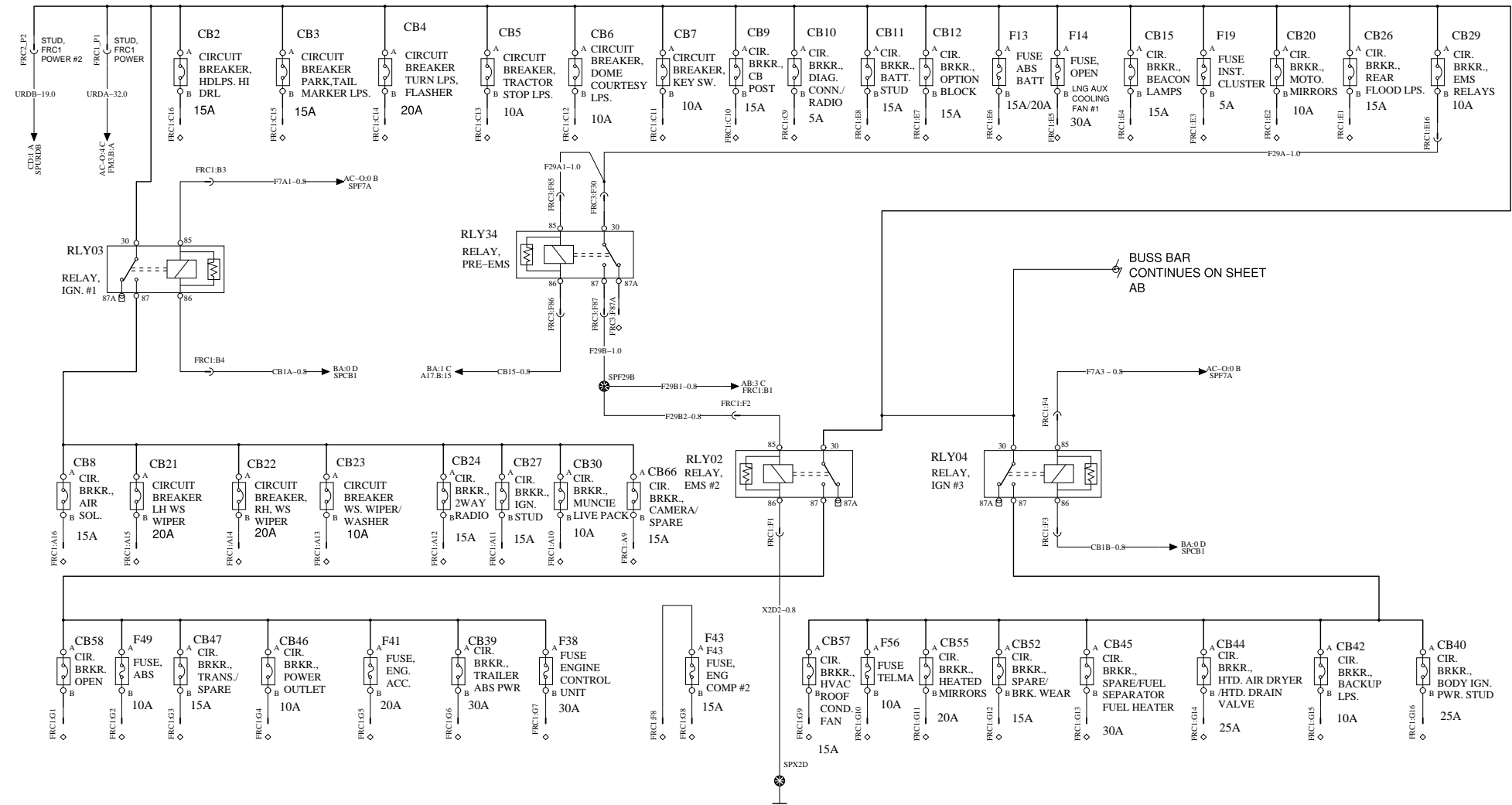
Owner Domain: Document Prefix

| | | | |
|-----------------|-------------|-----------|--------------|
| Document No | Issue Index | Volume No | Page No |
| 22525262 | 02 | 01 | 1(45) |

POWER DISTRIBUTION 1/2

WIRING DIAGRAM: AA

BATT
IGN
EMS
ILLUM



MACK

Mack Trucks Inc.

Document title
WIRING DIAGRAM
Document type
PRODUCT SCHEMATIC

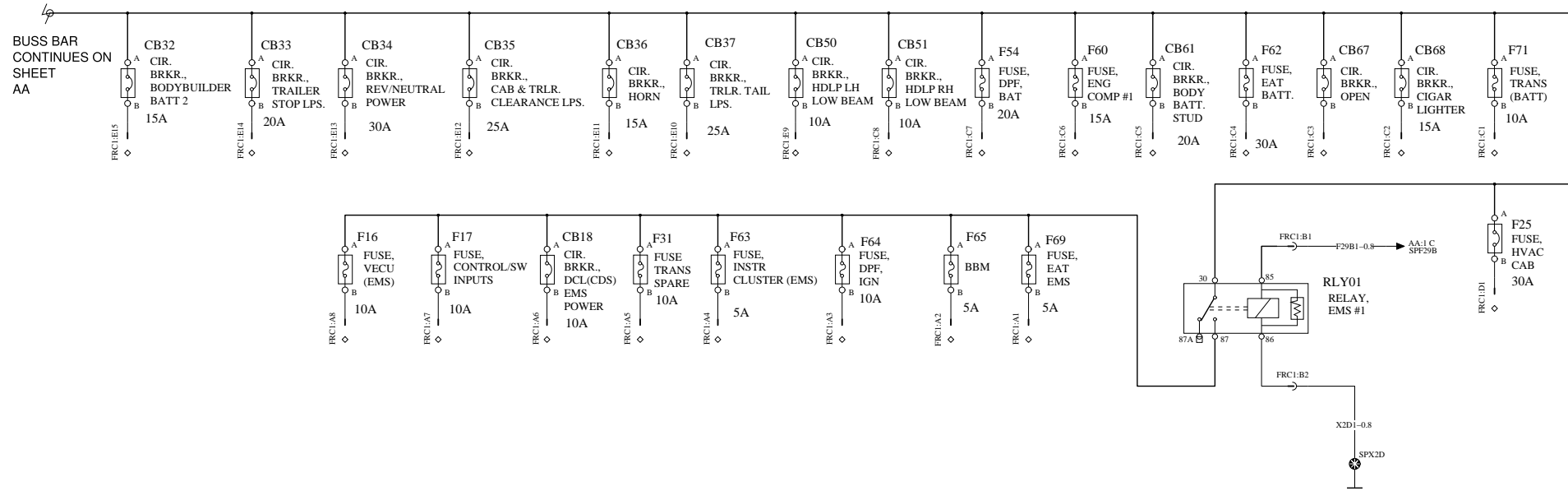
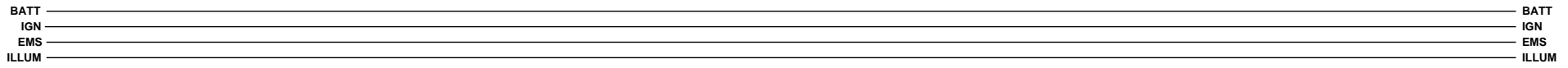
Drawing No.
22525262

Revision
02

Page
2 (45)

POWER DISTRIBUTION 2/2

WIRING DIAGRAM: AB



MACK

Mack Trucks Inc.

Document title
WIRING DIAGRAM

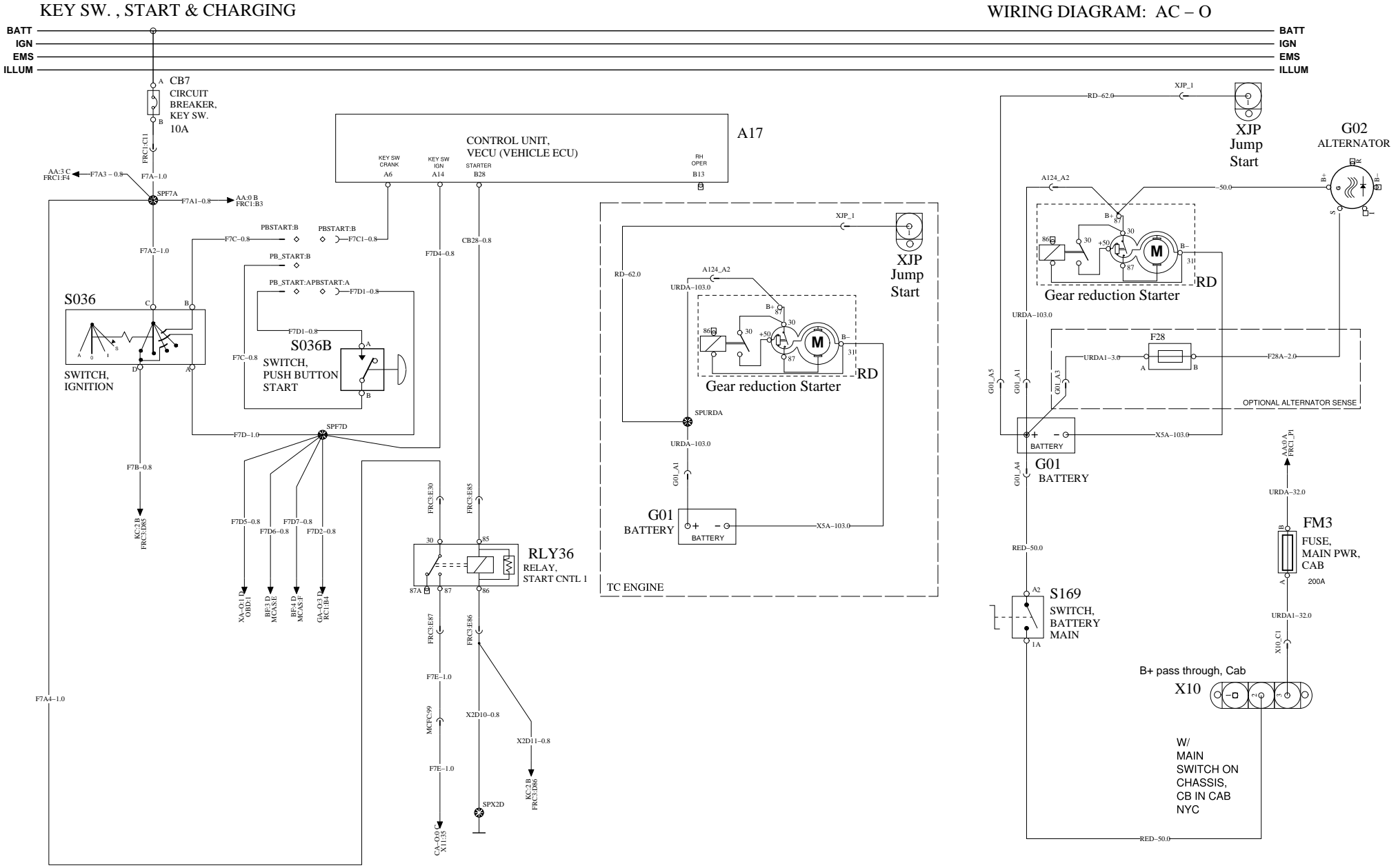
Document type
PRODUCT SCHEMATIC

Drawing No.
22525262

Revision
02

Page
3 (45)

WIRING DIAGRAM: AC - O



MACK

Mack Trucks Inc.

Document title
WIRING DIAGRAM

Document type
PRODUCT SCHEMATIC

Drawing No.
22525262

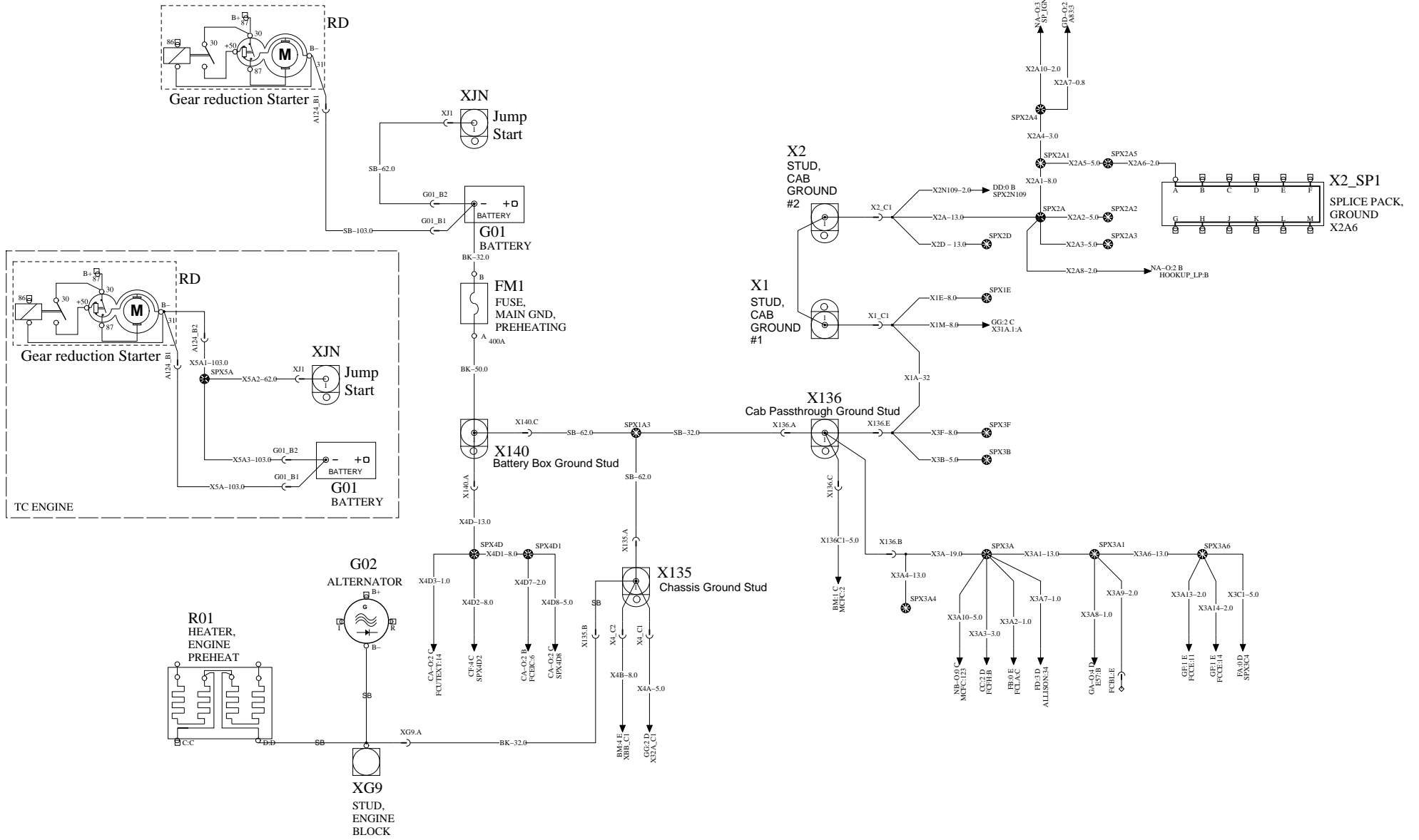
Revision
02

Page
4 (45)

GROUNDING

WIRING DIAGRAM: AD

BATT
IGN
EMS
ILLUM



MACK

Mack Trucks Inc.

Document title
WIRING DIAGRAM
Document type
PRODUCT SCHEMATIC

Drawing No.
22525262

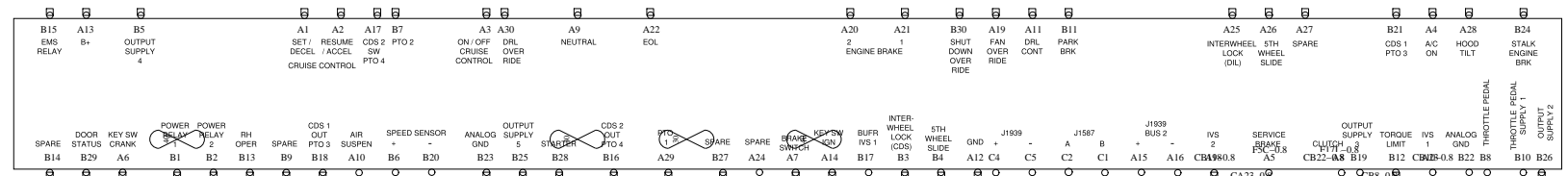
Revision
02

Page
5 (45)

WIRING DIAGRAM: BB

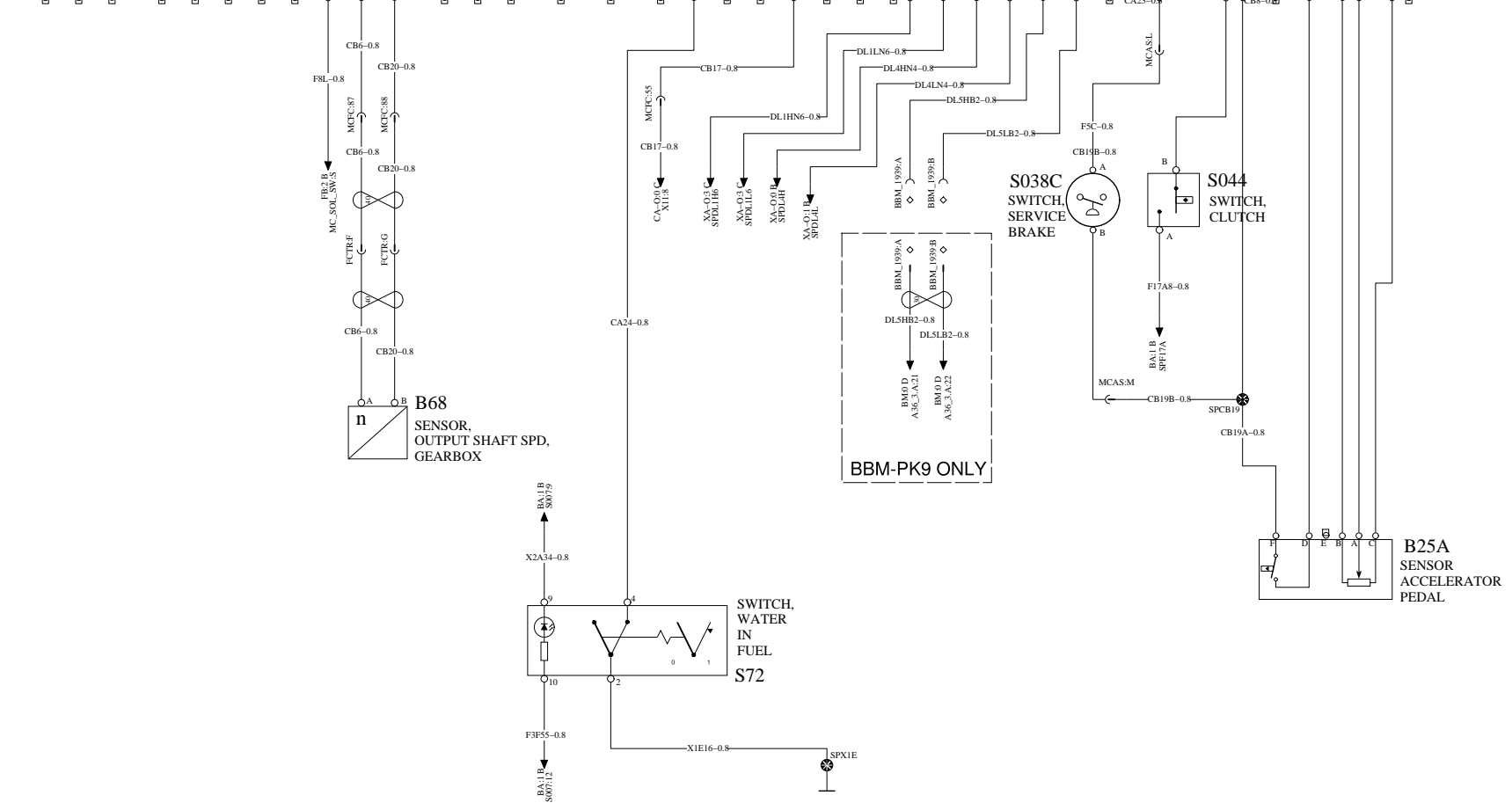
VEHICLE ECU 2/4

BATT
IGN
EMS
ILLUM



A17

CONTROL UNIT, VECU (VEHICLE ECU)



MACK

Mack Trucks Inc.

Document title
WIRING DIAGRAM
Document type
PRODUCT SCHEMATIC

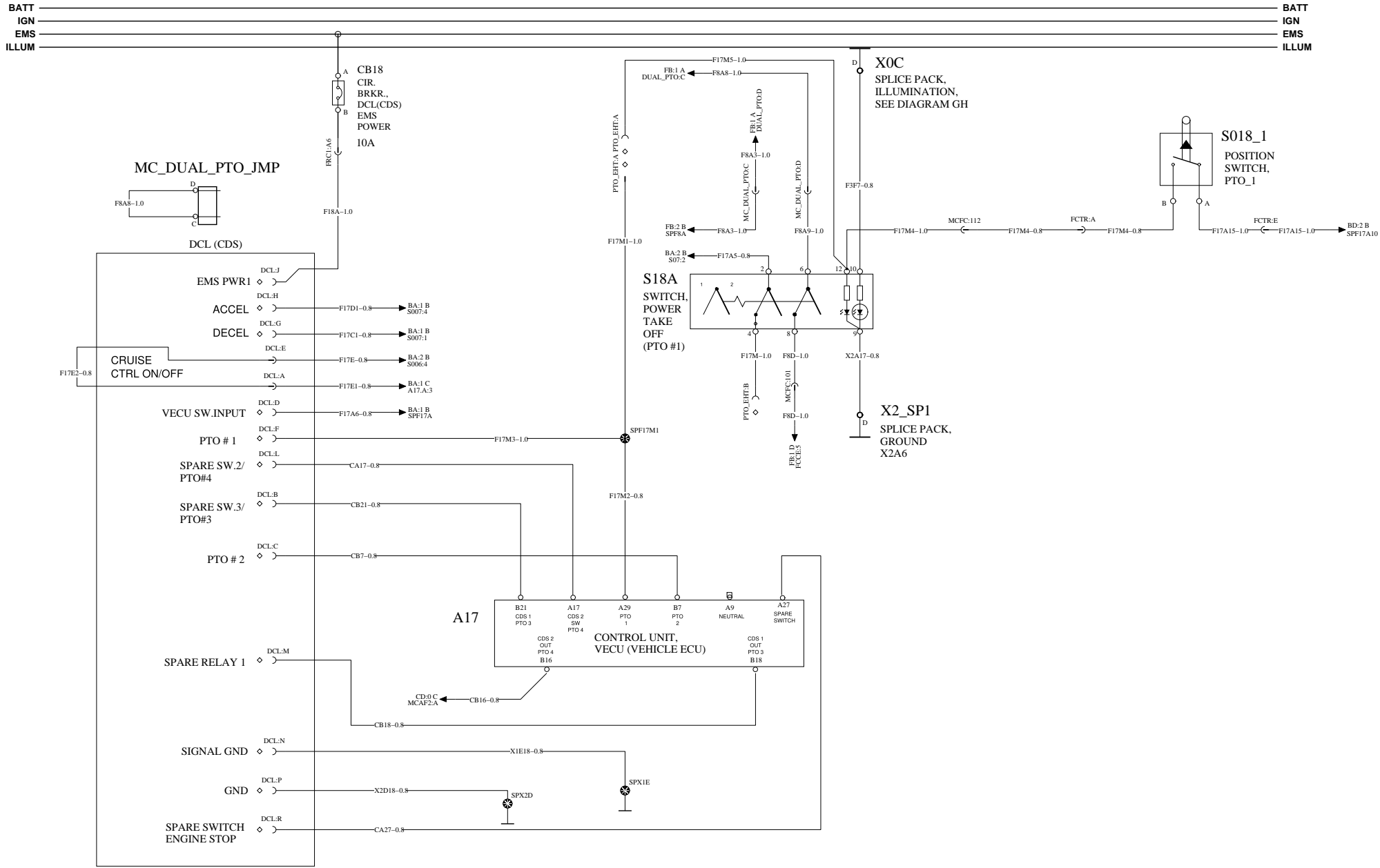
Drawing No.
22525262

Revision
02

Page
7 (45)

VEHICLE ECU 3/4 - DCL CONNECTOR

WIRING DIAGRAM: BC



MACK

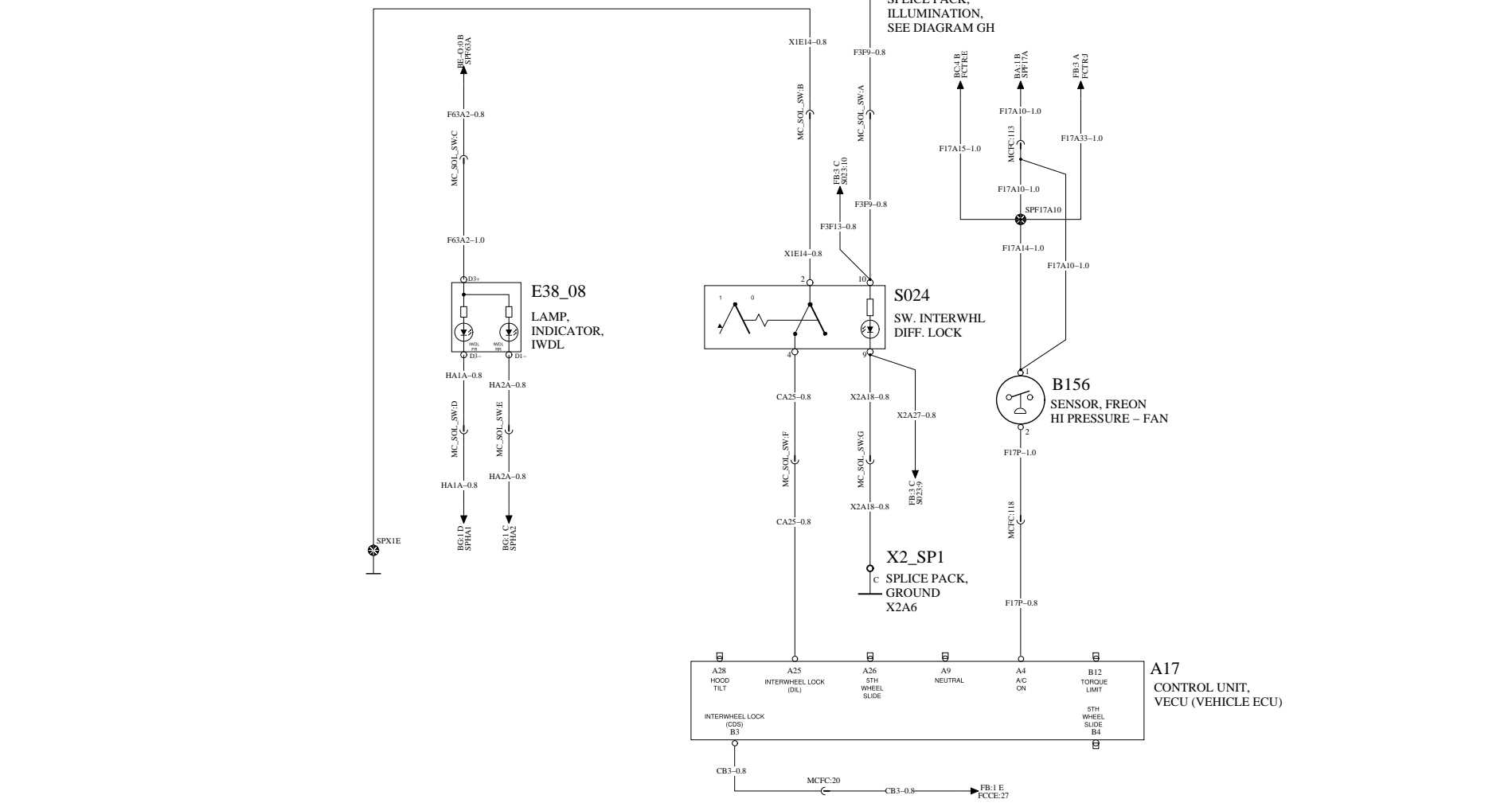
Mack Trucks Inc.

| | |
|----------------|-------------------|
| Document title | WIRING DIAGRAM |
| Document type | PRODUCT SCHEMATIC |

| | | | | | |
|-------------|----------|----------|----|------|--------|
| Drawing No. | 22525262 | Revision | 02 | Page | 8 (45) |
|-------------|----------|----------|----|------|--------|

BATT
 IGN
 EMS
 ILLUM

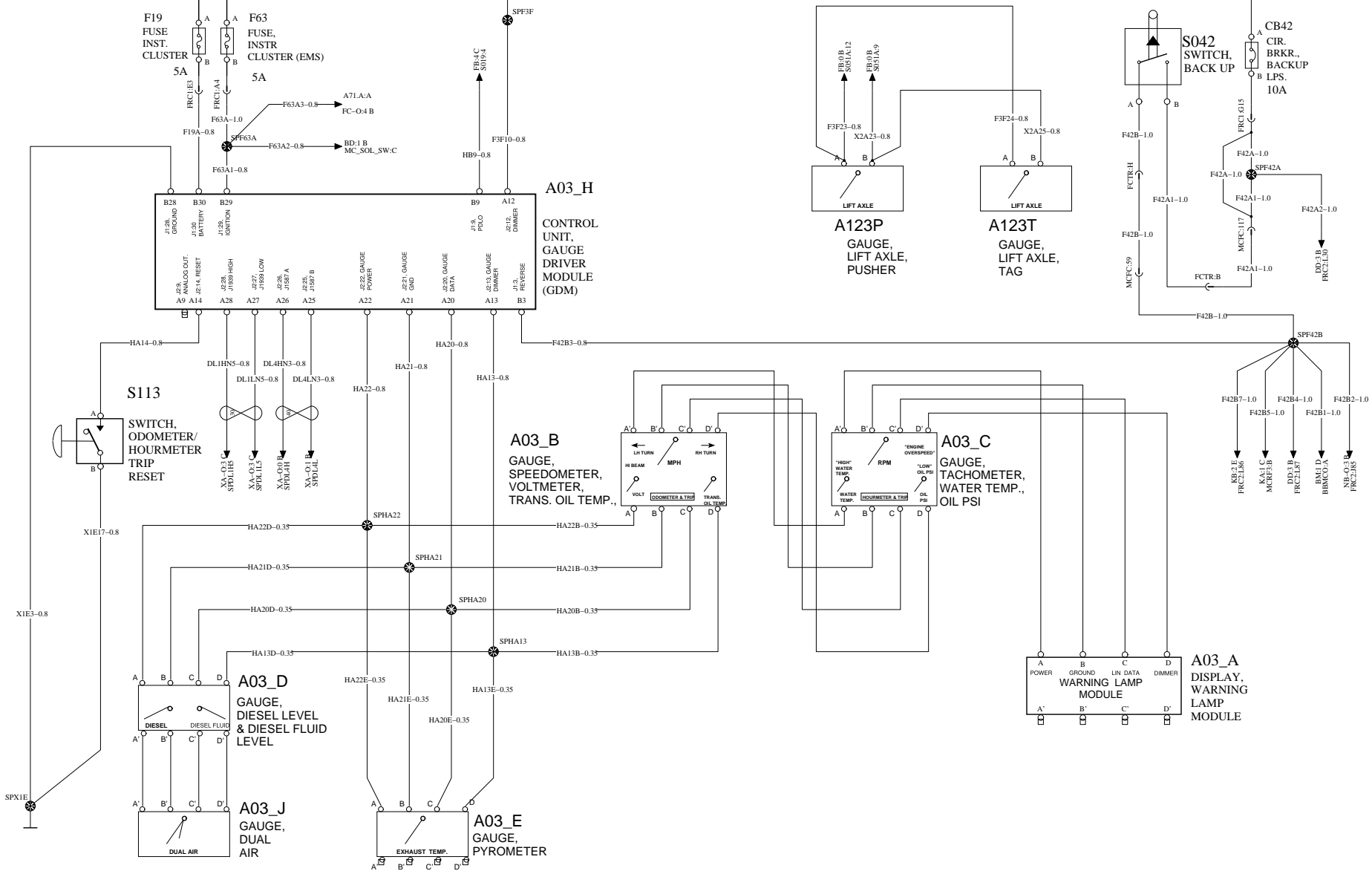
BATT
 IGN
 EMS
 ILLUM



INSTRUMENT CLUSTER 1/3

WIRING DIAGRAM: BE-0

BATT
IGN
EMS
ILLUM



MACK

Mack Trucks Inc.

Document title
WIRING DIAGRAM
Document type
PRODUCT SCHEMATIC

Drawing No.
22525262

Revision
02

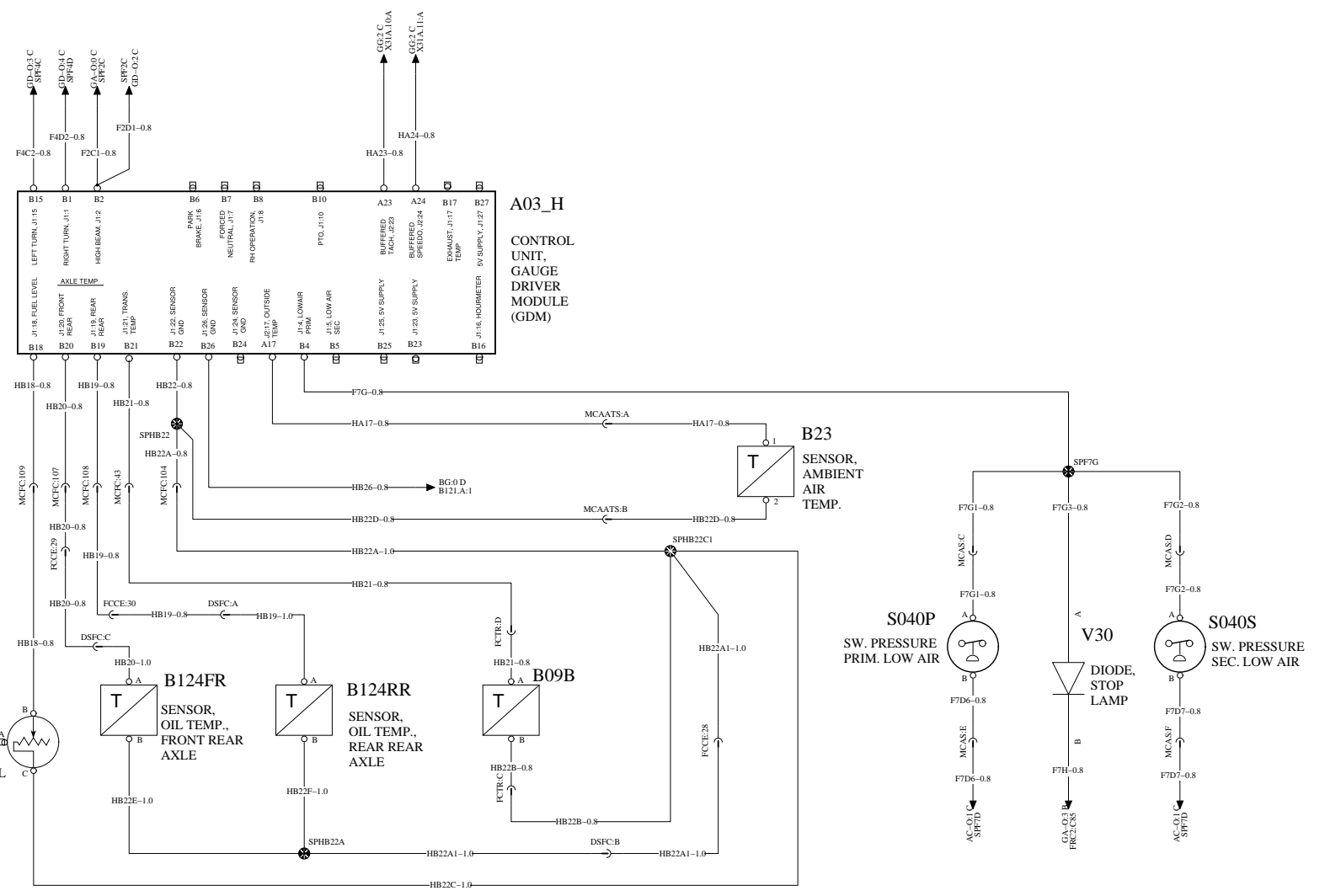
Page
10 (45)

INSTRUMENT CLUSTER 2/3

WIRING DIAGRAM: BF

BATT
IGN
EMS
ILLUM

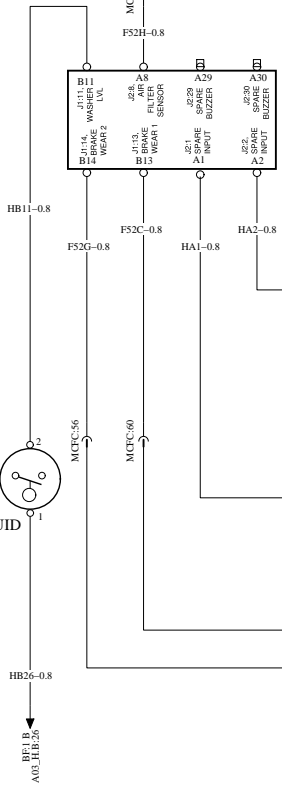
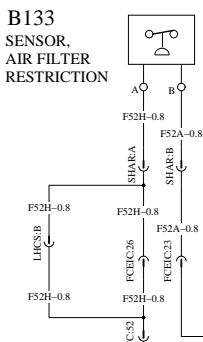
BATT
IGN
EMS
ILLUM



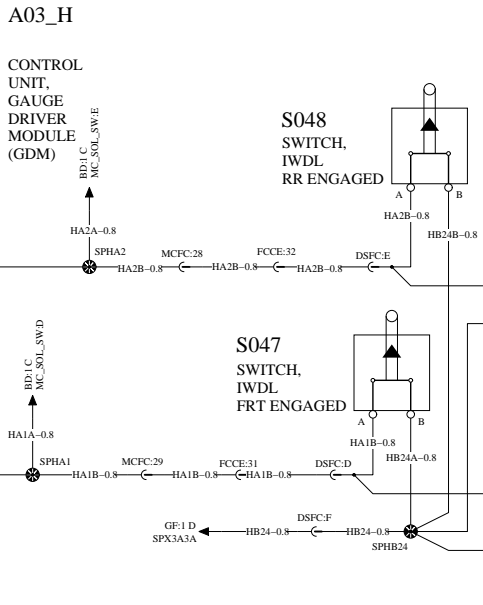
BATT
IGN
EMS
ILLUM

BATT
IGN
EMS
ILLUM

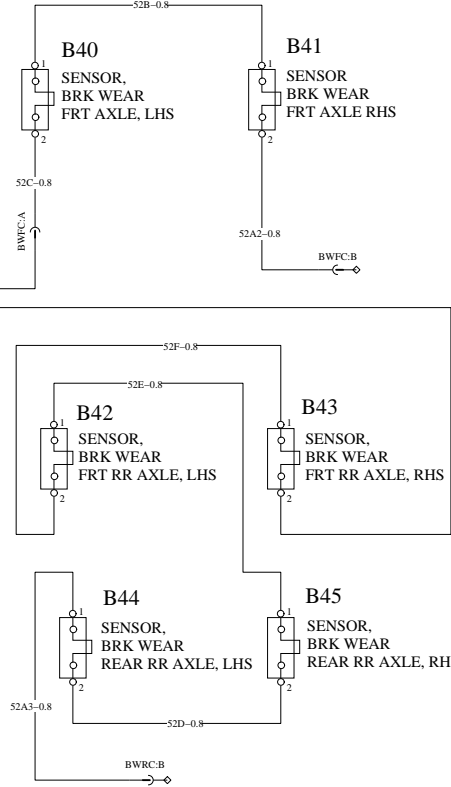
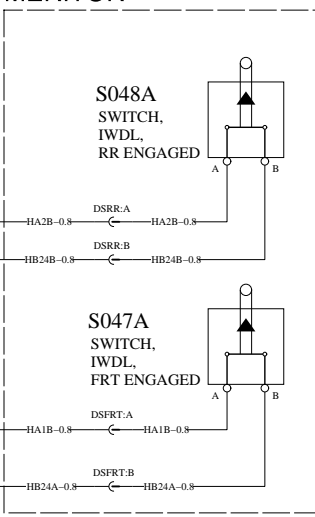
B133
SENSOR,
AIR FILTER
RESTRICTION



A03_H
CONTROL
UNIT,
GAUGE
DRIVER
MODULE
(GDM)



MERITOR



Mack Trucks Inc.

Document title
WIRING DIAGRAM
Document type
PRODUCT SCHEMATIC

Drawing No.
22525262

Revision
02

Page
12 (45)

0

1

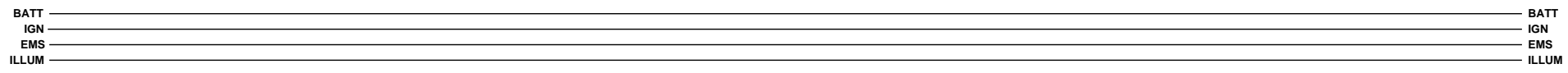
2

3

4

ALLISON BODY BUILDER INTERFACE

WIRING DIAGRAM: BH



A

A

B

B

C

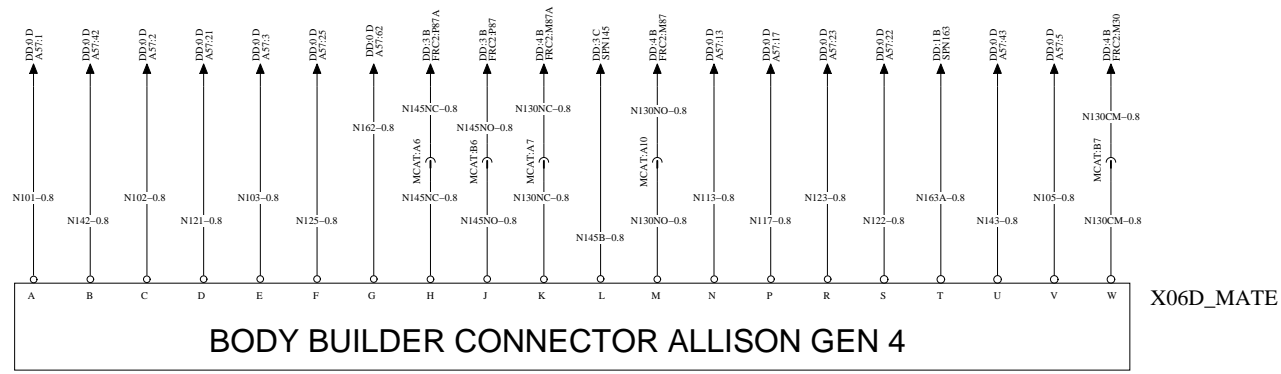
C

D

D

E

E



MACK

Mack Trucks Inc.

| |
|------------------------------------|
| Document title WIRING DIAGRAM |
| Document type PRODUCT SCHEMATIC |

| |
|-------------------------|
| Drawing No. 22525262 |
|-------------------------|

| |
|----------------|
| Revision 02 |
|----------------|

| |
|-----------------|
| Page 13 (45) |
|-----------------|

0

1

2

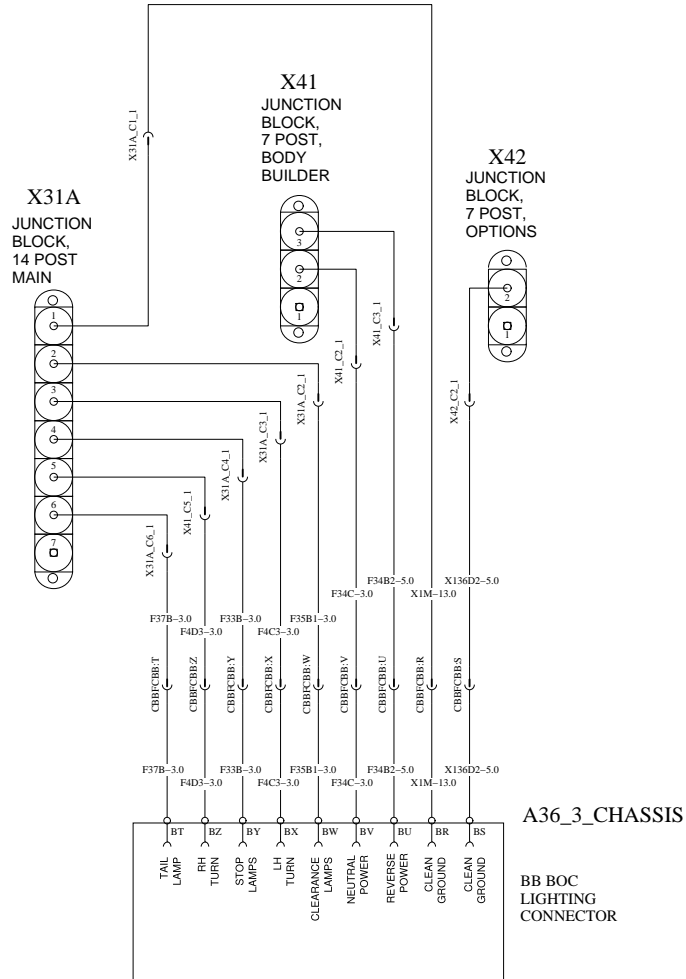
3

4

BODY LINK II CONSTRUCTION BODYBUILDER CIRCUITS

BJ

BATT _____ BATT
 IGN _____ IGN
 EMS _____ EMS
 ILLUM _____ ILLUM



MACK

Mack Trucks Inc.

Document title
 WIRING DIAGRAM

Document type
 PRODUCT SCHEMATIC

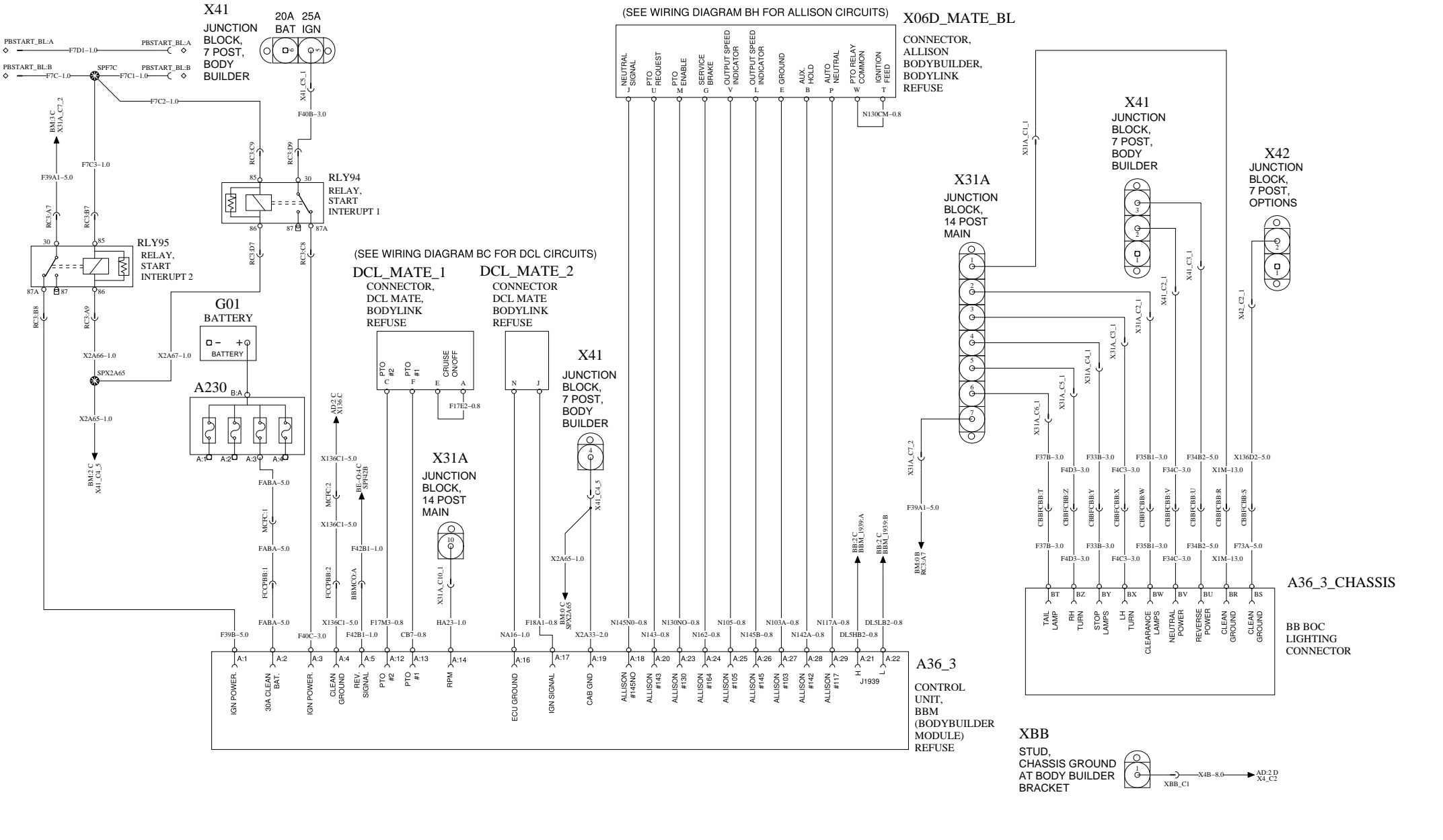
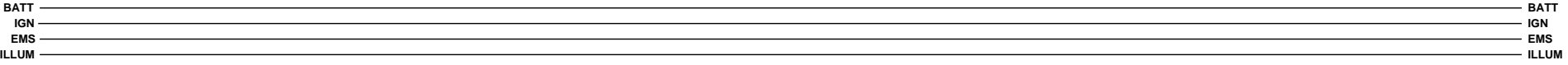
Drawing No.
 22525262

Revision
 02

Page
 14 (45)

BODY LINK II REFUSE BODYBUILDER CIRCUITS

WIRING DIAGRAM: BM



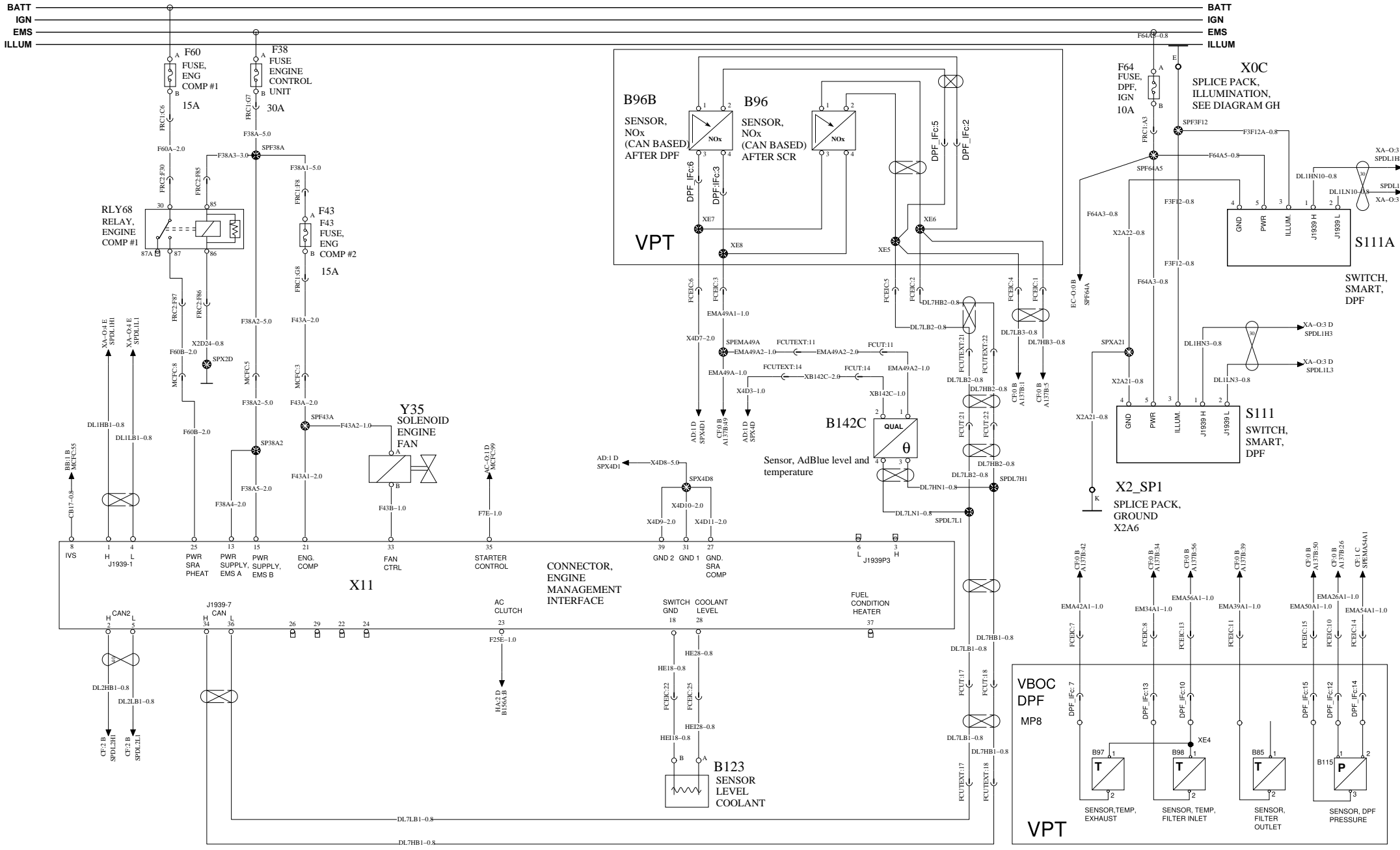
MACK

Mack Trucks Inc.

| | | | |
|------------------------------------|--------------------------|----------------|-----------------|
| Document title WIRING DIAGRAM | Document No. 22525262 | Revision 02 | Page 15 (45) |
| Document type PRODUCT SCHEMATIC | | | |

ENGINE INTERFACE MP7 & MP8

WIRING DIAGRAM: CA - O



MACK

Mack Trucks Inc.

Document title
WIRING DIAGRAM
Document type
PRODUCT SCHEMATIC

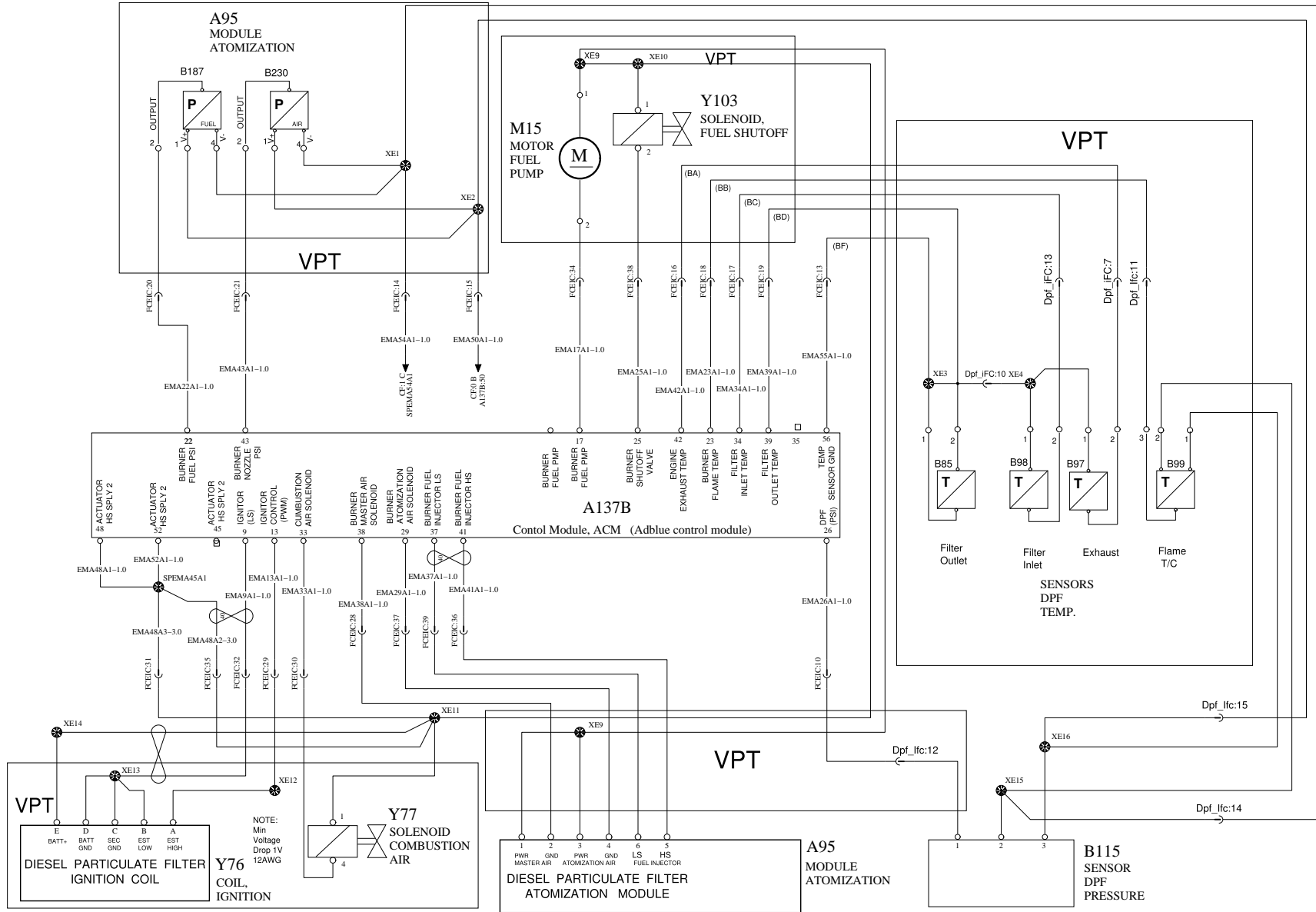
| | | |
|--------------------------------|-----------------------|------------------------|
| Drawing No. 22525262 | Revision 02 | Page 16 (45) |
|--------------------------------|-----------------------|------------------------|

DPF CONTROL SYSTEM (WITH THERMAL REDUCTION UNIT)

WIRING DIAGRAM: CB

BATT
IGN
EMS
ILLUM

BATT
IGN
EMS
ILLUM



MACK

Mack Trucks Inc.

Document title
WIRING DIAGRAM
Document type
PRODUCT SCHEMATIC

Drawing No.
22525262

Revision
02

Page
17 (45)

0

1

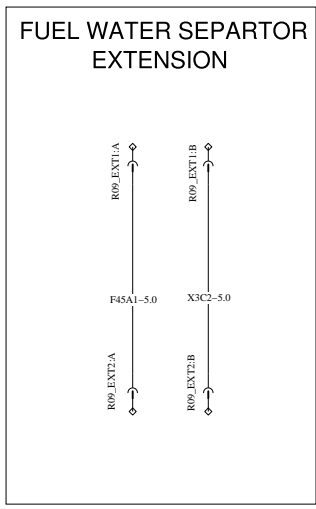
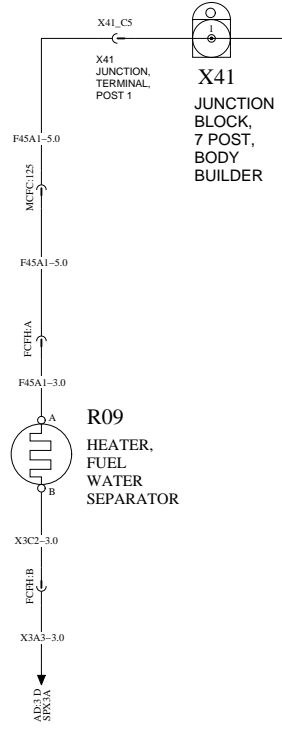
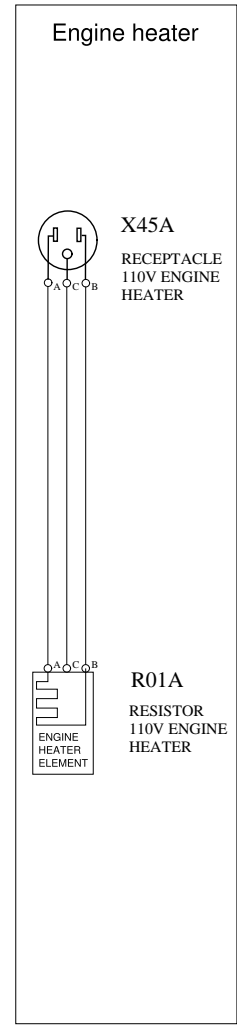
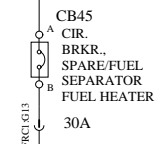
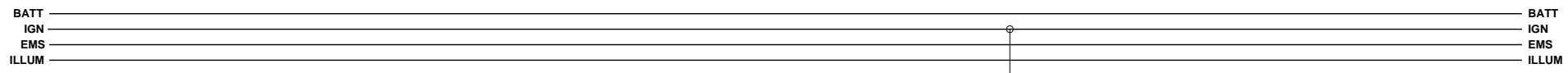
2

3

4

ENGINE/FUEL HEATER

WIRING DIAGRAM: CC



A

A

B

B

C

C

D

D

E

E

MACK

Mack Trucks Inc.

| |
|------------------------------------|
| Document title WIRING DIAGRAM |
| Document type PRODUCT SCHEMATIC |

| | | |
|-------------------------|----------------|-----------------|
| Drawing No. 22525262 | Revision 02 | Page 18 (45) |
|-------------------------|----------------|-----------------|

0

1

2

3

4

0

1

2

3

4

AUXILIARY COOLING FANS

WIRING DIAGRAM: CD

BATT _____ BATT
 IGN _____ IGN
 EMS _____ EMS
 ILLUM _____ ILLUM

A

A

B

B

C

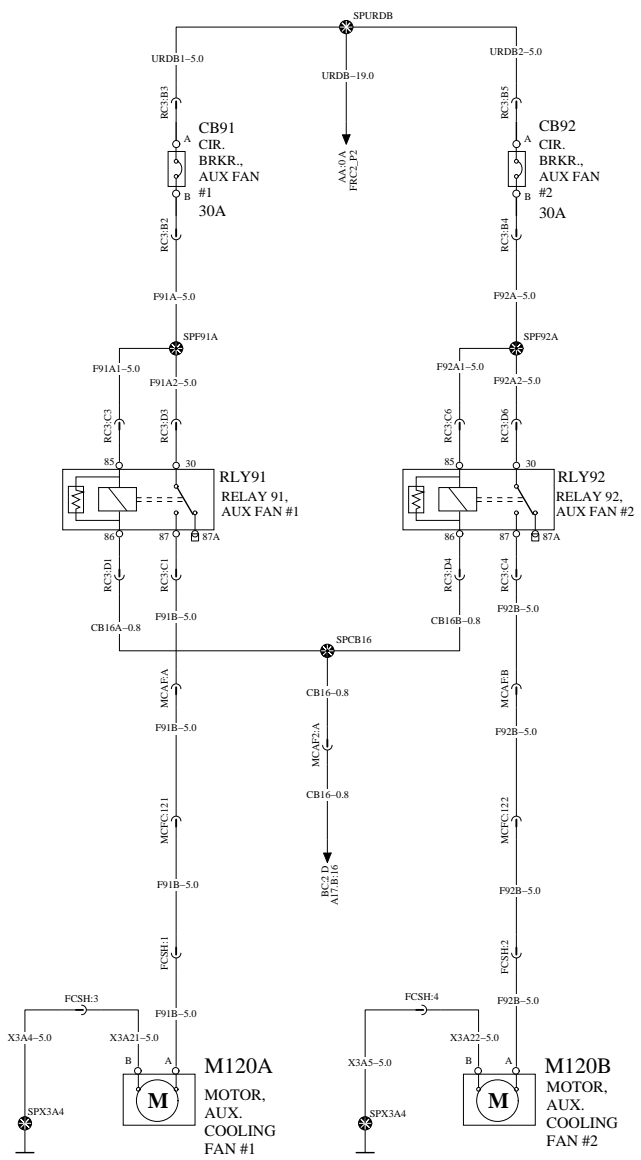
C

D

D

E

E



MACK

Mack Trucks Inc.

| |
|------------------------------------|
| Document title WIRING DIAGRAM |
| Document type PRODUCT SCHEMATIC |

| |
|--------------------------------|
| Drawing No. 22525262 |
|--------------------------------|

| |
|-----------------------|
| Revision 02 |
|-----------------------|

| |
|------------------------|
| Page 19 (45) |
|------------------------|

0

1

2

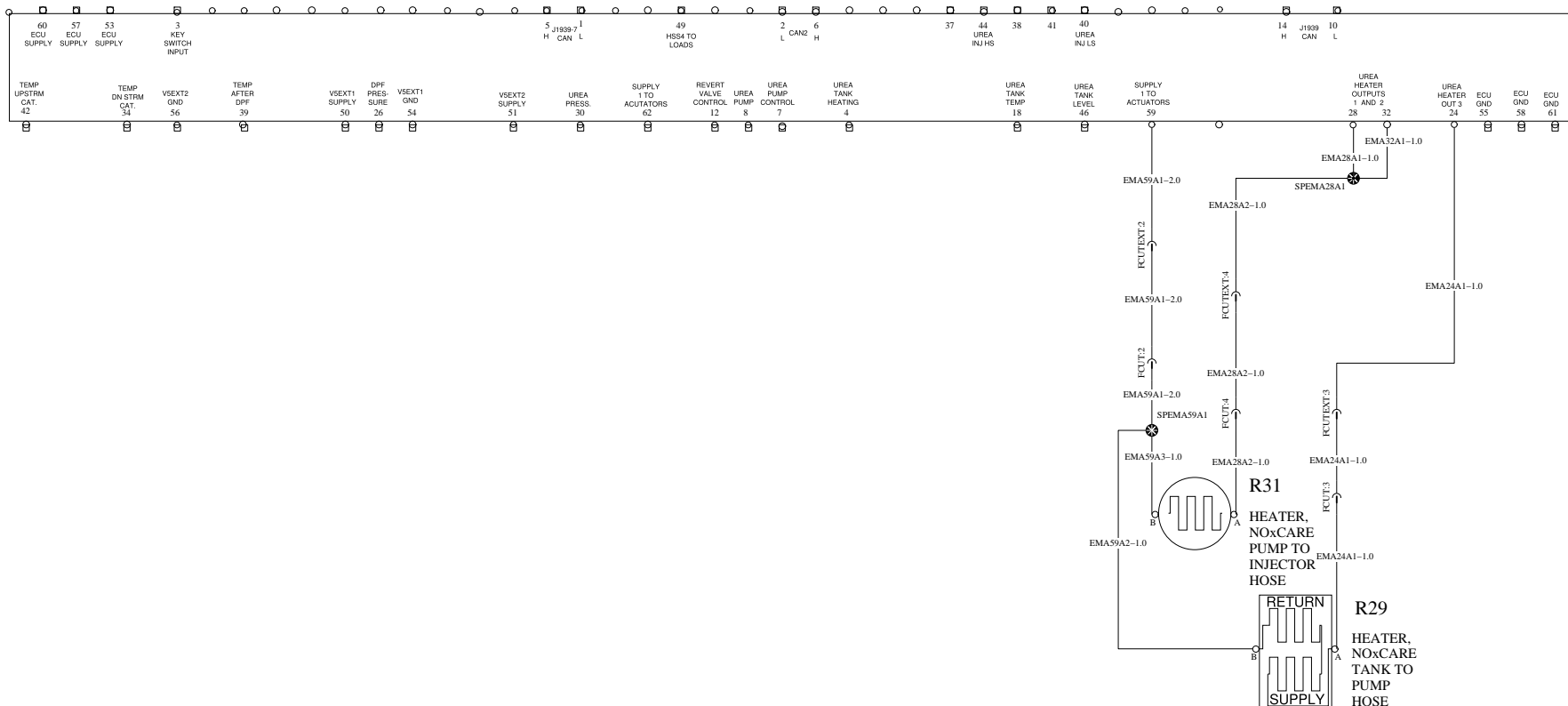
3

4

BATT
IGN
EMS
ILLUM

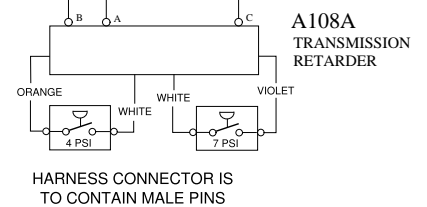
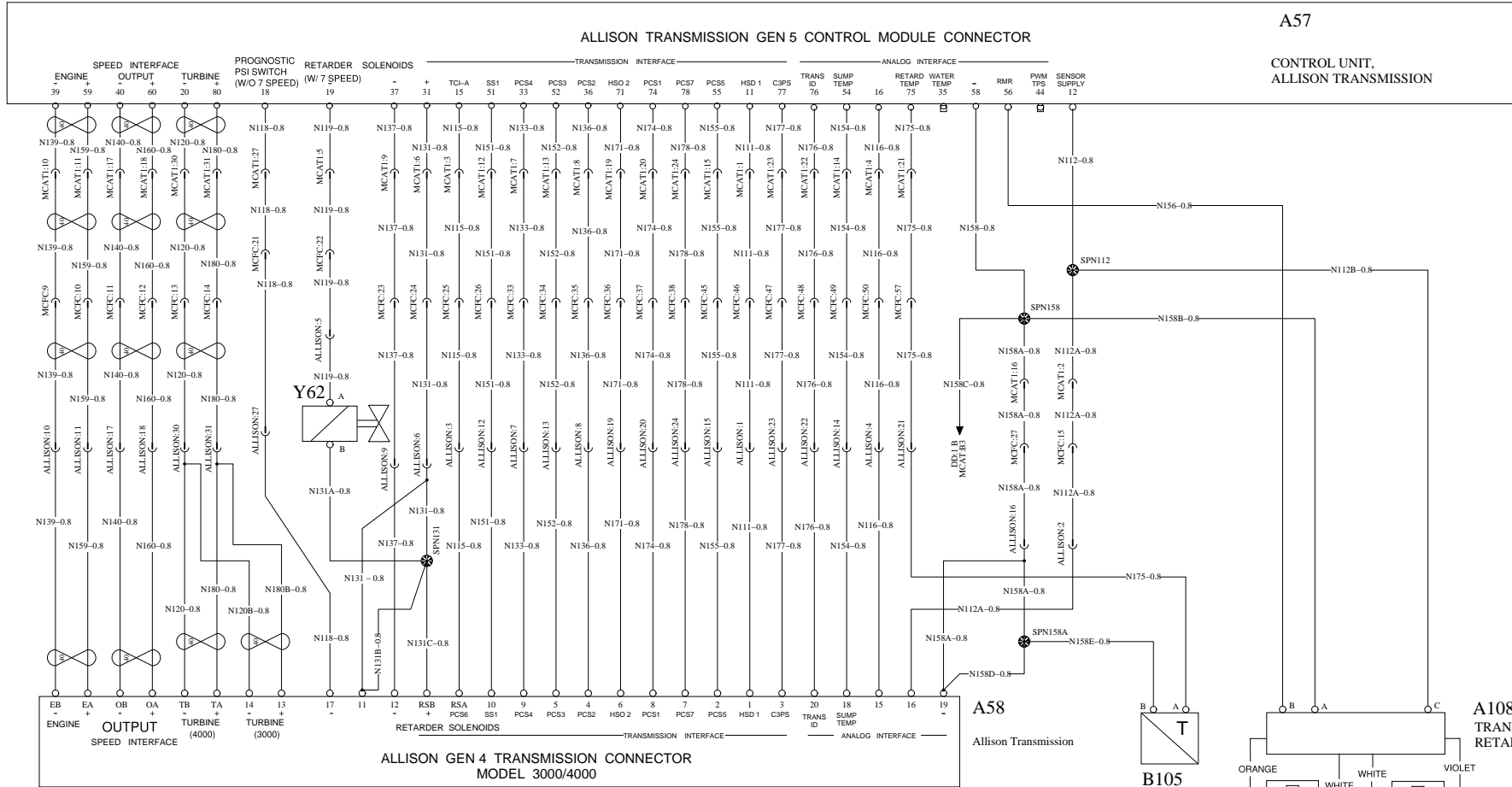
BATT
IGN
EMS
ILLUM

A137B



BATT
 IGN
 EMS
 ILLUM

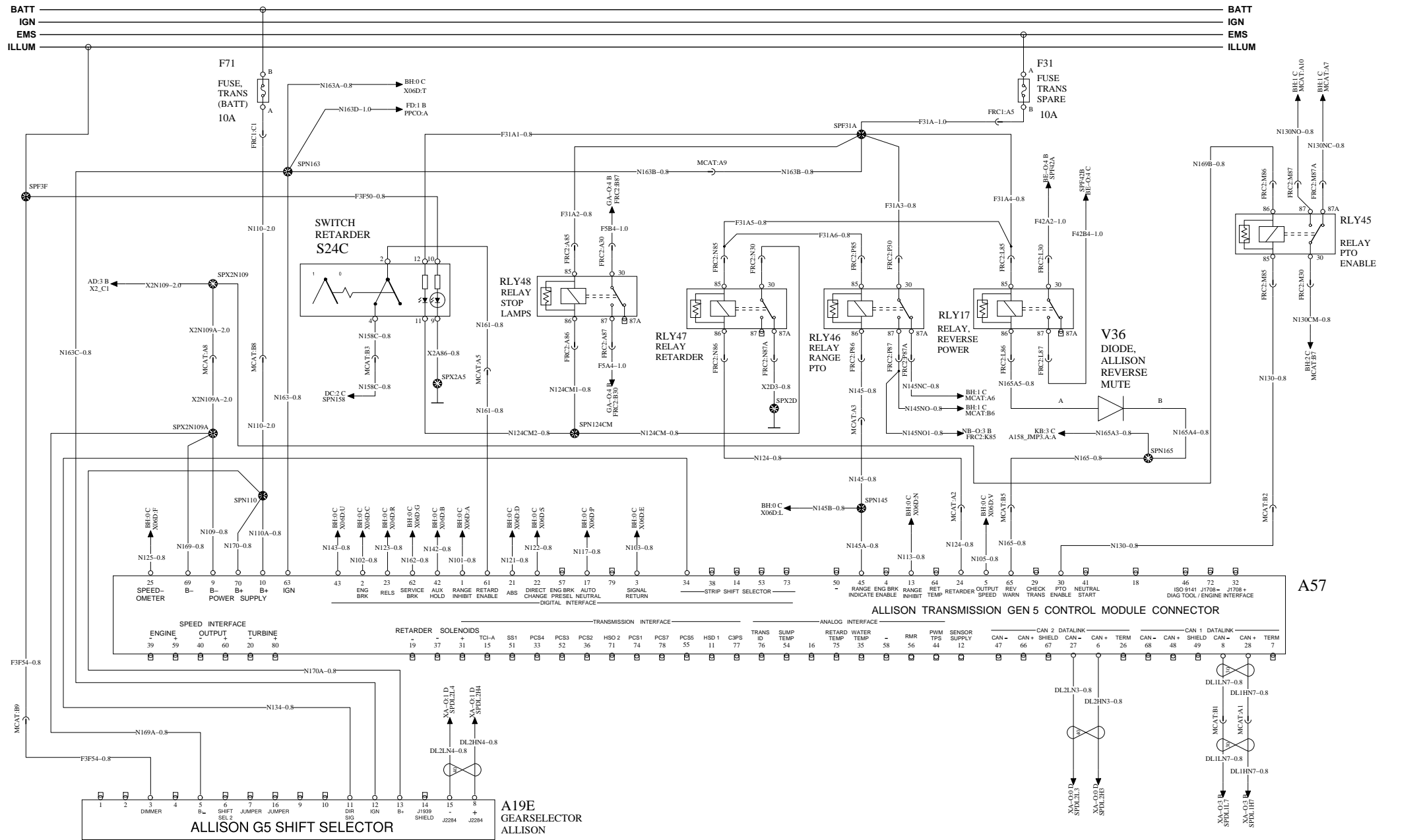
BATT
 IGN
 EMS
 ILLUM



HARNESS CONNECTOR IS TO CONTAIN MALE PINS

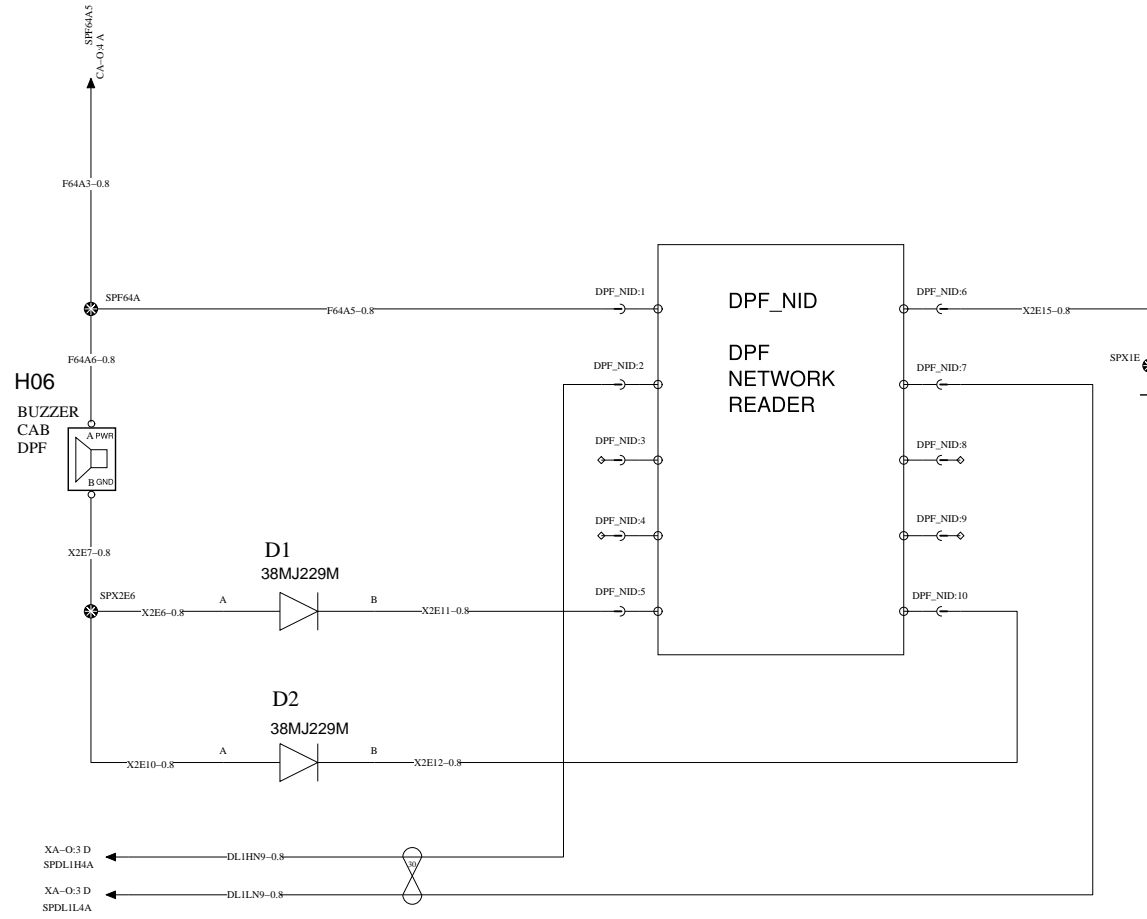
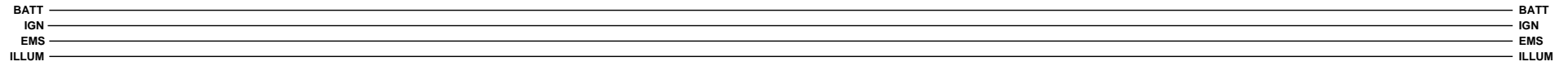
TRANSMISSION CONTROL 4th GENERATION 2/3

WIRING DIAGRAM: DD



JUNCTION POSTS

WIRING DIAGRAM: EC - O



MACK

Mack Trucks Inc.

Document title
WIRING DIAGRAM

Document type
PRODUCT SCHEMATIC

Drawing No.

22525262

Revision

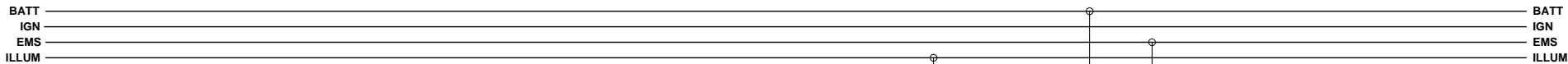
02

Page

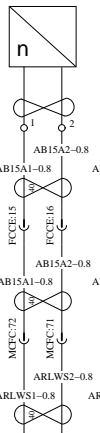
24 (45)

ABS8 BENDIX

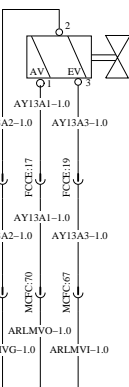
: ED



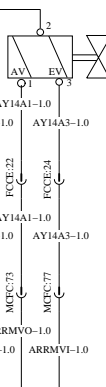
B15
SENSOR,
WHEEL SPD
LH RR RR AXLE



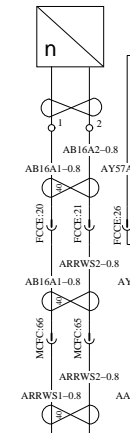
Y13
SOL. VALVE,
ABS LH RR



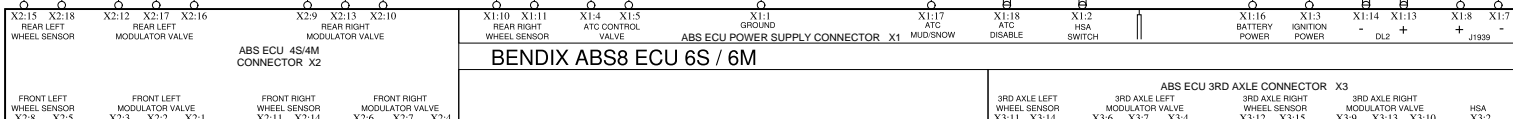
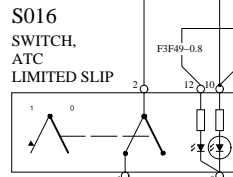
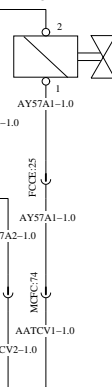
Y14
SOL. VALVE,
ABS RH RR



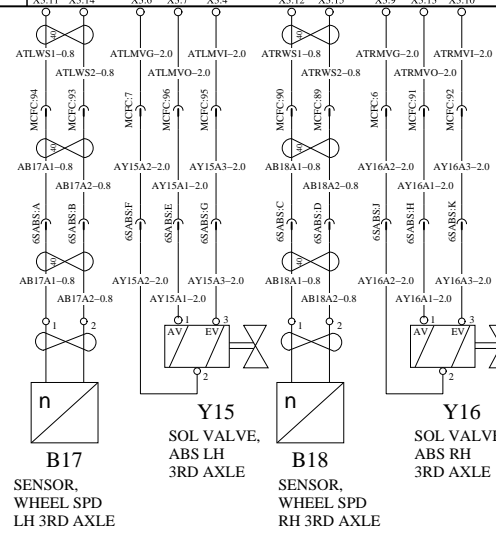
B16
SENSOR,
WHEEL SPD
RH RR RR AXLE



Y57
SOL. VALVE,
ATC



A12
Control unit, ABS
(Anti-lock Brake System)



B13
SENSOR,
WHEEL SPD
LH FRT AXLE



Y11
SOL. VALVE,
ABS LH FRT



B14
SENSOR,
WHEEL SPD
RH FRT AXLE



Y12
SOL. VALVE,
ABS RH FRT



MACK

Mack Trucks Inc.

| | |
|----------------------------------|------------------------------------|
| Document title WIRING DIAGRAM | Document type PRODUCT SCHEMATIC |
|----------------------------------|------------------------------------|

| | | |
|--------------------------------|-----------------------|------------------------|
| Drawing No. 22525262 | Revision 02 | Page 25 (45) |
|--------------------------------|-----------------------|------------------------|

0

1

2

3

4

AIR DRYER /HEATED DRAIN

WIRING DIAGRAM: FA

BATT _____ BATT
 IGN _____ IGN
 EMS _____ EMS
 ILLUM _____ ILLUM

A

A

B

B

C

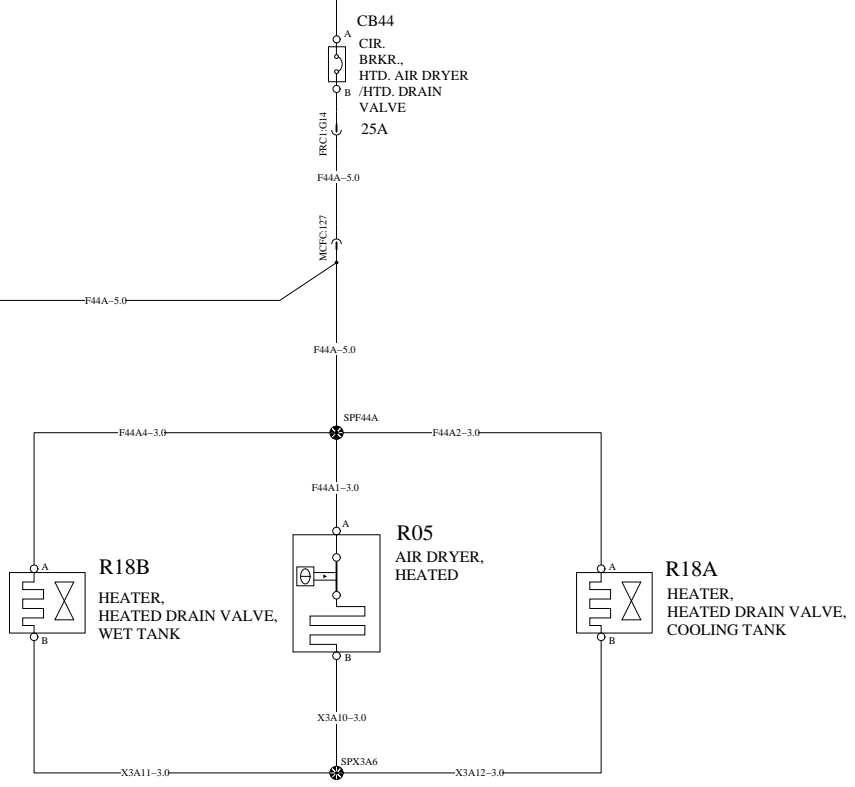
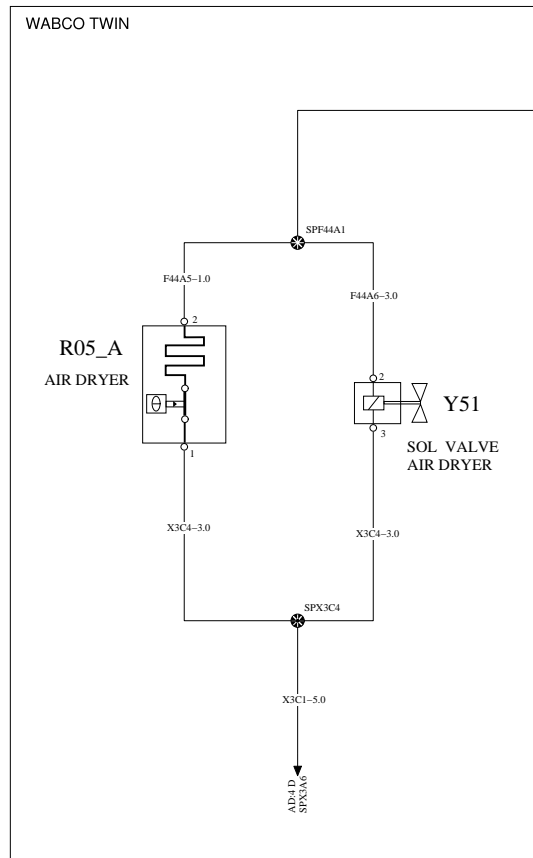
C

D

D

E

E



Air Dryer, Cooling Tank Heated Drain Valve, And Wet Tank Heated Drain Valve

MACK

Mack Trucks Inc.

| |
|------------------------------------|
| Document title WIRING DIAGRAM |
| Document type PRODUCT SCHEMATIC |

| | | |
|--------------------------------|-----------------------|------------------------|
| Drawing No. 22525262 | Revision 02 | Page 26 (45) |
|--------------------------------|-----------------------|------------------------|

0

1

2

3

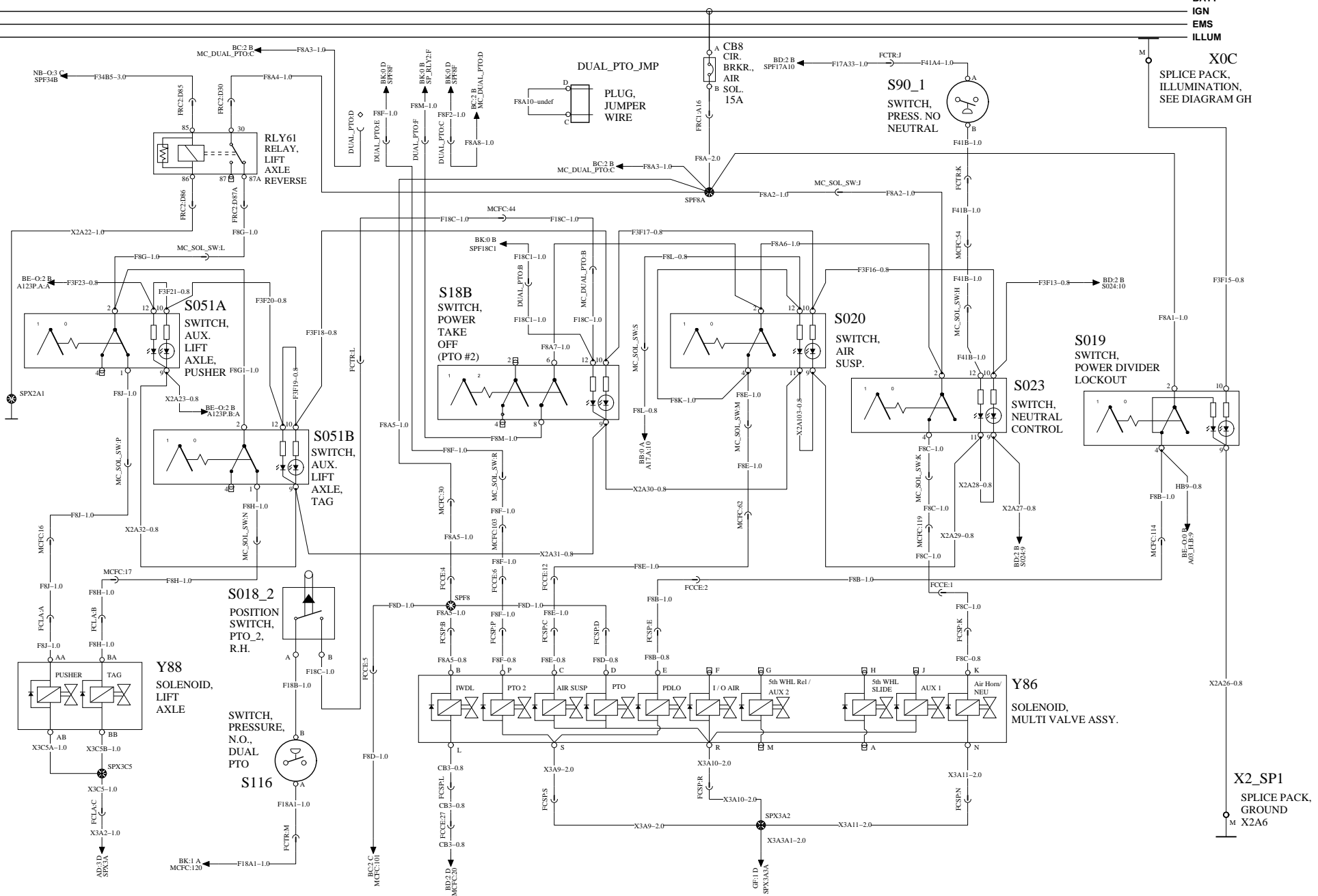
4

CHASSIS SOLENOIDS

WIRING DIAGRAM: FB

BATT
IGN
EMS
ILLUM

BATT
IGN
EMS
ILLUM



MACK

Mack Trucks Inc.

| |
|------------------------------------|
| Document title WIRING DIAGRAM |
| Document type PRODUCT SCHEMATIC |

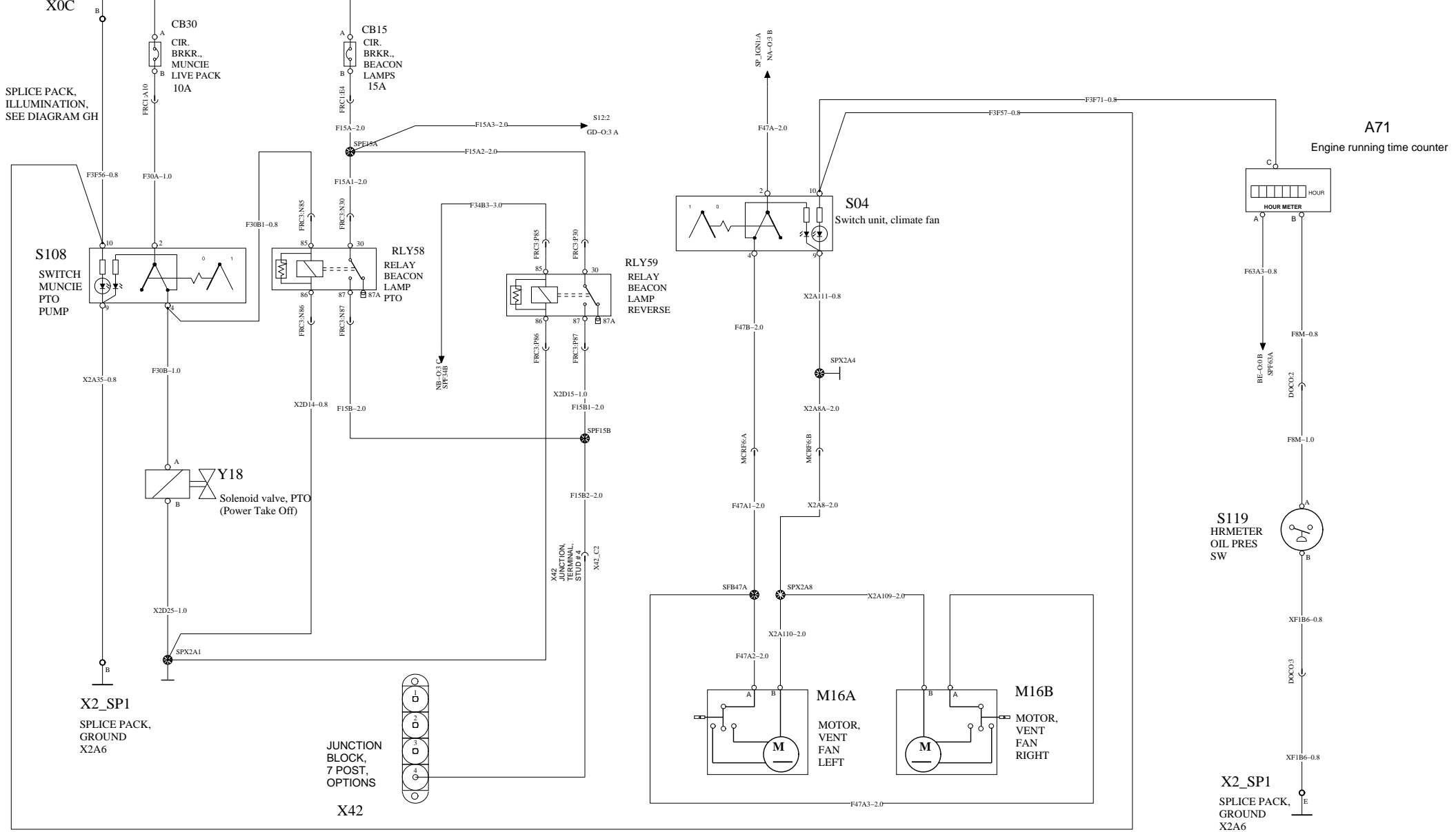
| | | |
|-------------------------|----------------|-----------------|
| Drawing No. 22525262 | Revision 02 | Page 27 (45) |
|-------------------------|----------------|-----------------|

MUNCIE PUMP & BEACON LAMPS

WIRING DIAGRAM: FC - O

BATT
IGN
EMS
ILLUM
X0C

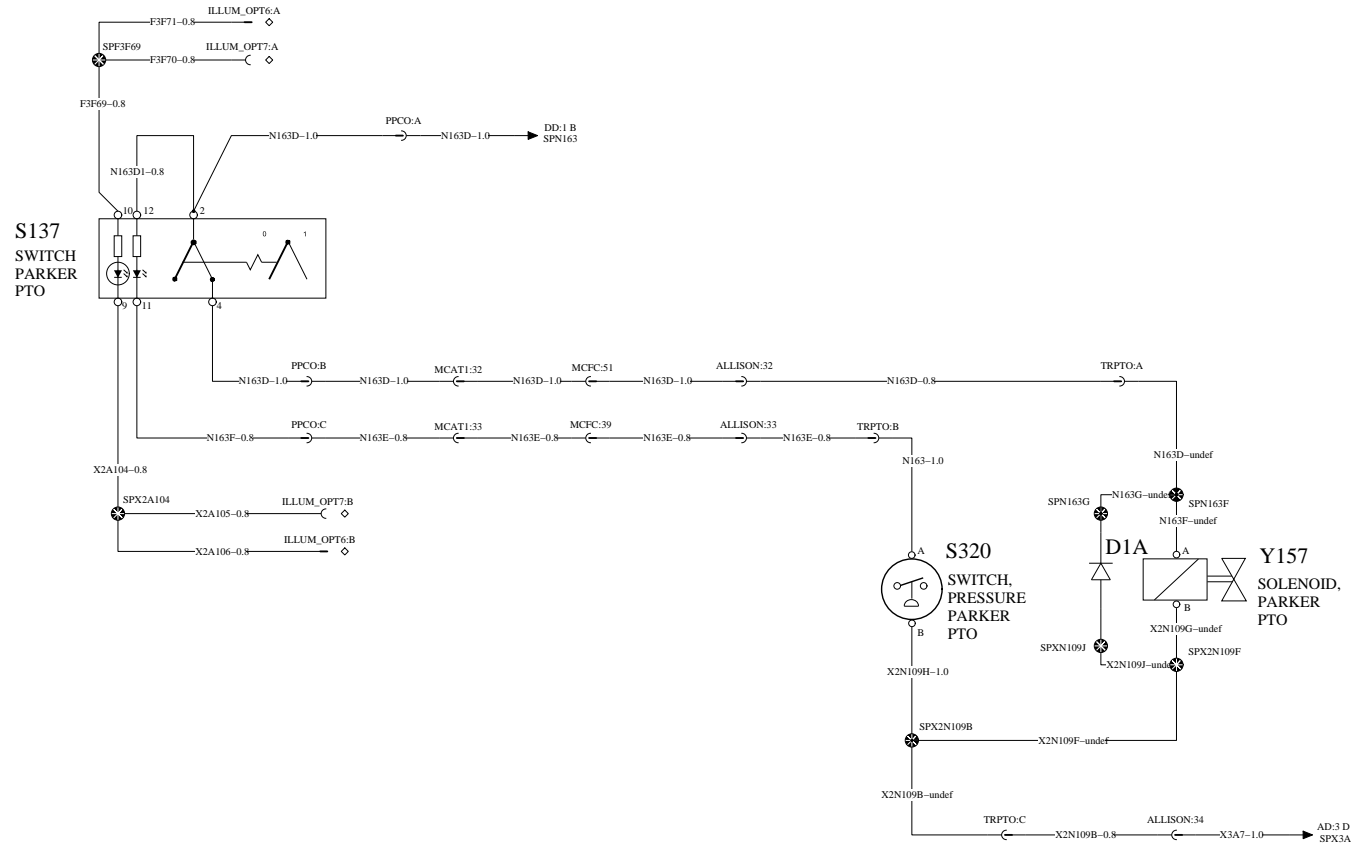
BATT
IGN
EMS
ILLUM



PARKER PTO

WIRING DIAGRAM: FD

BATT _____ BATT
 IGN _____ IGN
 EMS _____ EMS
 ILLUM _____ ILLUM



MACK

Mack Trucks Inc.

Document title
 WIRING DIAGRAM

Document type
 PRODUCT SCHEMATIC

Drawing No.

22525262

Revision

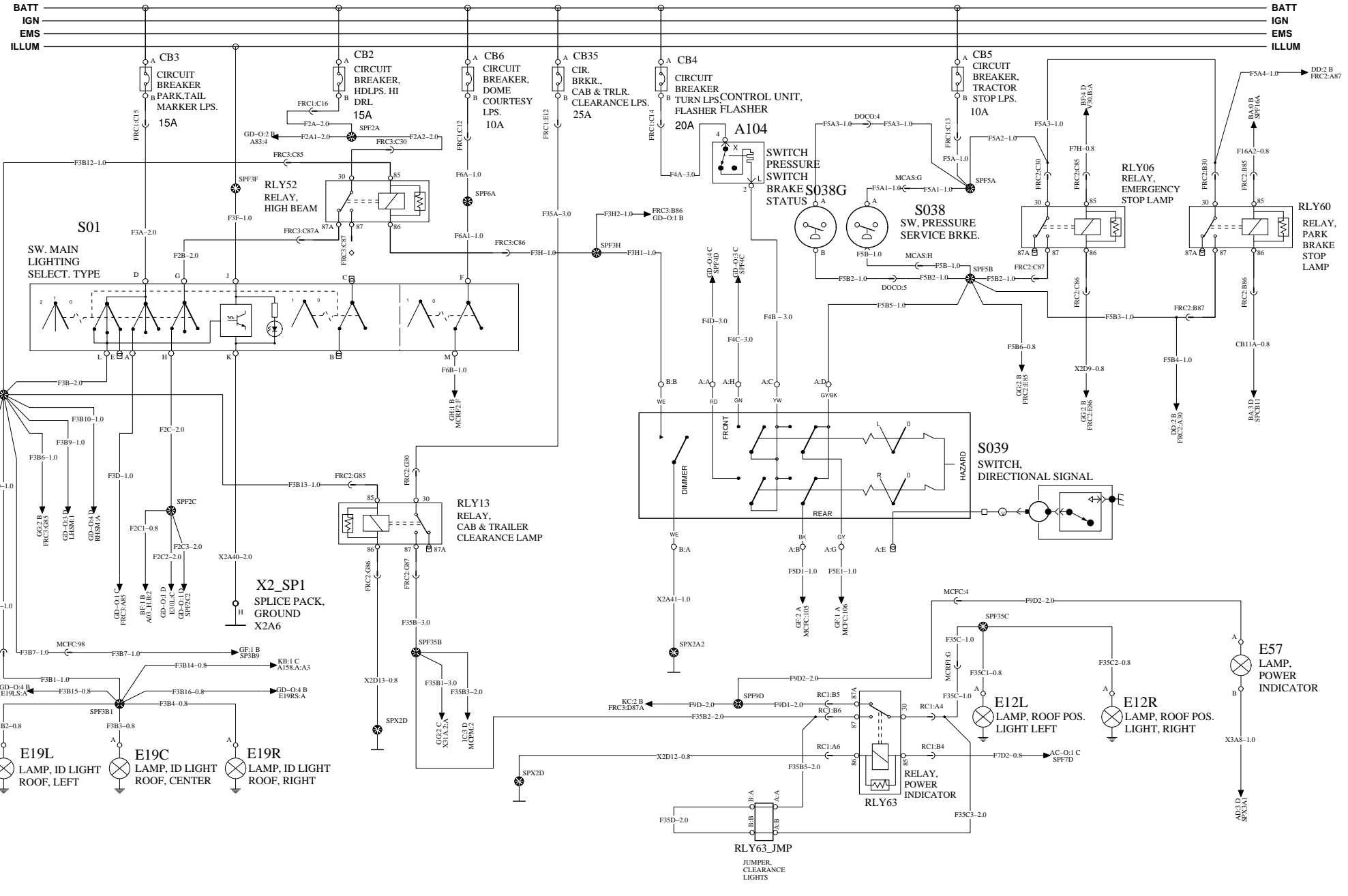
02

Page

29 (45)

LIGHTING CONTROL

WIRING DIAGRAM: GA - O



MACK

Mack Trucks Inc.

Document title
WIRING DIAGRAM
Document type
PRODUCT SCHEMATIC

Drawing No.
22525262

Revision
02

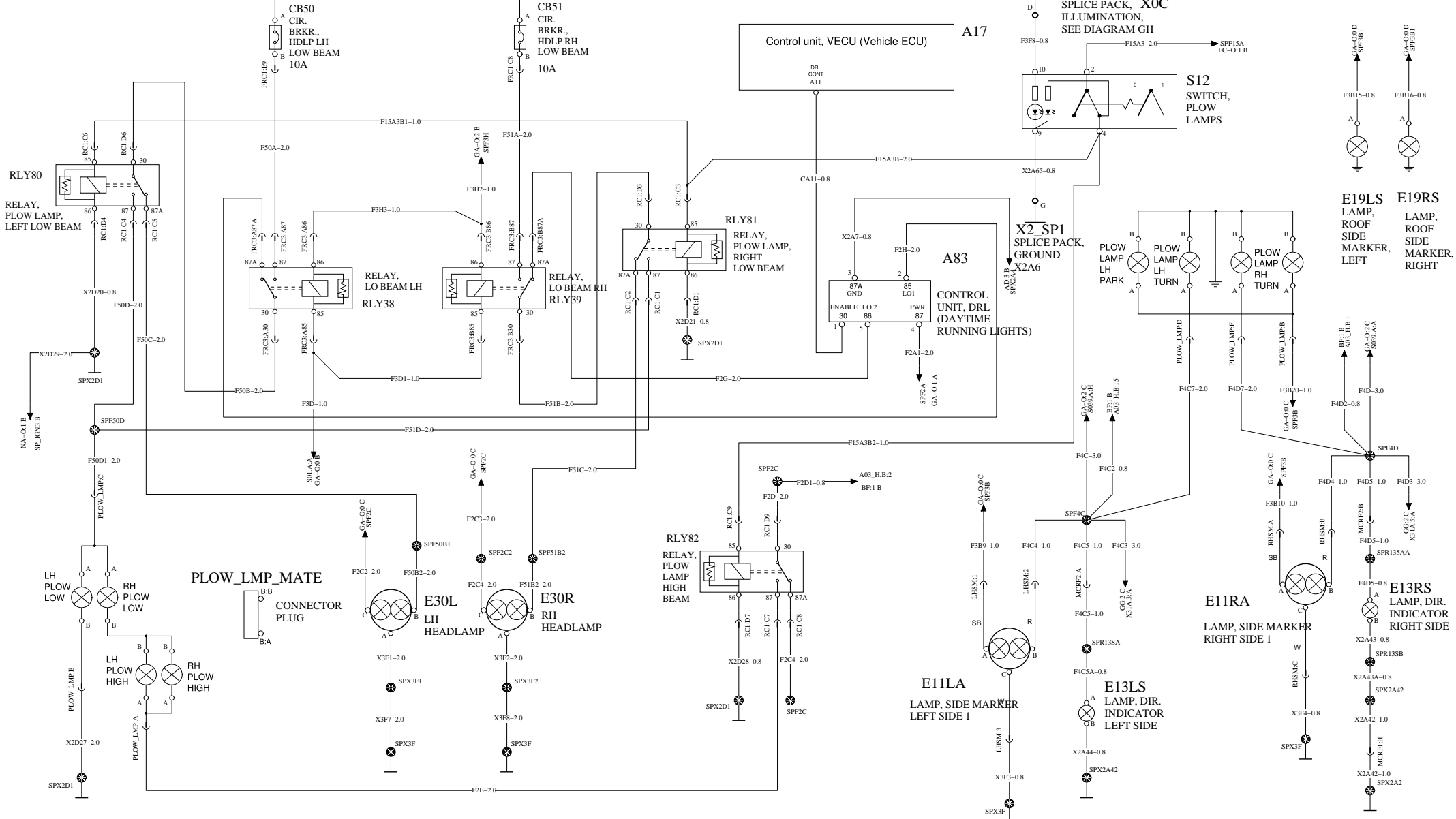
Page
30 (45)

LIGHTING- FORWARD/SIGNAL

WIRING DIAGRAM: GD - O

BATT
IGN
EMS
ILLUM

BATT
IGN
EMS
ILLUM



MACK

Mack Trucks Inc.

Document title
WIRING DIAGRAM
Document type
PRODUCT SCHEMATIC

Drawing No.
22525262

Revision
02

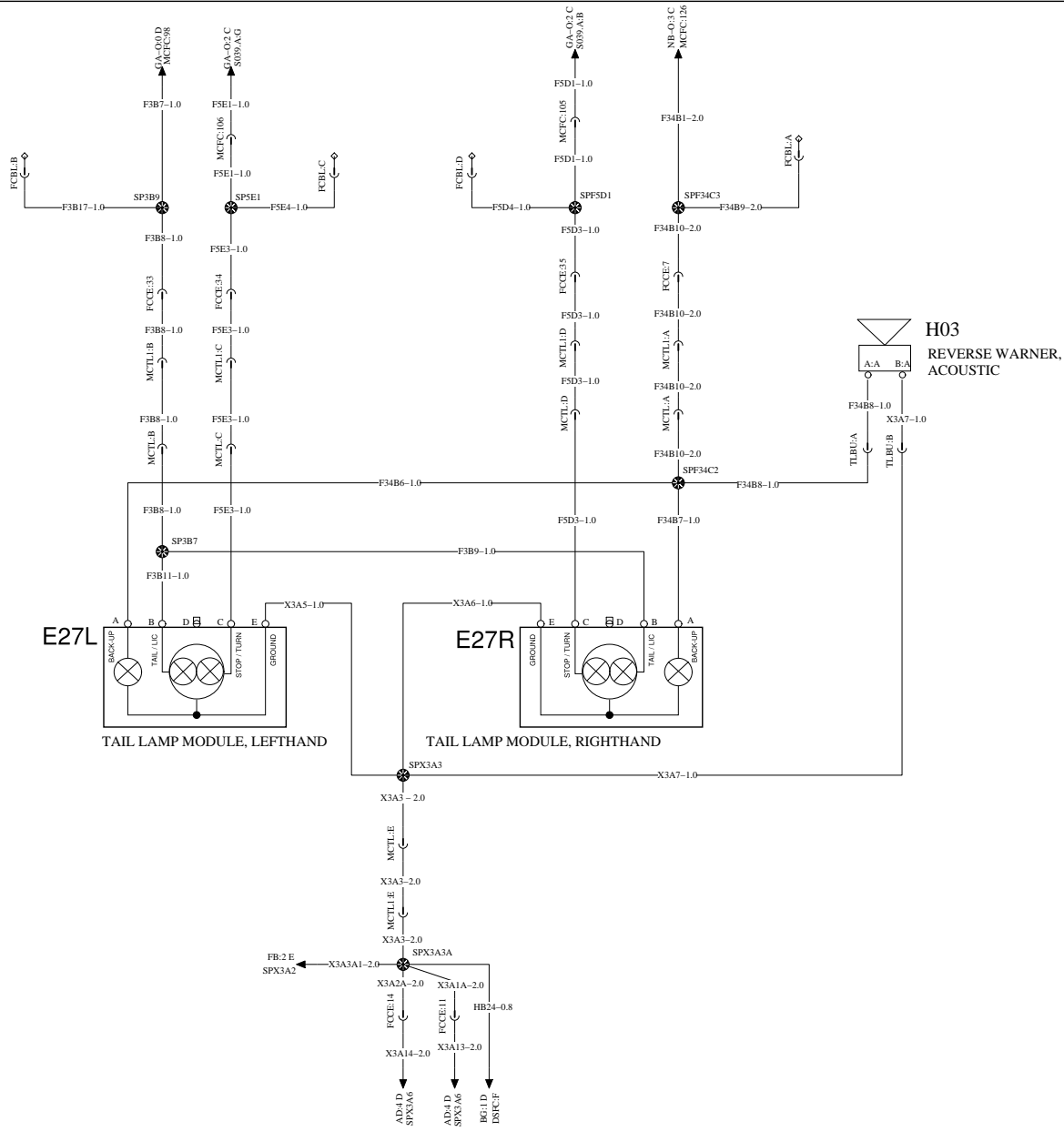
Page
31 (45)

LIGHTING -TAIL LAMP

WIRING DIAGRAM: GF

BATT
IGN
EMS
ILLUM

BATT
IGN
EMS
ILLUM



MACK

Mack Trucks Inc.

Document title
WIRING DIAGRAM

Document type
PRODUCT SCHEMATIC

Drawing No.
22525262

Revision
02

Page
32 (45)

0

1

2

3

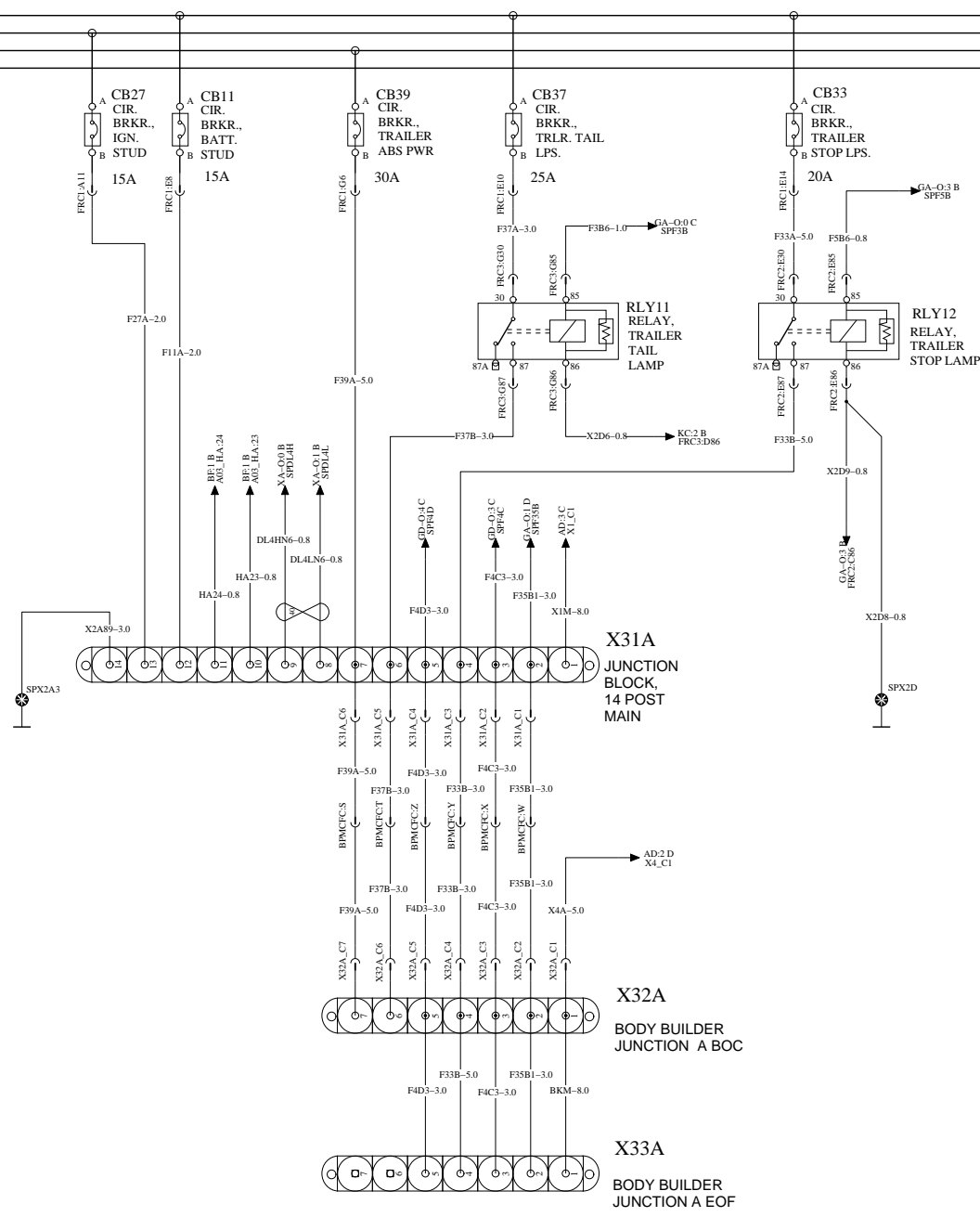
4

TRAILER LIGHTING CONTROL

WIRING DIAGRAM: GG

BATT
IGN
EMS
ILLUM

BATT
IGN
EMS
ILLUM



MACK

Mack Trucks Inc.

| | |
|----------------------------------|------------------------------------|
| Document title WIRING DIAGRAM | Document type PRODUCT SCHEMATIC |
|----------------------------------|------------------------------------|

| |
|-------------------------|
| Drawing No. 22525262 |
|-------------------------|

| |
|----------------|
| Revision 02 |
|----------------|

| |
|-----------------|
| Page 33 (45) |
|-----------------|

0

1

2

3

4

INTERIOR LIGHTING

WIRING DIAGRAM: GH

BATT
IGN
EMS
ILLUM

A

A

B

B

C

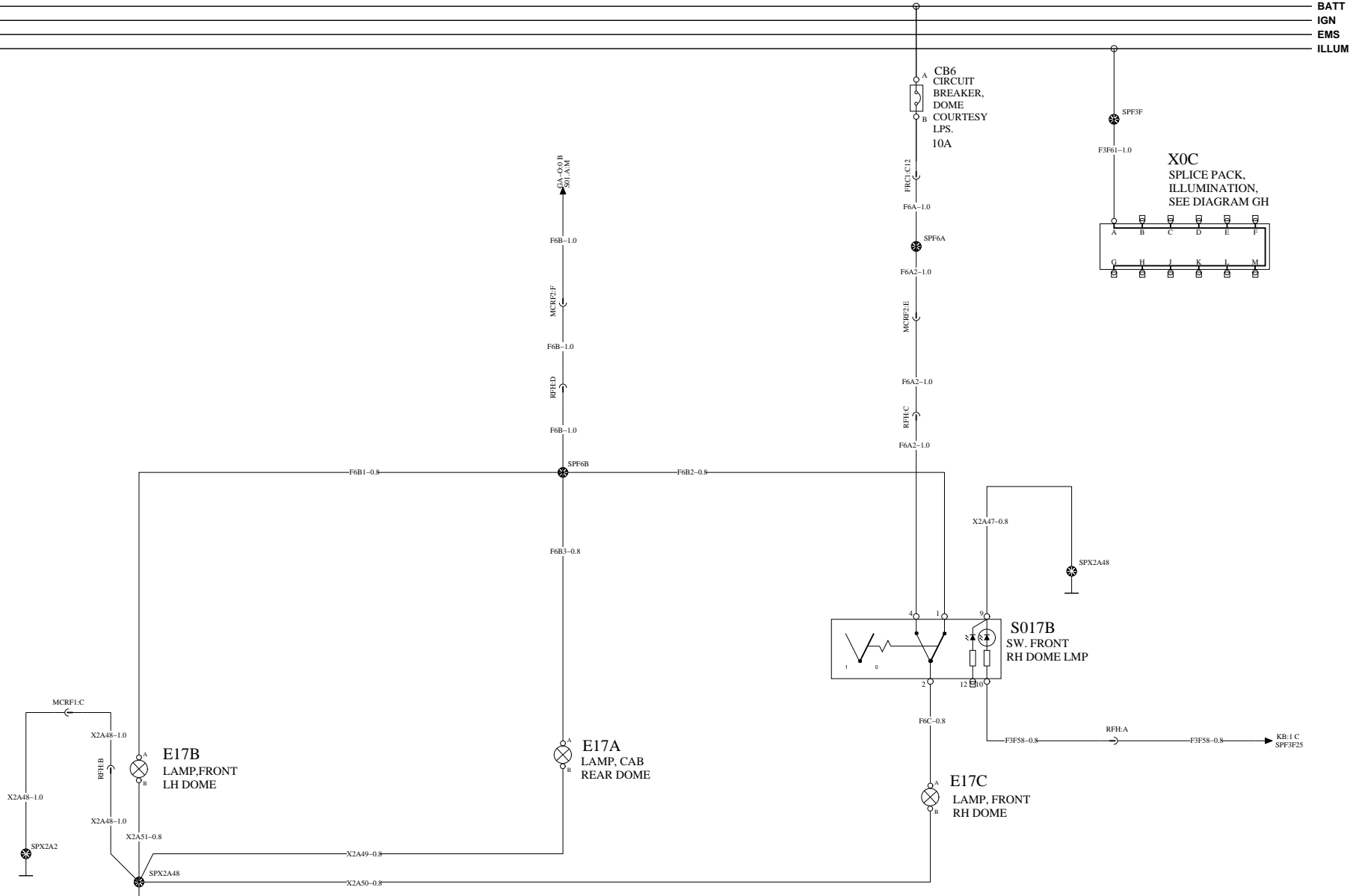
C

D

D

E

E



MACK

Mack Trucks Inc.

Document title
WIRING DIAGRAM

Document type
PRODUCT SCHEMATIC

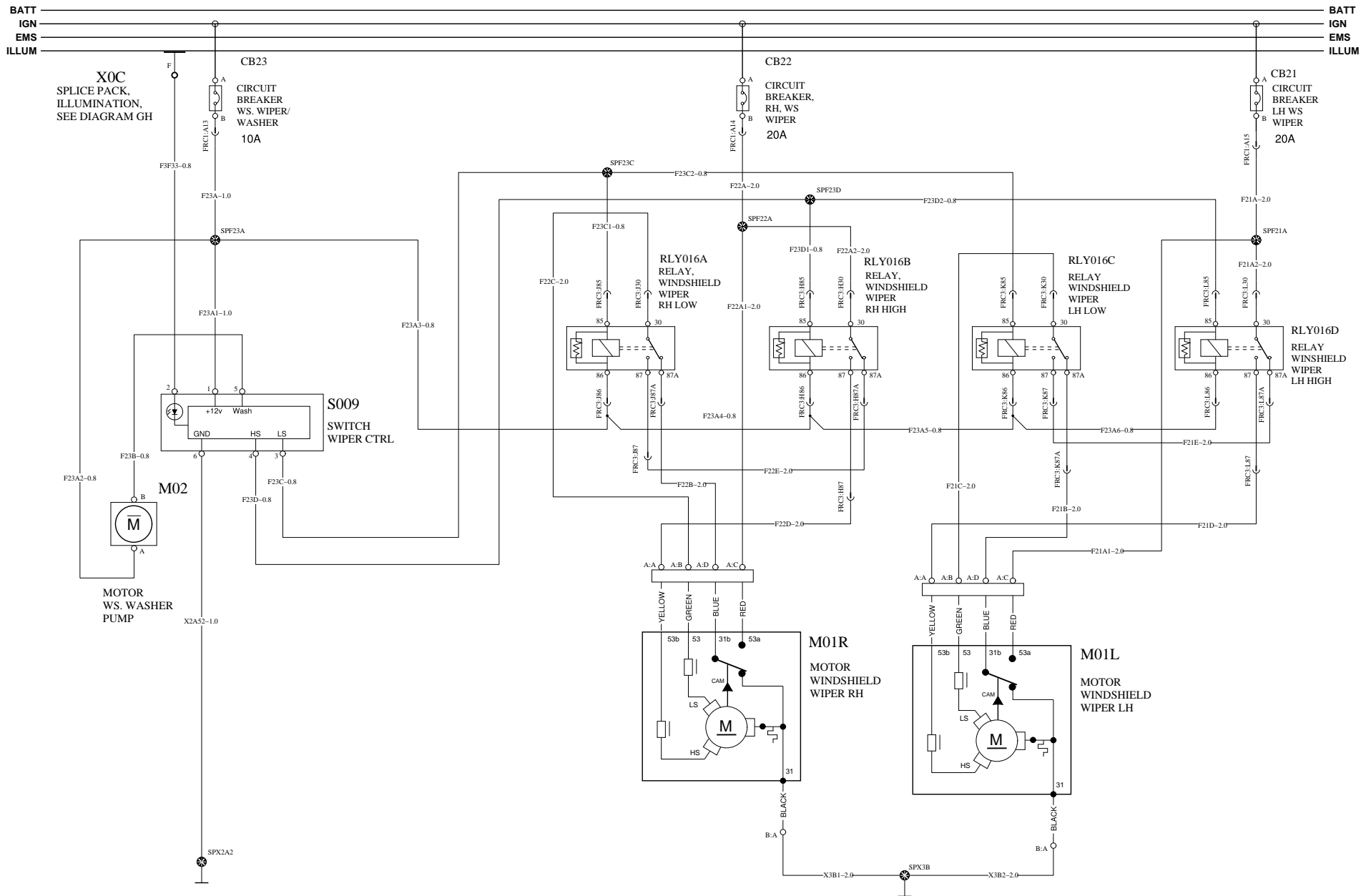
Drawing No.
22525262

Revision
02

Page
34 (45)

WIPER/WASHER

WIRING DIAGRAM: GP



MACK

Mack Trucks Inc.

Document title
WIRING DIAGRAM
Document type
PRODUCT SCHEMATIC

Drawing No.
22525262

Revision
02

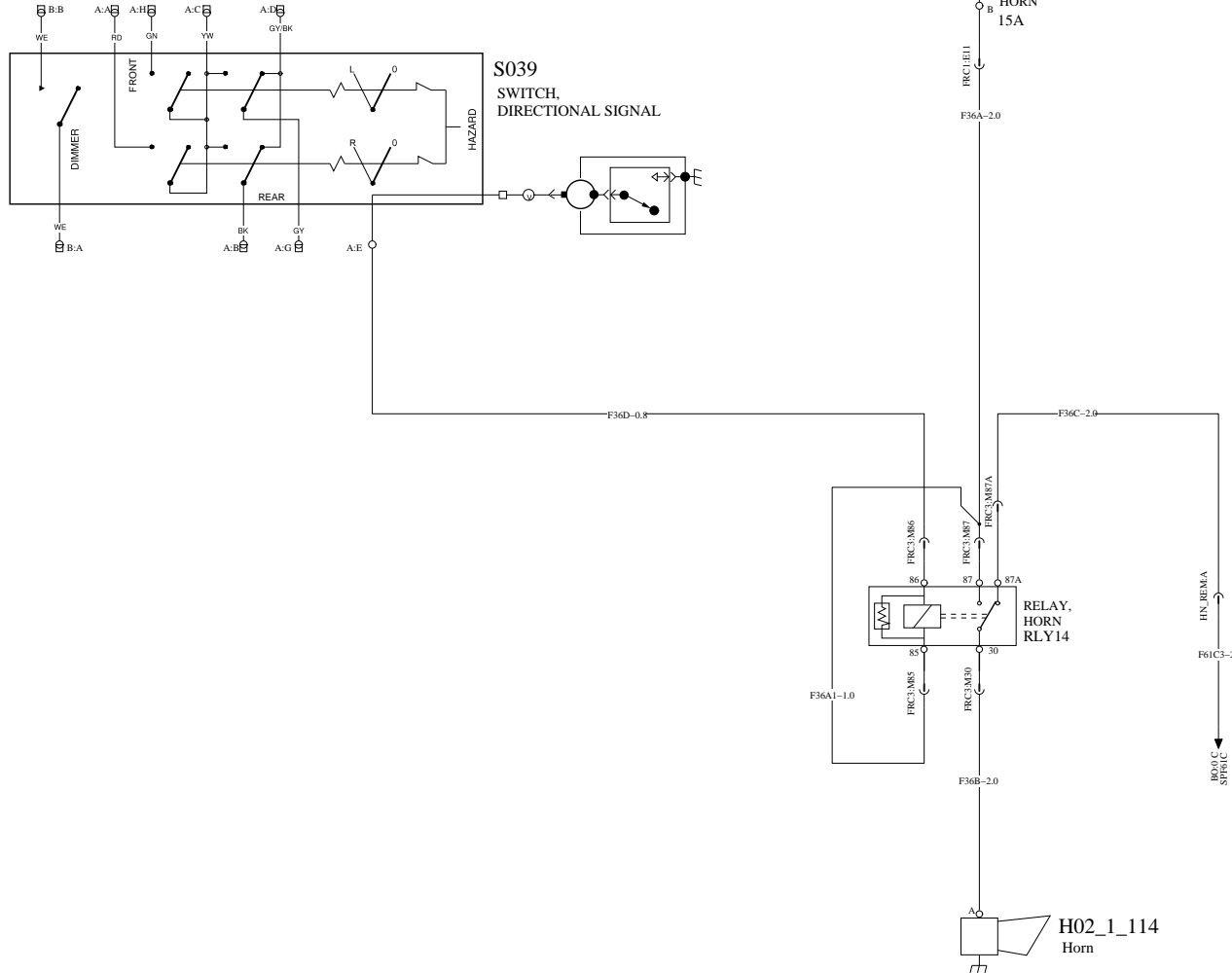
Page
35 (45)

HORN WIRING

WIRING DIAGRAM: GQ

BATT
IGN
EMS
ILLUM

BATT
IGN
EMS
ILLUM



| | | | | | |
|-------------|------------------|------------------------------------|--------------------------------|-----------------------|------------------------|
| MACK | Mack Trucks Inc. | Document title WIRING DIAGRAM | Drawing No. 22525262 | Revision 02 | Page 36 (45) |
| | | Document type PRODUCT SCHEMATIC | | | |

0

1

2

3

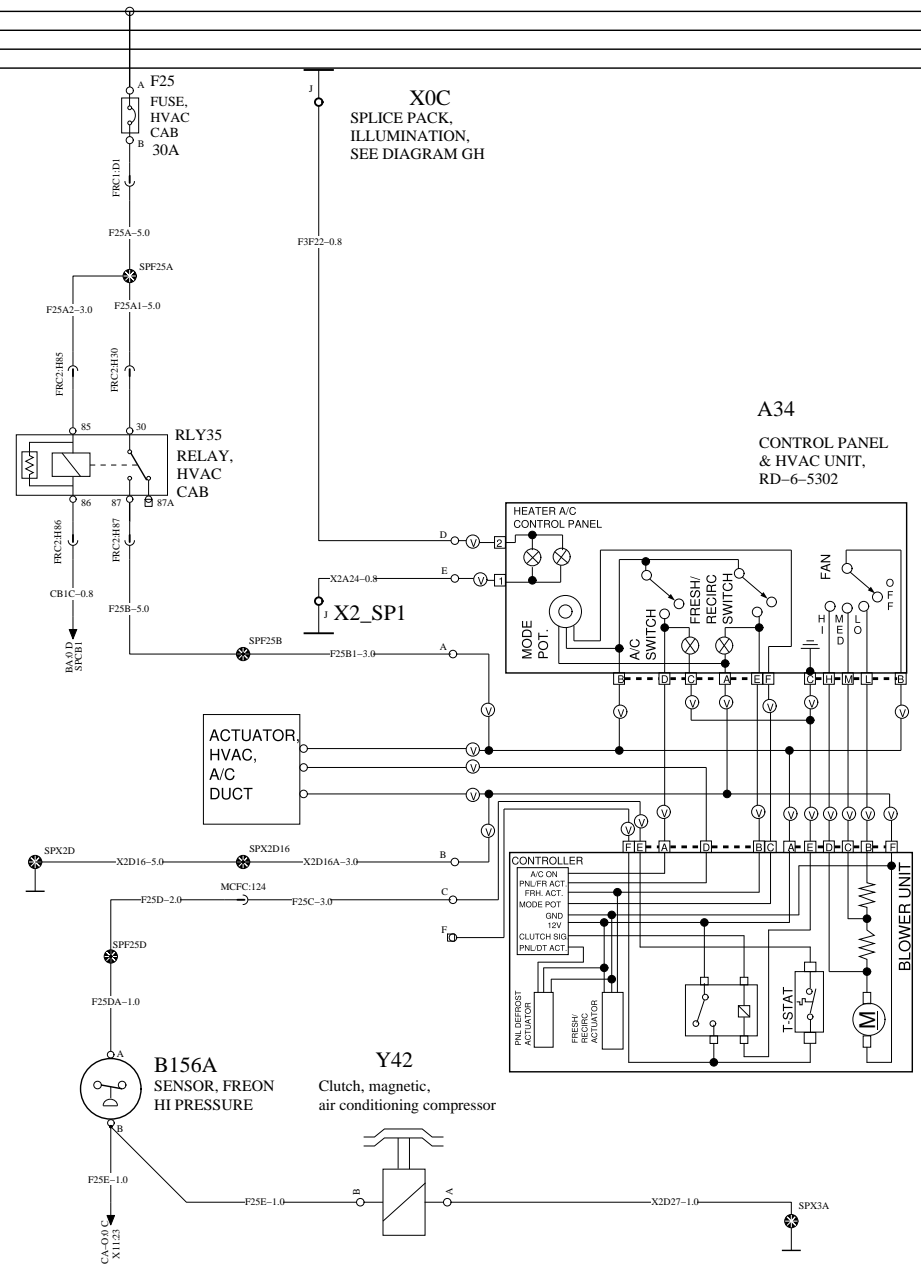
4

CLIMATE CONTROL

WIRING DIAGRAM: HA

BATT
IGN
EMS
ILLUM

BATT
IGN
EMS
ILLUM



MACK

Mack Trucks Inc.

Document title
WIRING DIAGRAM

Document type
PRODUCT SCHEMATIC

| | | |
|-------------------------|----------------|-----------------|
| Drawing No. 22525262 | Revision 02 | Page 37 (45) |
|-------------------------|----------------|-----------------|

0

1

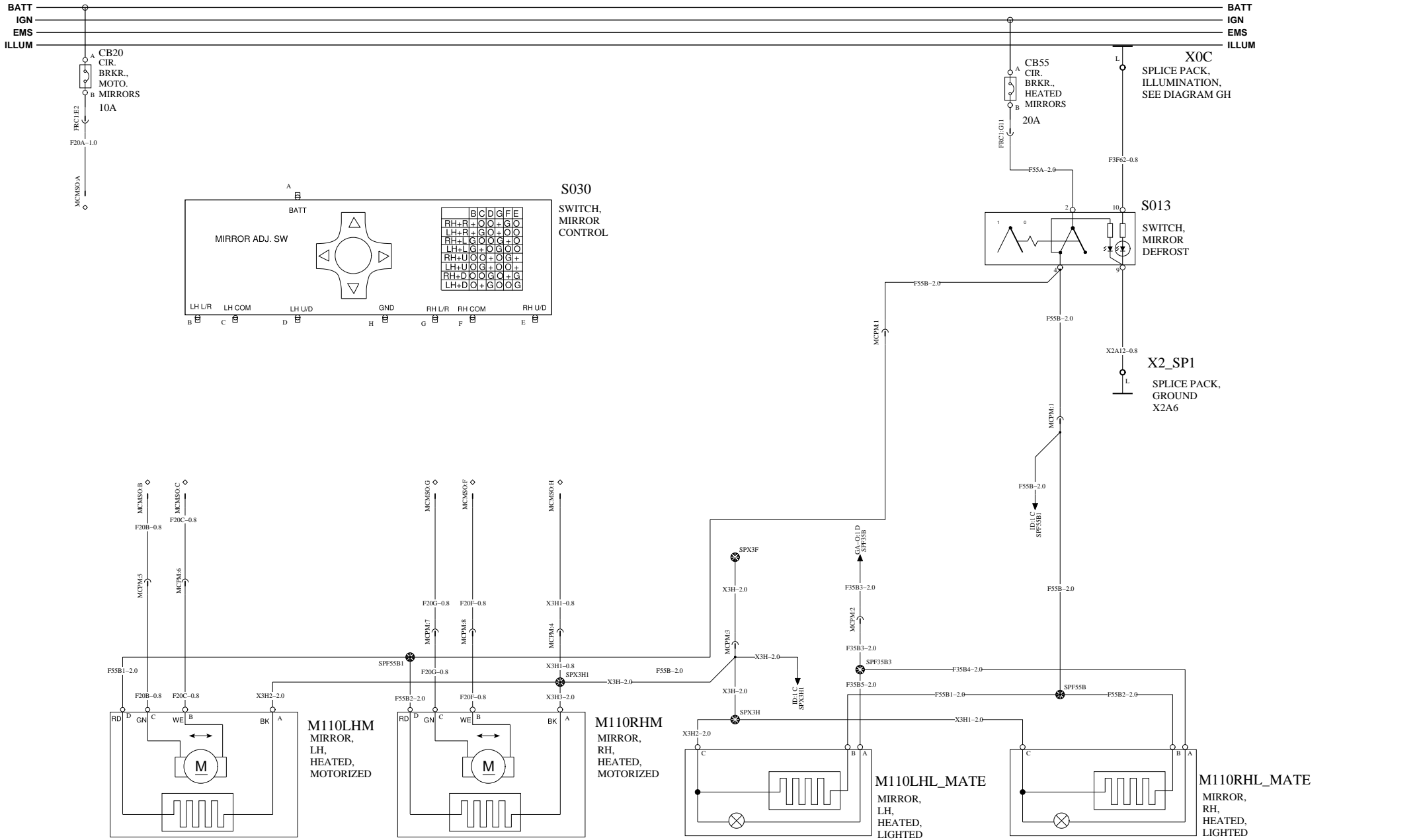
2

3

4

MIRROR CONTROL 1/2

WIRING DIAGRAM: IC



HEATED & MOTORIZED MIRRORS

HEATED & LIGHTED MIRRORS

MACK

Mack Trucks Inc.

Document title
WIRING DIAGRAM

Document type
PRODUCT SCHEMATIC

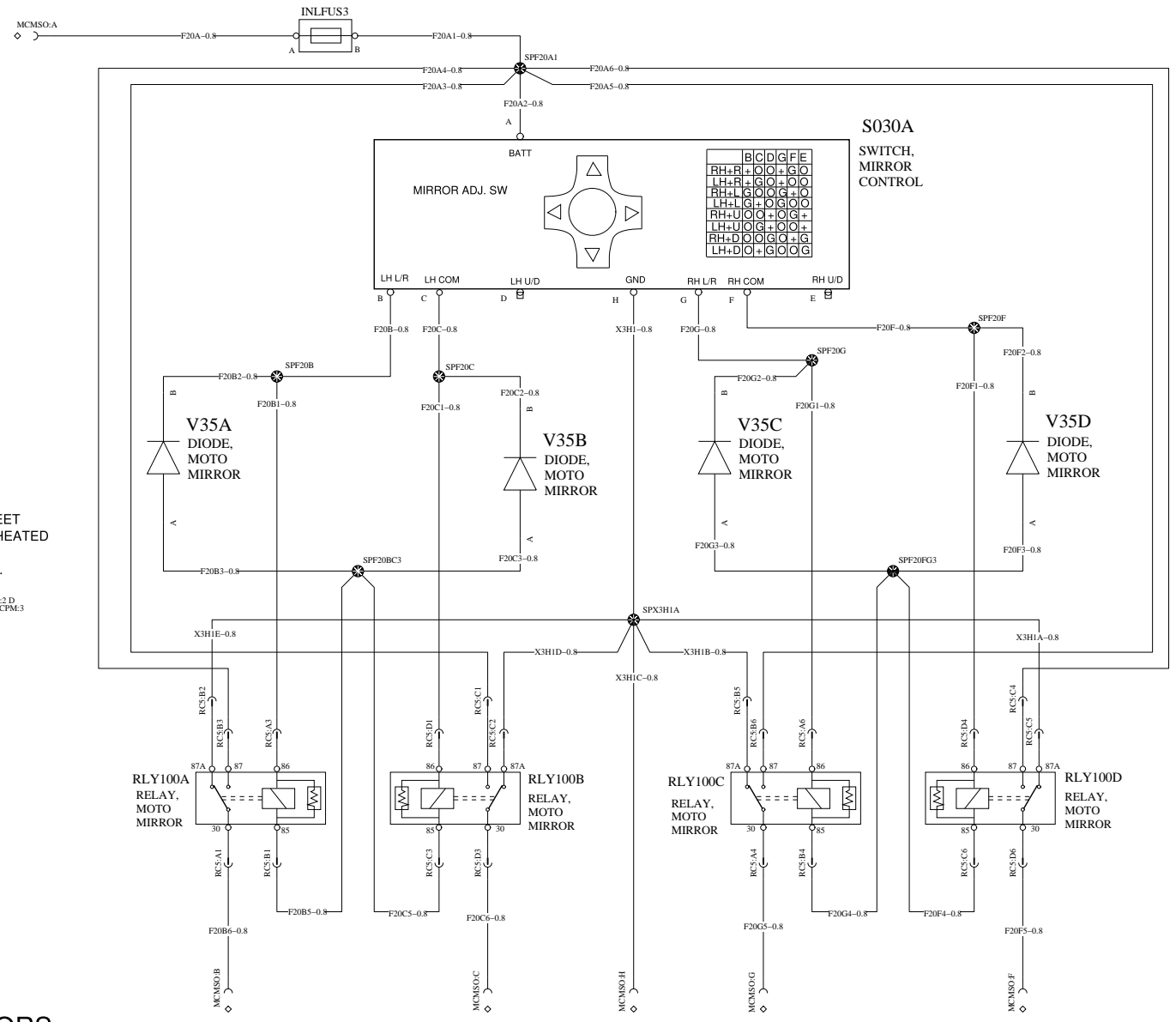
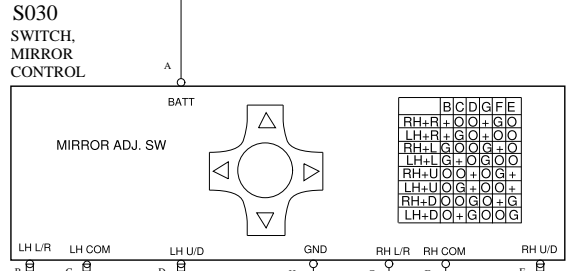
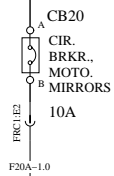
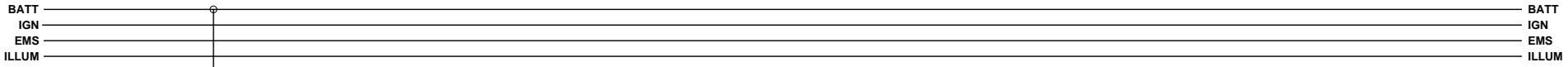
Drawing No.
22525262

Revision
02

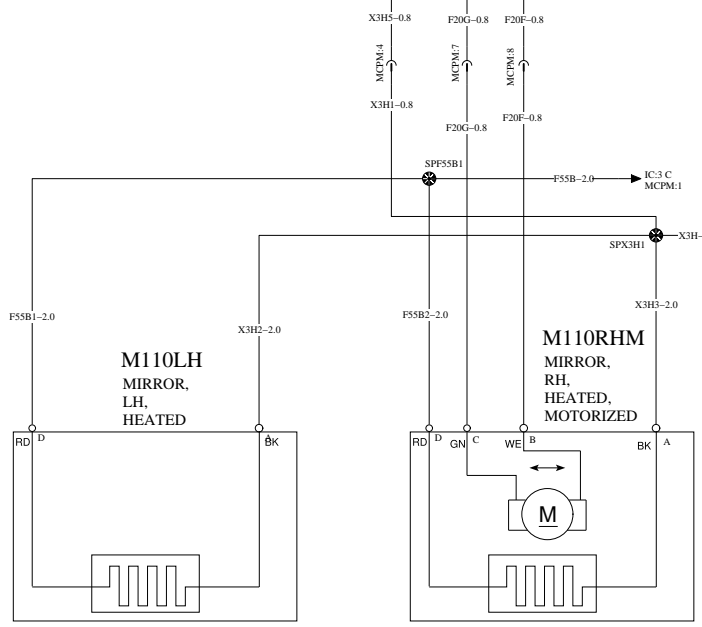
Page
38 (45)

MIRROR CONTROL 2/2

WIRING DIAGRAM: ID



SEE SHEET IC FOR HEATED MIRROR CIRCUIT.



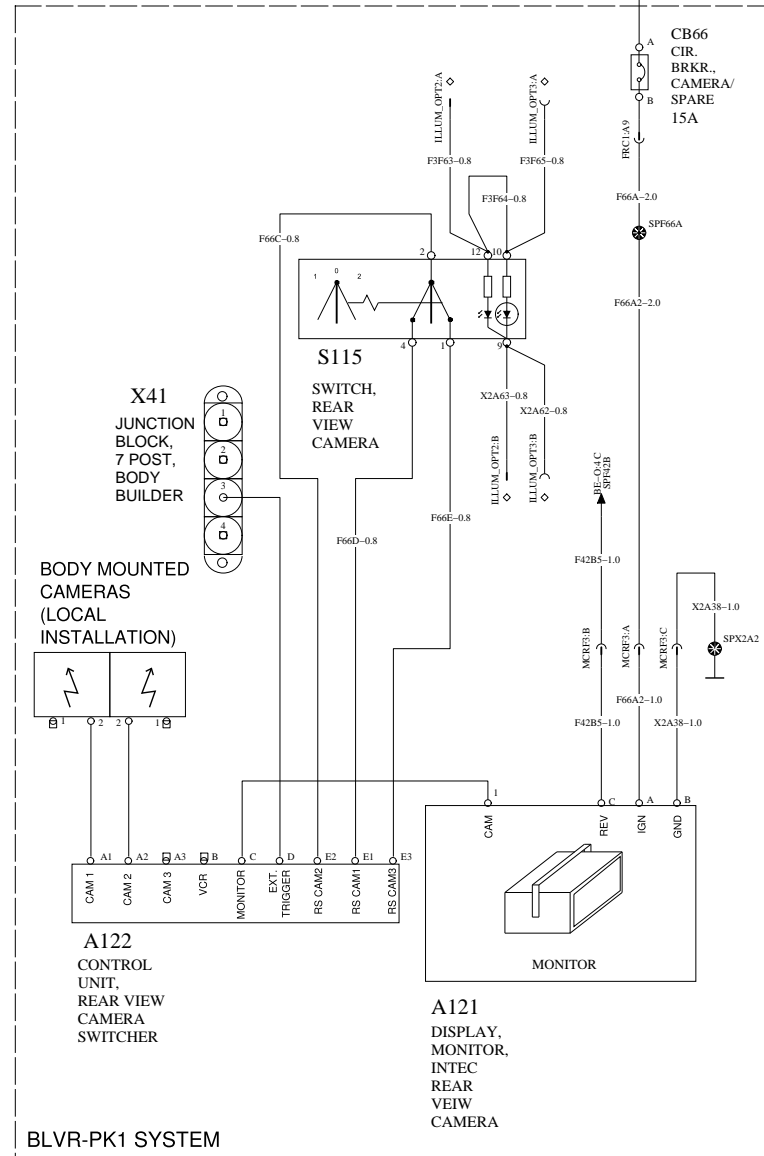
LH HEATED & RH HEATED AND MOTORIZED MIRRORS

VISUAL SYSTEMS

WIRING DIAGRAM: KA

BATT
IGN
EMS
ILLUM

BATT
IGN
EMS
ILLUM



MACK

Mack Trucks Inc.

Document title
WIRING DIAGRAM

Document type
PRODUCT SCHEMATIC

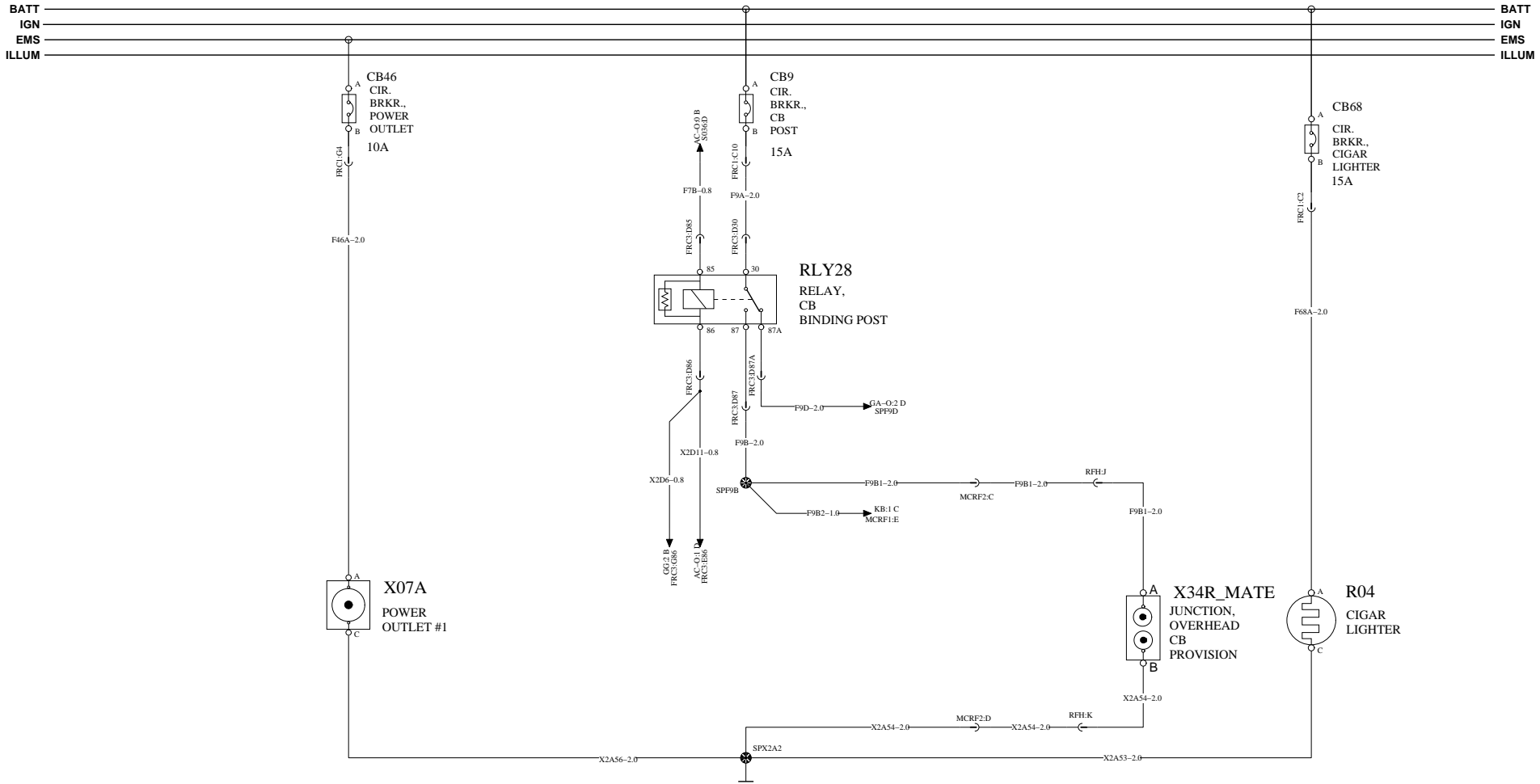
Drawing No.
22525262

Revision
02

Page
40 (45)

POWER OUTLET CONNECTIONS

WIRING DIAGRAM: KC



MACK

Mack Trucks Inc.

Document title
WIRING DIAGRAM

Document type
PRODUCT SCHEMATIC

Drawing No.

22525262

Revision

02

Page

42 (45)

JUNCTION POSTS

WIRING DIAGRAM: NB - O

BATT
IGN
EMS
ILLUM

BATT
IGN
EMS
ILLUM

A

A

B

B

C

C

D

D

E

E

X0C
SPLICE PACK,
ILLUMINATION,
SEE DIAGRAM GH

CB24
CIR.
BRKR.,
2WAY
RADIO
15A

CB12
CIR.
BRKR.,
OPTION
BLOCK
15A

BATTERY
G01

A230

CB40
CIR.
BRKR.,
BODY IGN.
PWR. STUD
25A

CB61
CIR.
BRKR.,
BODY
BATT.
STUD
20A

CB45
CIR.
BRKR.,
SPARE/FUEL
SEPARATOR
FUEL HEATER
30A

F31
FUSE
TRANS
SPARE
10A

NEUTRAL
A03_H
CONTROL
UNIT,
GAUGE
DRIVER
MODULE
(GDM)

CB34
CIR.
BRKR.,
REV/NEUTRAL
POWER
30A

S110
SWITCH,
PARK
BRAKE,
NEUTRAL

RLY29
RELAY,
NEUTRAL
POWER

RLY62
RELAY,
REVERSE
BODY
POWER

S209
Switch, Electrical fuel pump

M15B
MOTOR,
FUEL
PRIMER
PUMP

X32B
BODY BUILDER
JUNCTION B BOC

X33B
BODY BUILDER
JUNCTION B EOF

X42
JUNCTION
BLOCK,
7 POST,
OPTIONS

X41
JUNCTION
BLOCK,
7 POST,
BODY
BUILDER

MACK

Mack Trucks Inc.

Document title
WIRING DIAGRAM

Document type
PRODUCT SCHEMATIC

Drawing No.
22525262

Revision
02

Page
44 (45)

