

Engineering Release Notice (ERN)	Location	Change Description	A = Added D = Deleted	W = Was	Document Release Status <b>RELEASED</b>
D-17202-26		SEE DCN			Date Modification Count

### WIRING DIAGRAM INDEX, 12V

NAME	DESCRIPTION	Page	NAME	DESCRIPTION	Page
AA-O	NYC POWER DISTRIBUTION	2	GA-O	NYC LIGHTING CLN POWER FLASHER	14
AC-O	NYC IGN DISCONNECT	3	GD-O	NYC LIGHTING PLOW LIGHTS	15
BC-O	NYC CUSTOMER INTERFACE CA V1	4	GQ-O	HORN WIRING	16
BH-O	NYC BBM V3	5	HA-O	CLIMATE CONTROL, HVAC JUMPER & ROOF AIR	17
BI-O	TGW2	6	NA-O	NYC SPARE CONNECTORS & FEEDS	18
BM-O	NYC SINGLE BIN BB	7	NB-O	NYC SPARES FEEDS V1	19
BN-O	NYC SINGLE DUAL BI BB	8	NE-O	NYC SINGLE BIN BB	20
CK-O	NYC DPF ALERT	9	NF-O	NYC SINGLE DUAL BIN ELECTRIC FUEL PRIMER PUMP & VENT FANS	21
DD-O	TRANSMISSION CONTROL 5th GEN	10	XA-O	NYC DIAGNOSTIC CONNECTOR	22
EC-O	ABS BENDIX	11			
FC-O	NYC SINGLE DUAL BIN BB	12			
FE-O	NYC SINGLE BIN STEP & PUDDLE WORKING LAMPS	13			

The copying, distribution and utilization of this document as well as the communication of its contents to others without expressed authorization is prohibited. Offenders will be held liable for payment of damages. All rights reserved in the event of the grant of a patent, utility model or ornamental design registration.

Document Title  
**WIRING DIAGRAM**  
 12V - TYPE OL L1EH1  
 NYC - DEPT OF SANITATION - SINGLE BIN



Mack Trucks, Inc.

Document Type  
**TECHNICAL REGULATION**

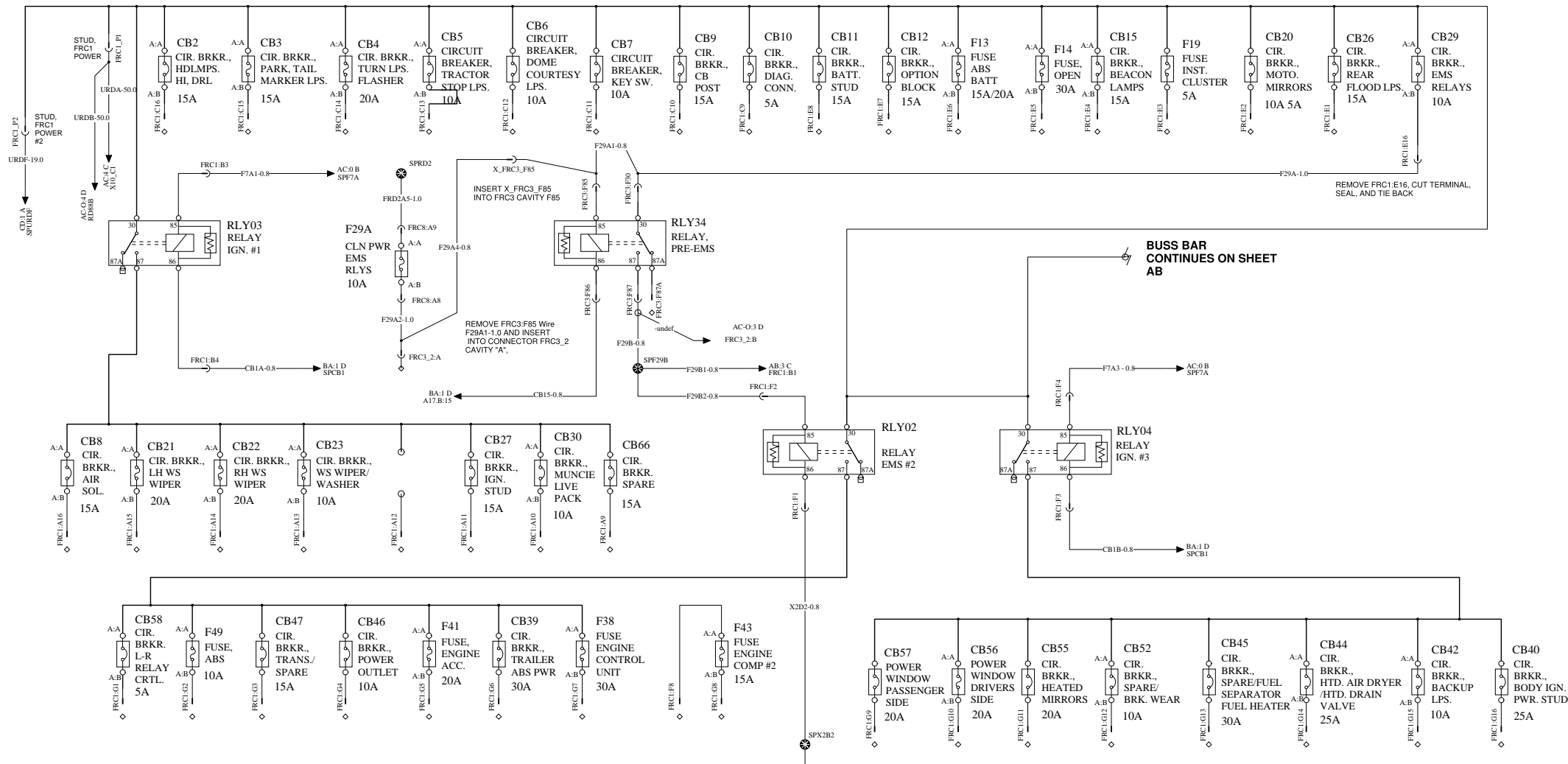
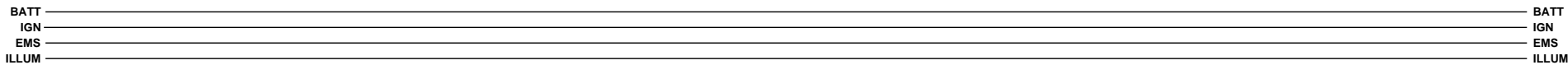
Owner Domain: Document Prefix

Document No <b>22617224</b>	Issue Index <b>04</b>	Volume No <b>01</b>	Page No <b>1(22)</b>
--------------------------------	--------------------------	------------------------	-------------------------

EDM-W 2000-04-01

NYC\_POWER\_DISTRIBUTION

WIRING DIAGRAM: AA-O



BUSS BAR CONTINUES ON SHEET AB

**MACK**

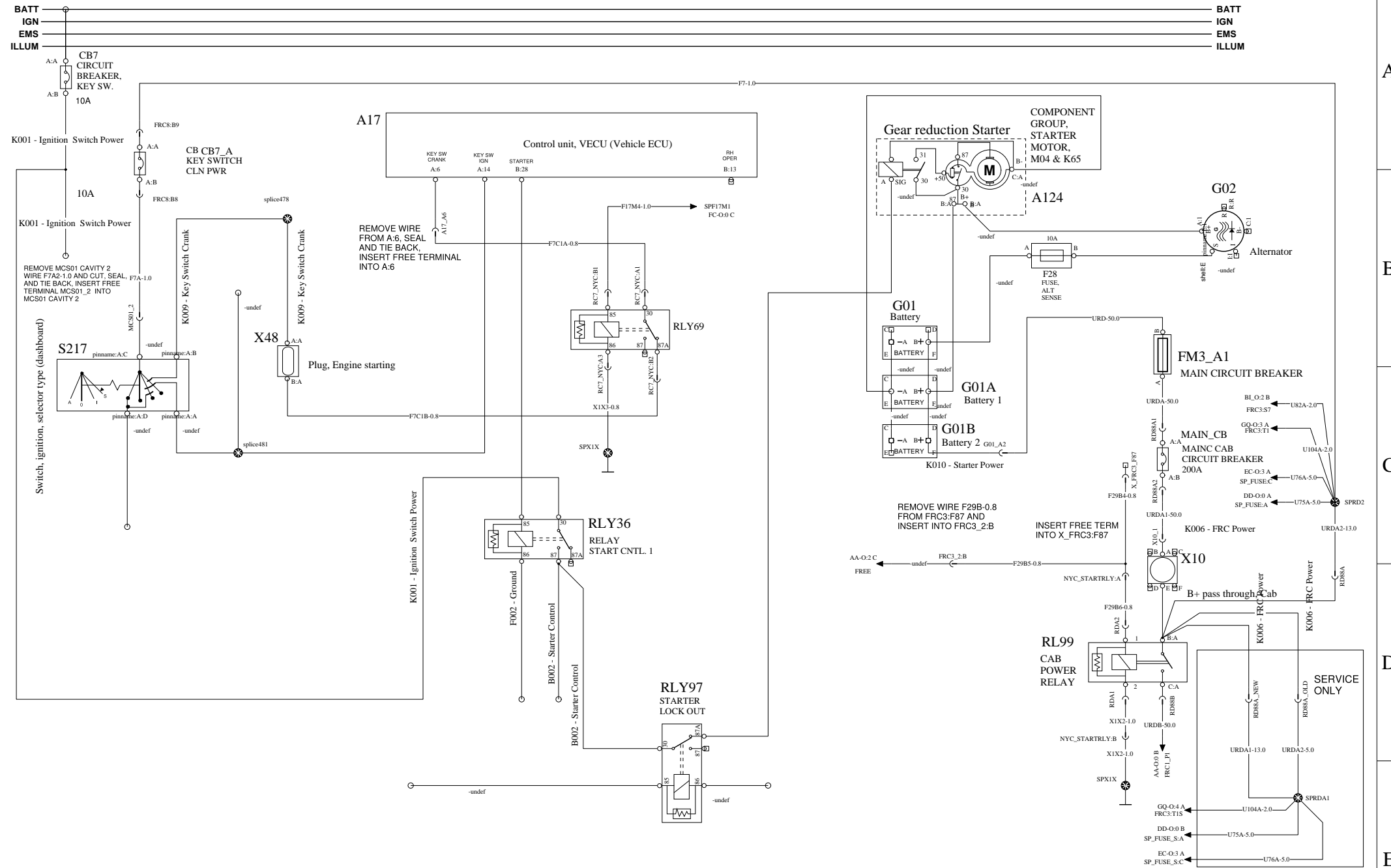
Mack Trucks Inc.

Document title	Document type
WIRING DIAGRAM - TYPE OL L1EH1 - NYC DOS	PRODUCT SCHEMATIC

Drawing No.	Revision	Page
22617224	04	2 (22)

NYC\_IGN\_DISCONNECT

WIRING DIAGRAM: AC-O



MACK

Mack Trucks Inc.

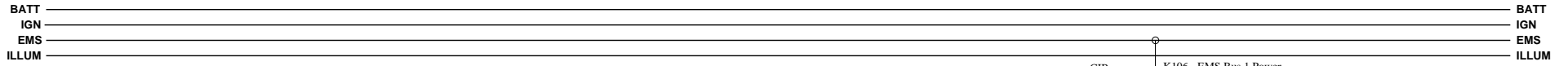
Document title  
WIRING DIAGRAM - TYPE OL L1EH1 - NYC DOS

Document type  
PRODUCT SCHEMATIC

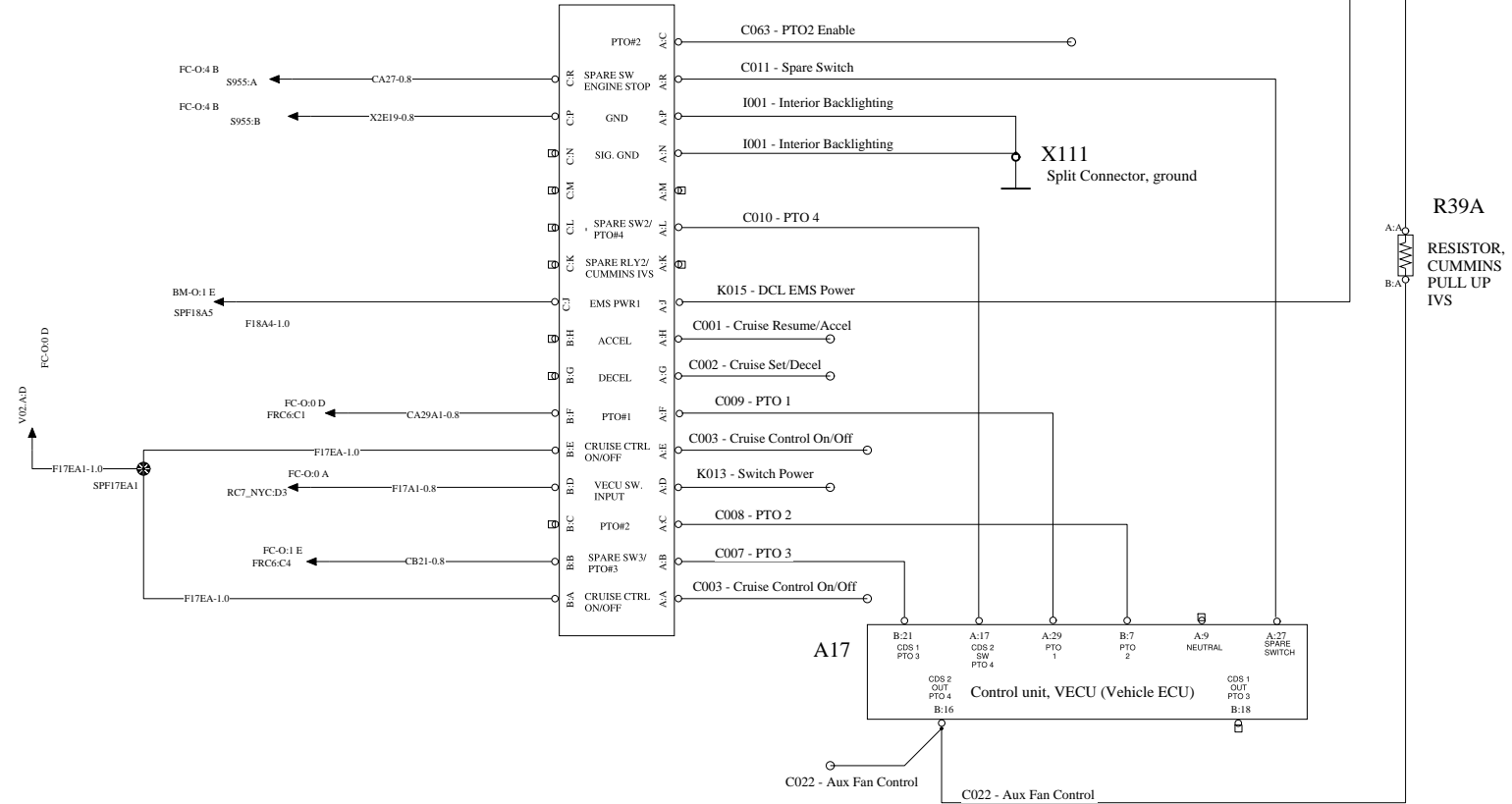
Drawing No.  
22617224

Revision  
04

Page  
3 (22)

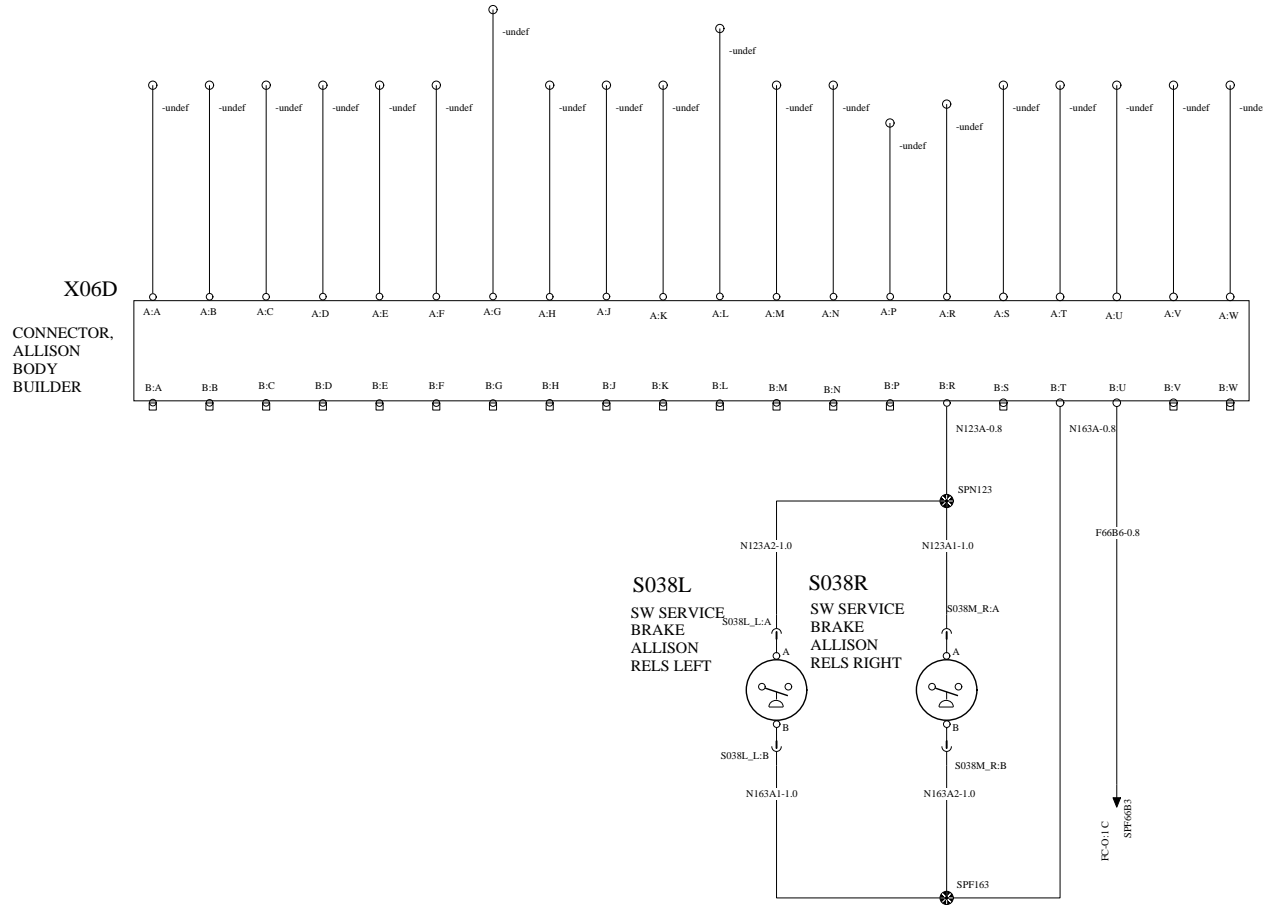
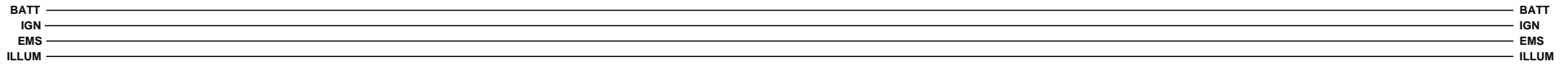


**X21A**  
Socket, Body builder connector



NYC\_BBM\_V3

WIRING DIAGRAM: BH-O



MACK

Mack Trucks Inc.

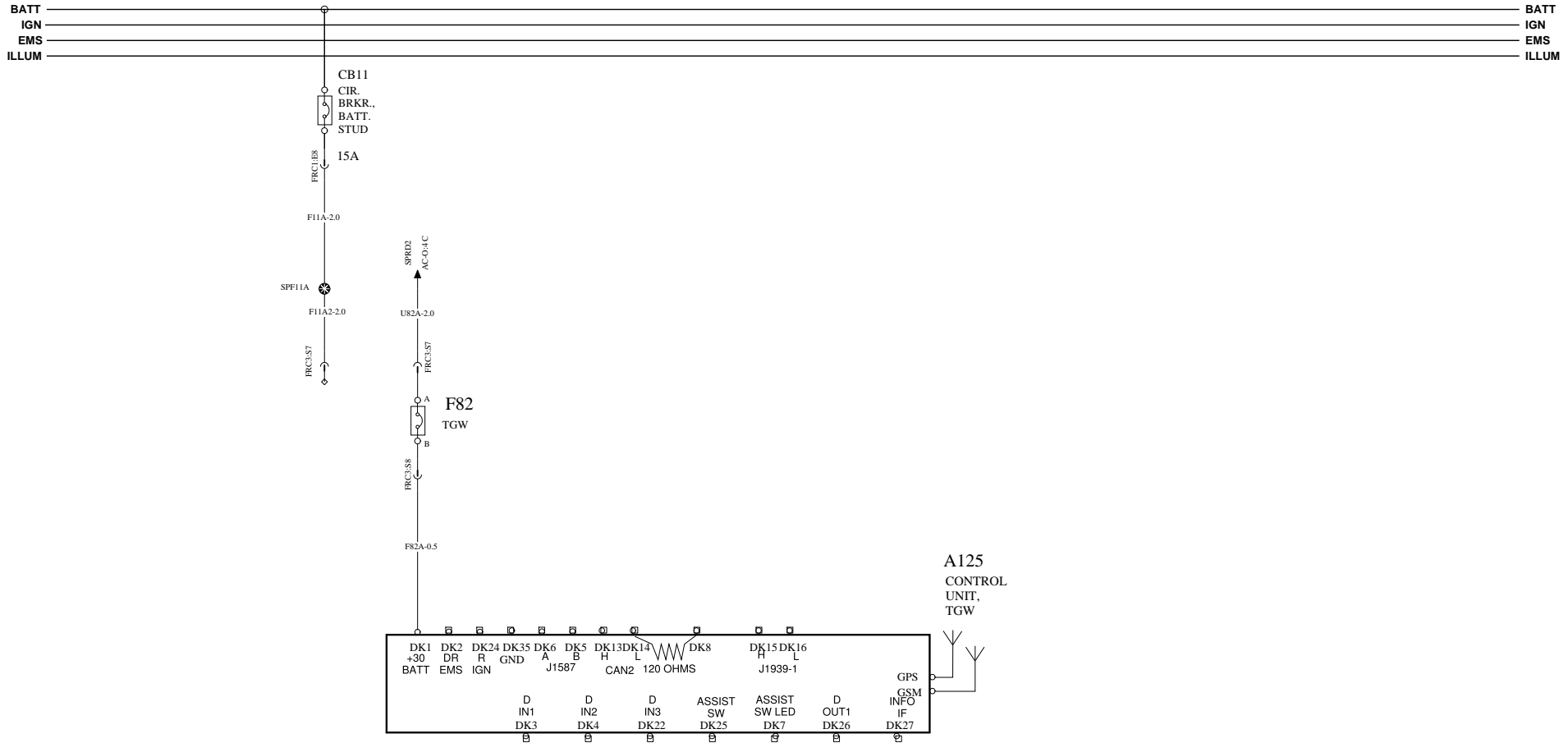
Document title  
WIRING DIAGRAM - TYPE OL L1EH1 - NYC DOS

Document type  
PRODUCT SCHEMATIC

Drawing No.  
22617224

Revision  
04

Page  
5 (22)

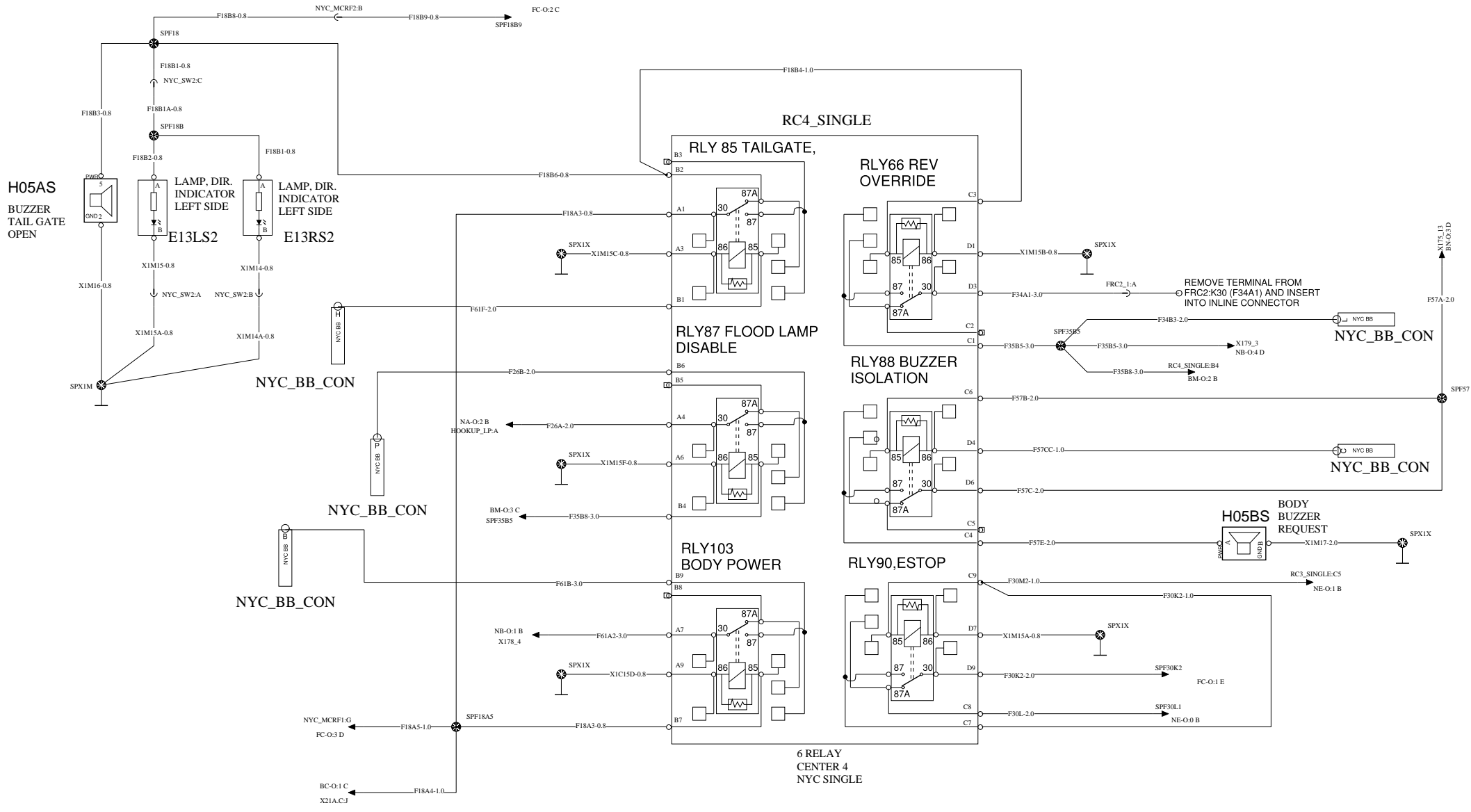


NYC\_SINGLE\_BIN\_BB

WIRING DIAGRAM: BM-O

BATT  
IGN  
EMS  
ILLUM

BATT  
IGN  
EMS  
ILLUM



MACK

Mack Trucks Inc.

Document title  
WIRING DIAGRAM - TYPE OL L1EH1 - NYC DOS  
Document type  
PRODUCT SCHEMATIC

Drawing No.  
22617224

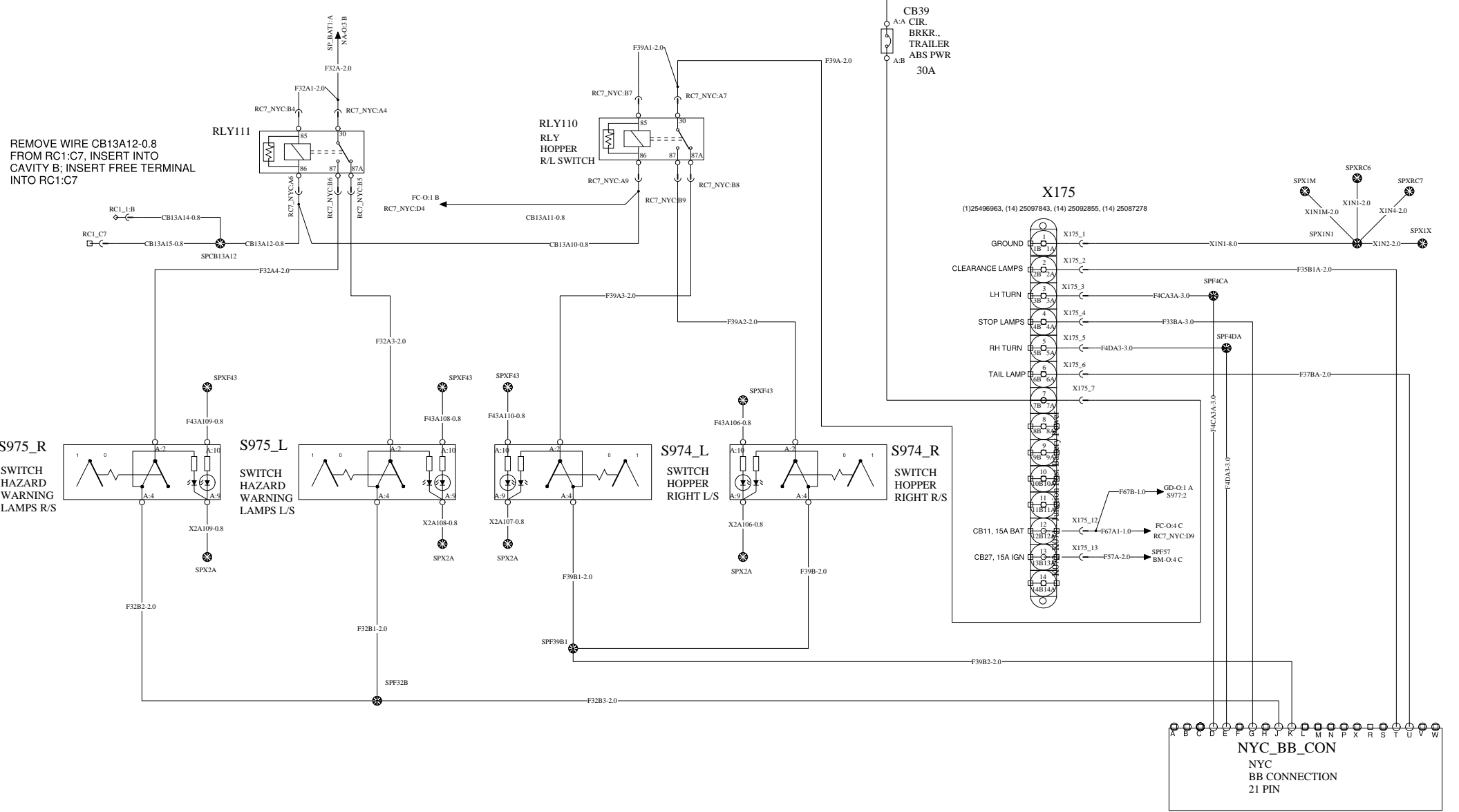
Revision  
04

Page  
7 (22)

WIRING DIAGRAM: BN-O

NYC\_SINGLE\_DUAL\_BIN\_BB

BATT  
IGN  
EMS  
ILLUM



**MACK**

Mack Trucks Inc.

Document title  
WIRING DIAGRAM - TYPE OL L1EH1 - NYC DOS

Document type  
PRODUCT SCHEMATIC

Drawing No.  
22617224

Revision  
04

Page  
8 (22)

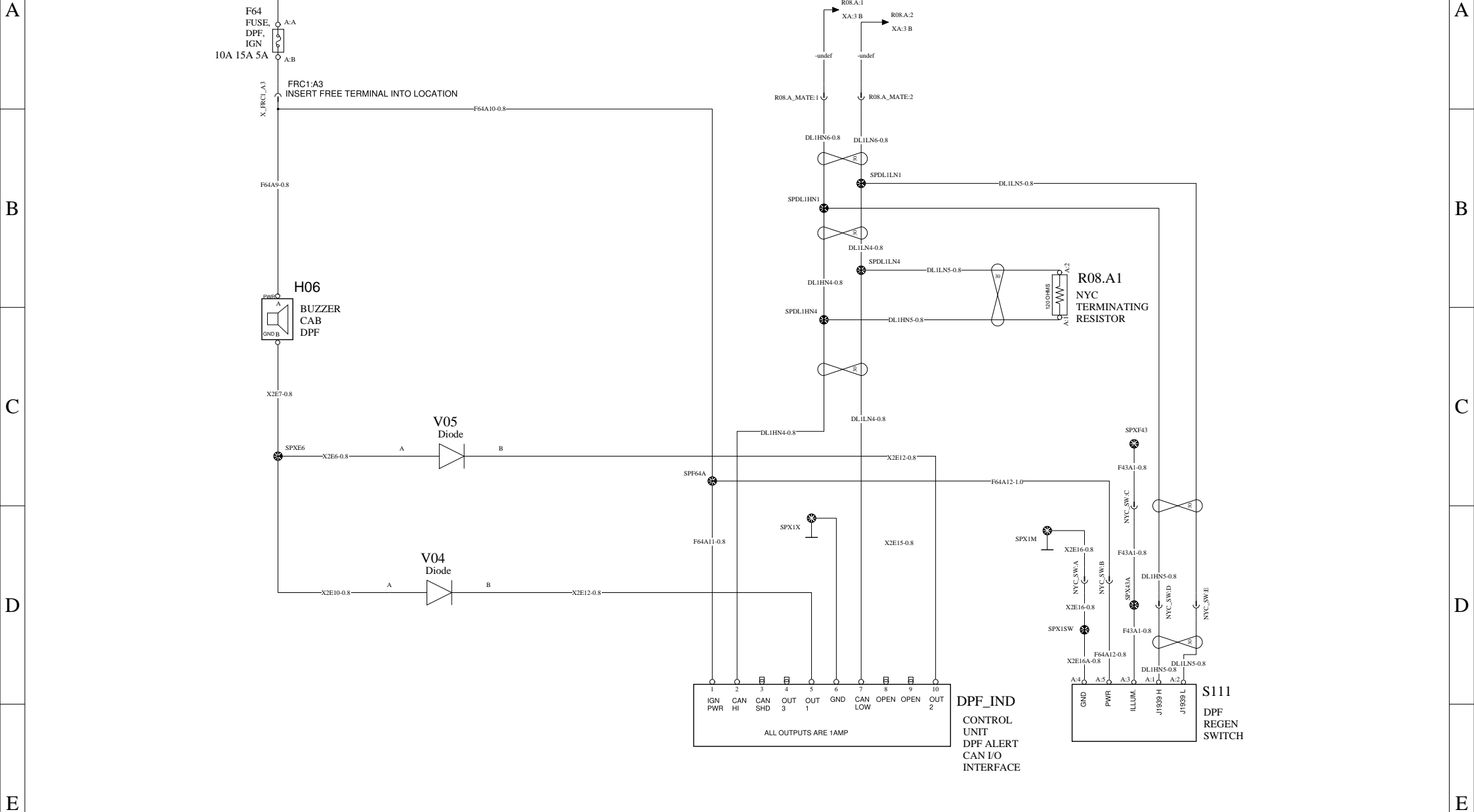


NYC\_DPF\_ALERT

WIRING DIAGRAM: CK-O

BATT  
IGN  
EMS  
ILLUM

BATT  
IGN  
EMS  
ILLUM



MACK

Mack Trucks Inc.

Document title  
WIRING DIAGRAM - TYPE OL L1EH1 - NYC DOS

Document type  
PRODUCT SCHEMATIC

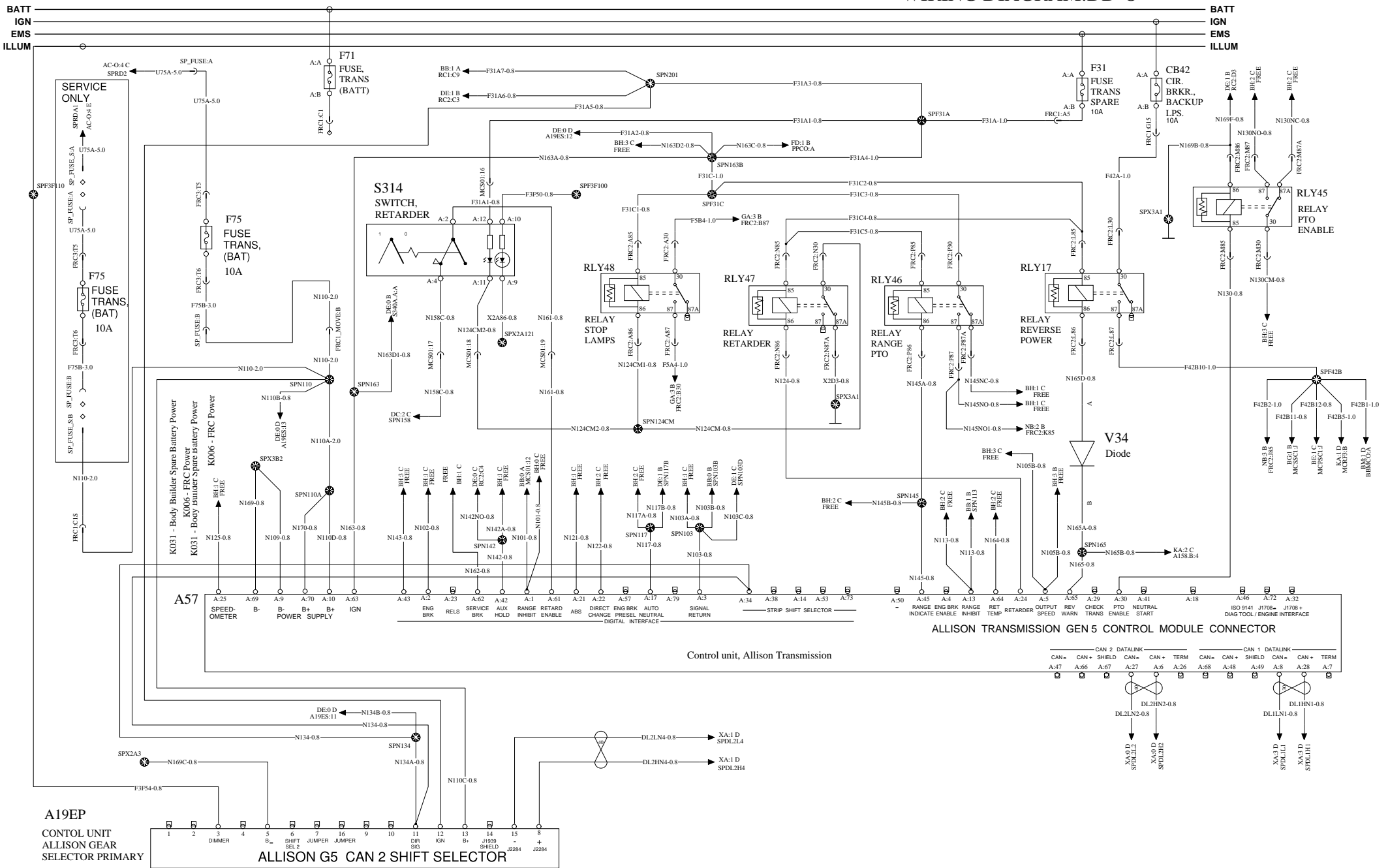
Drawing No.  
22617224

Revision  
04

Page  
9 (22)

# TRANSMISSION CONTROL 5th GENERATION

# WIRING DIAGRAM:DD-O



**MACK**

Mack Trucks Inc.

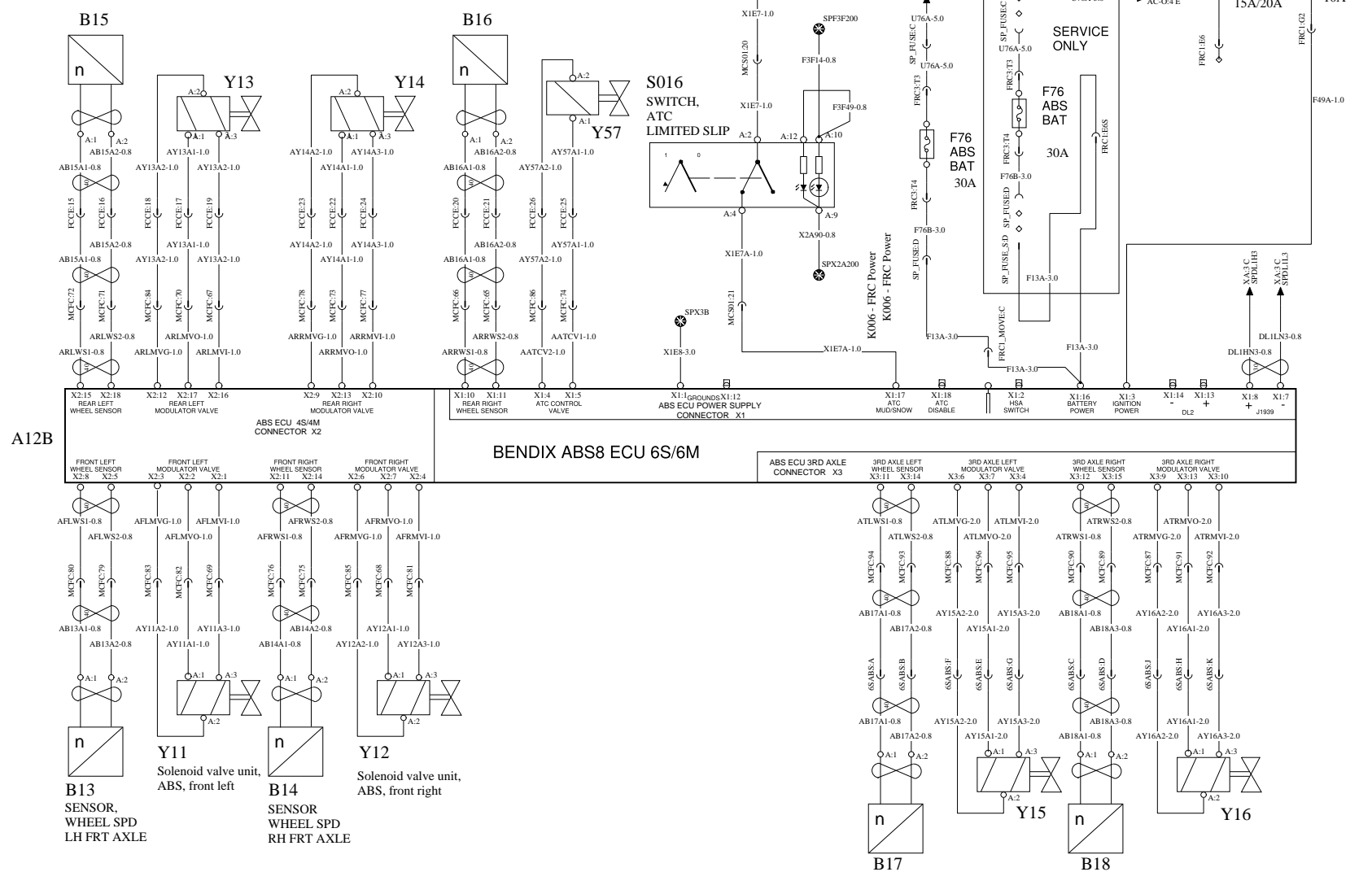
Document title  
**WIRING DIAGRAM**  
 Document type  
**PRODUCT SCHEMATIC**

Drawing No.	Revision	Page
<b>22617224</b>	<b>04</b>	<b>10 (22)</b>

ABS BENDIX 8

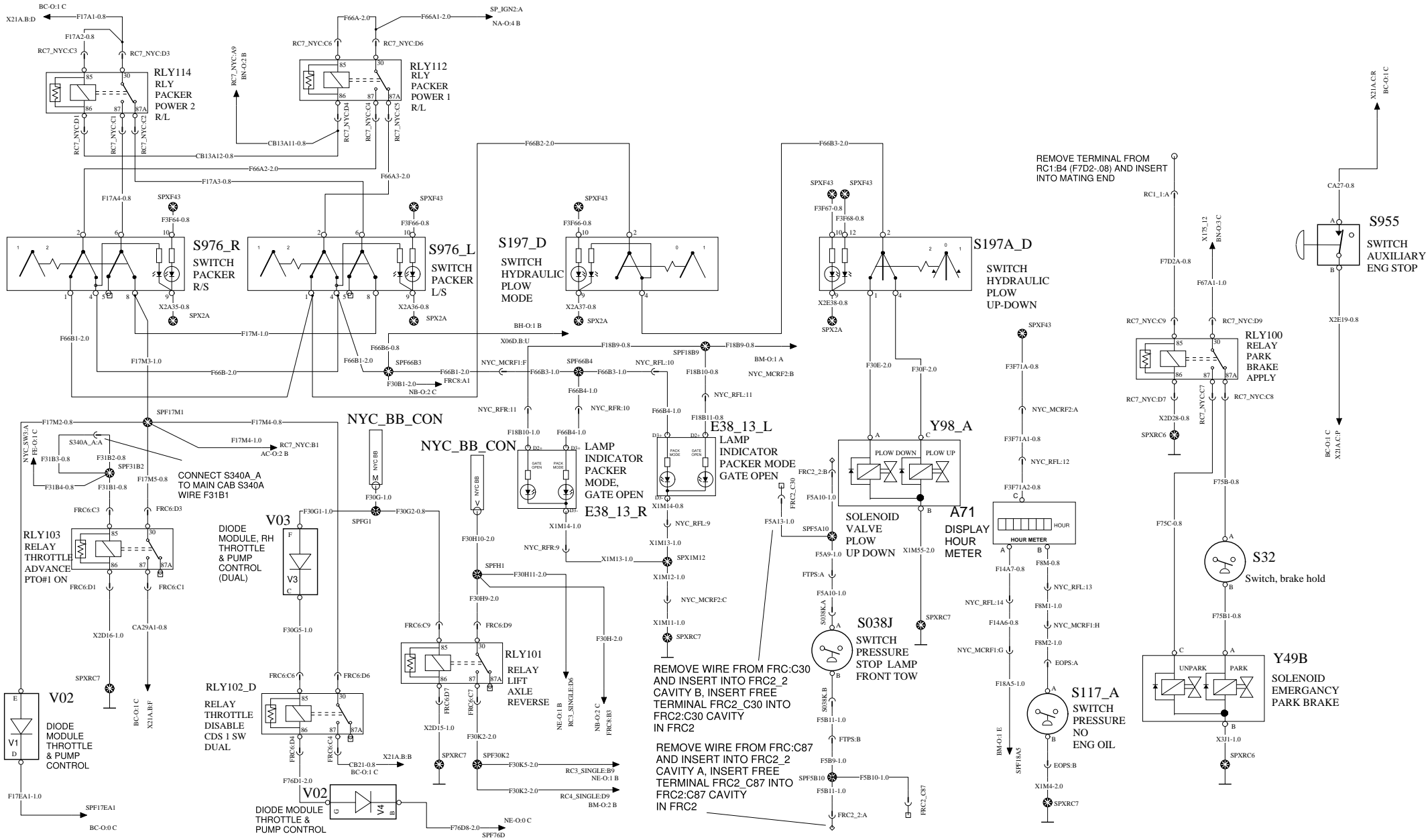
WIRING DIAGAM:EC-O

BATT  
IGN  
EMS  
ILLUM



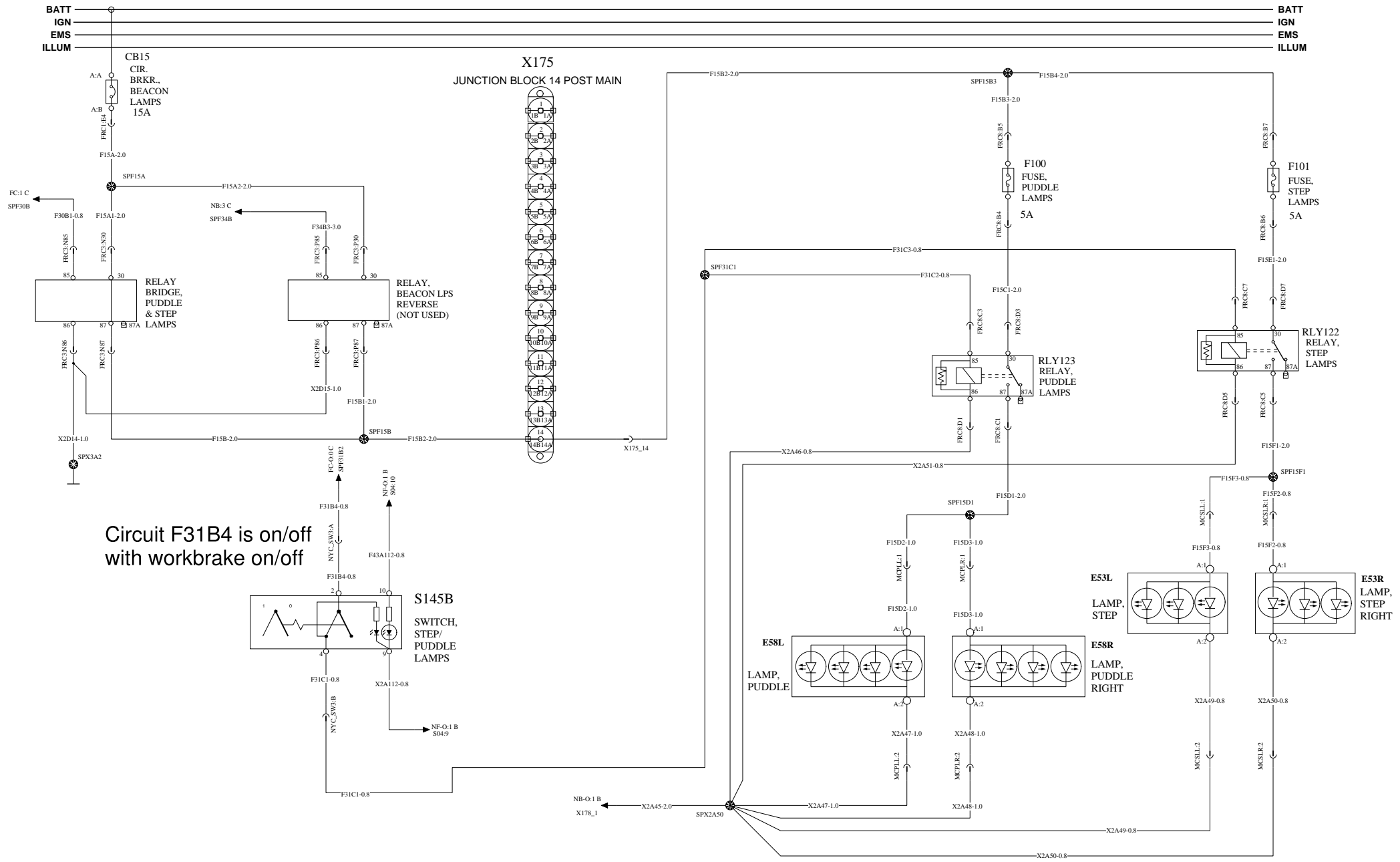
BATT  
IGN  
EMS  
ILLUM

BATT  
IGN  
EMS  
ILLUM



NYC SINGLE BIN STEP & PUDDLE WORKING LAMPS

WIRING DIAGRAM: FE-O



**MACK**

Mack Trucks Inc.

Document title  
WIRING DIAGRAM - TYPE OL L1EH1 - NYC DOS

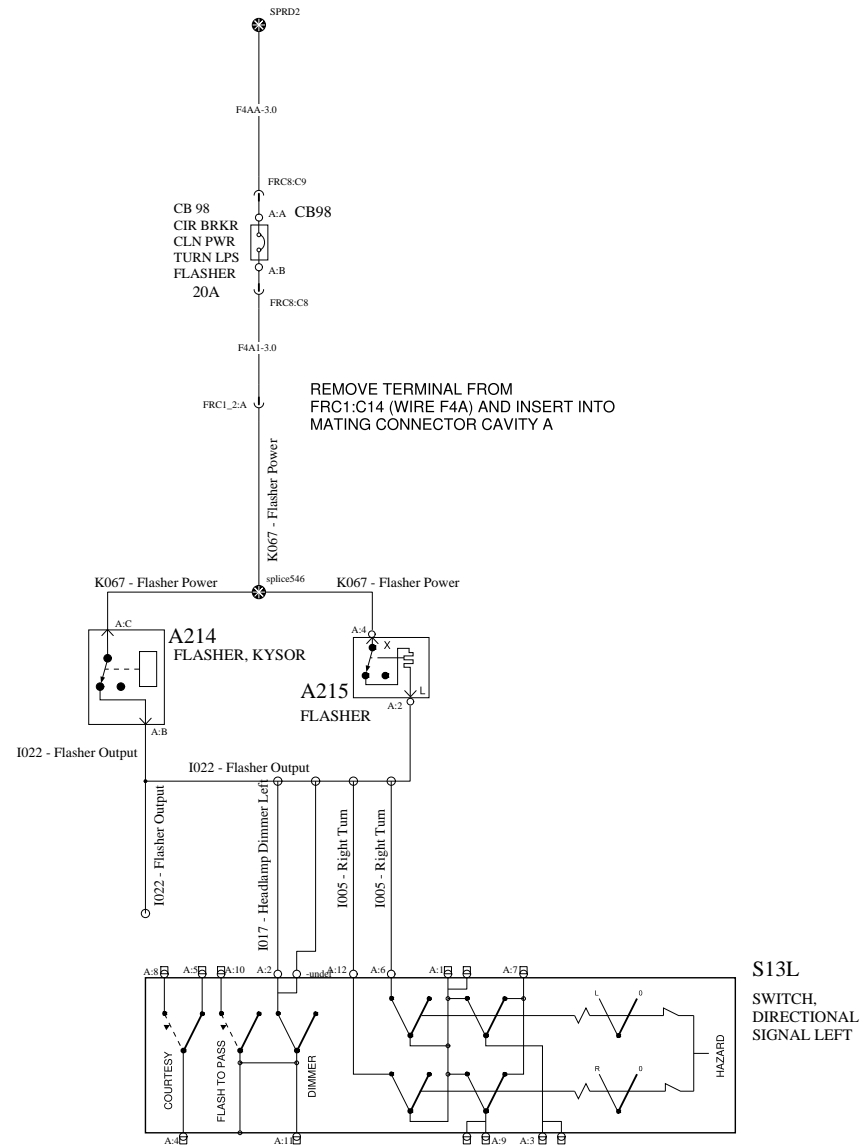
Document type  
PRODUCT SCHEMATIC

Drawing No.  
**22617224**

Revision  
**04**

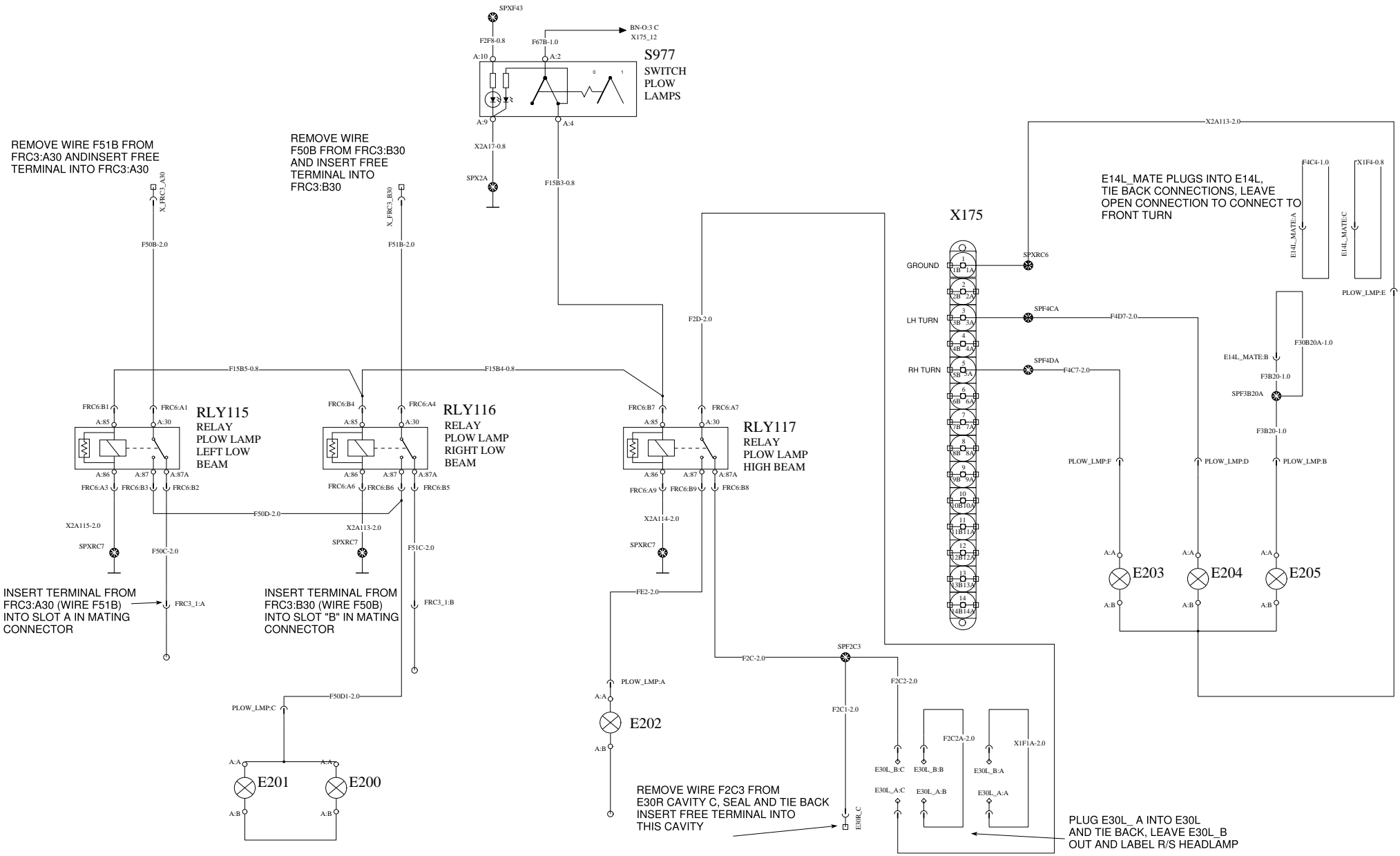
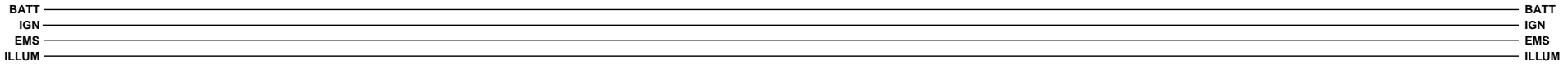
Page  
**13 (22)**

BATT \_\_\_\_\_ BATT  
 IGN \_\_\_\_\_ IGN  
 EMS \_\_\_\_\_ EMS  
 ILLUM \_\_\_\_\_ ILLUM



NYC\_LIGHTING\_PLOW\_LIGHTS

WIRING DIAGRAM: GD-O

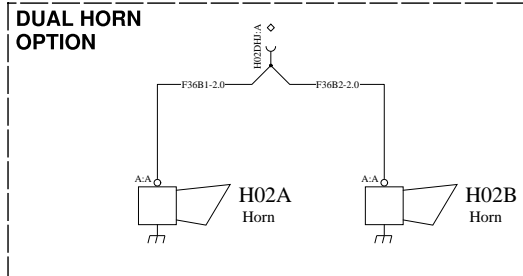
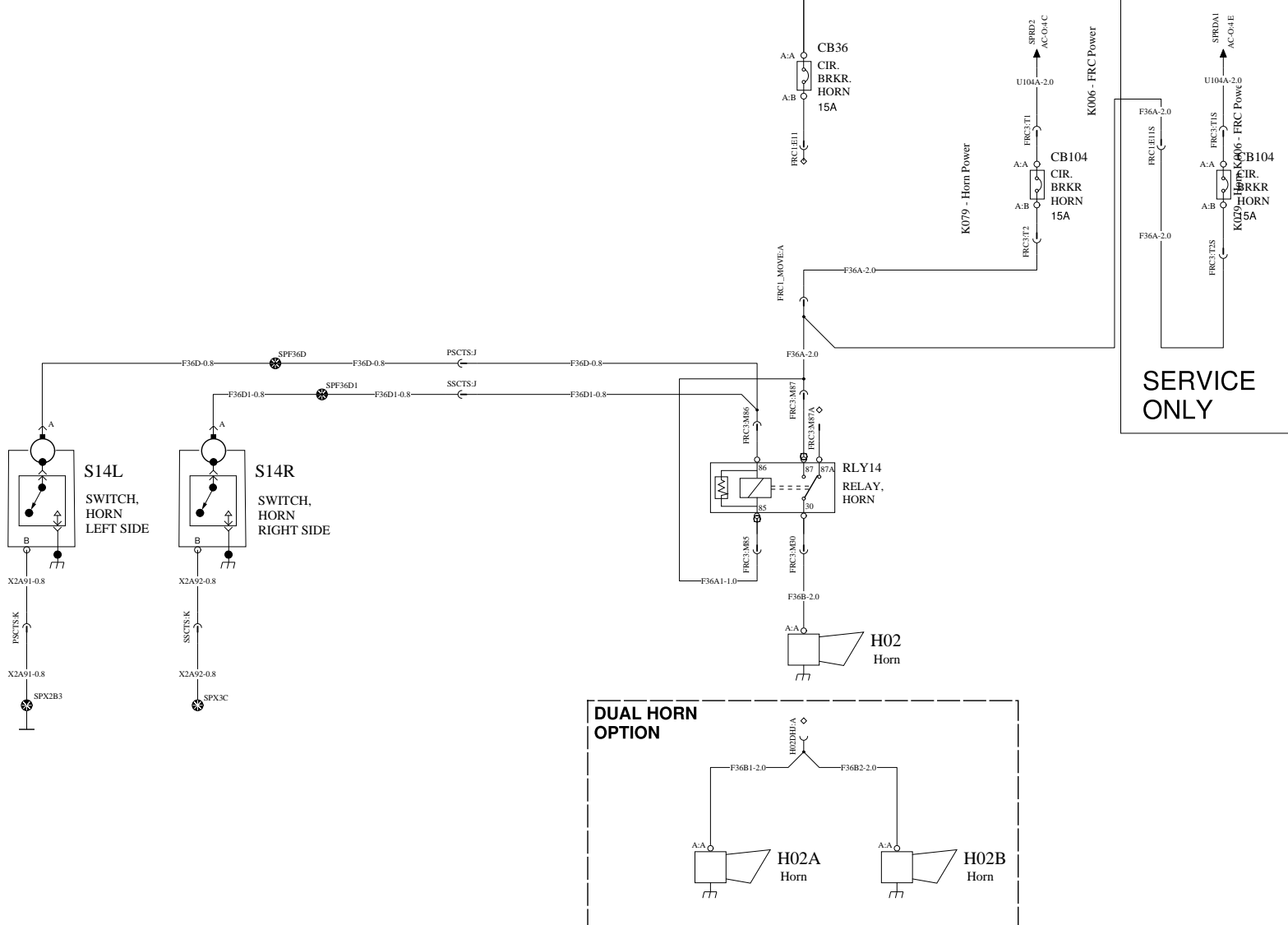


HORN WIRING

WIRING DIAGRAM:GQ-O

BATT  
IGN  
EMS  
ILLUM

BATT  
IGN  
EMS  
ILLUM



**MACK**

Mack Trucks Inc.

Document title  
WIRING DIAGRAM

Document type  
PRODUCT SCHEMATIC

Drawing No.

22617224

Revision

04

Page

16 (22)

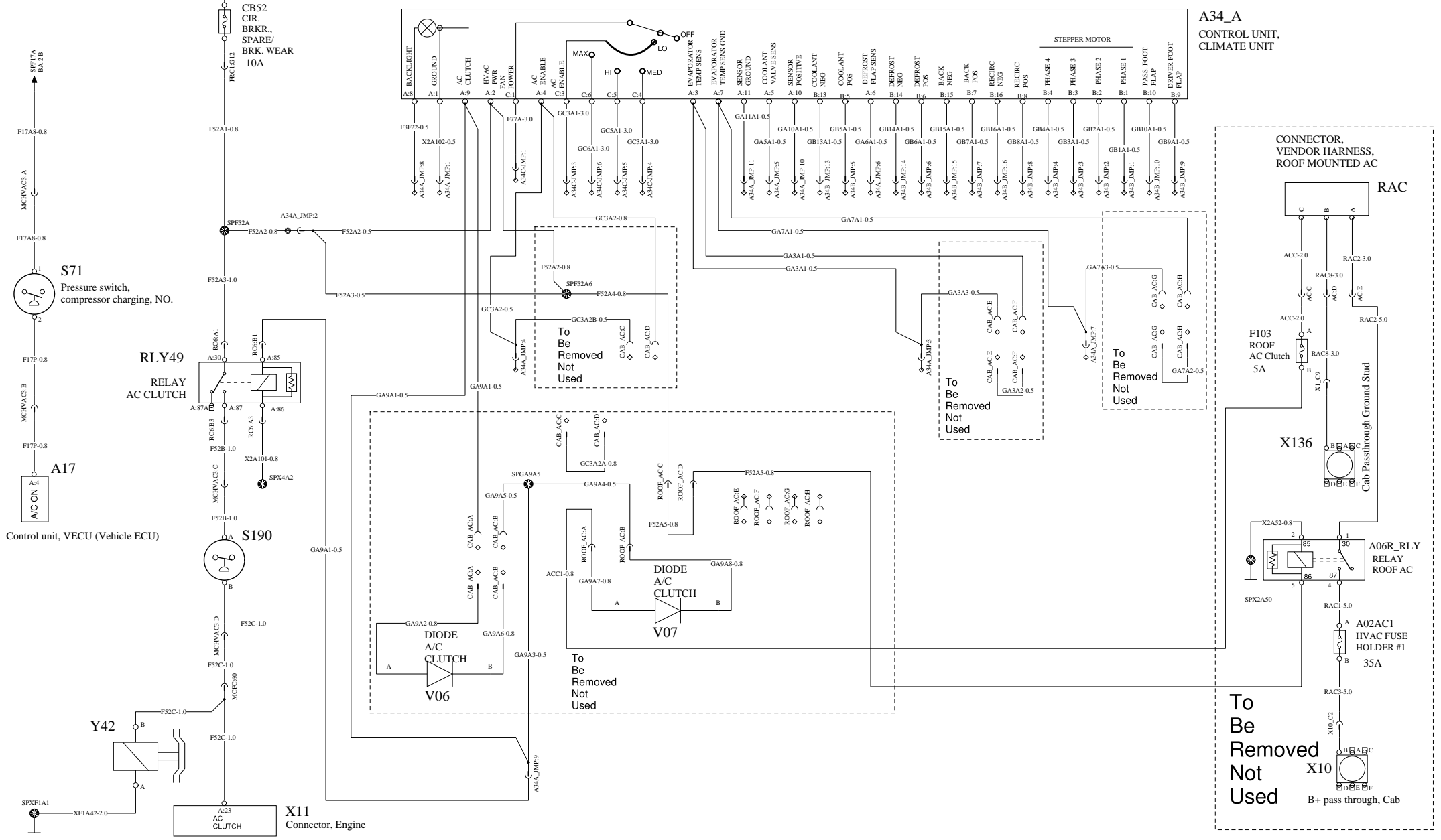


# CLIMATE CONTROL, HVAC JUMPER & ROOF AIR

# WIRING DIAGRAM: HA-O

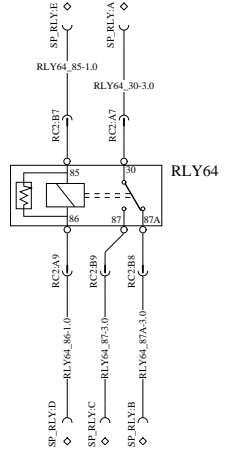
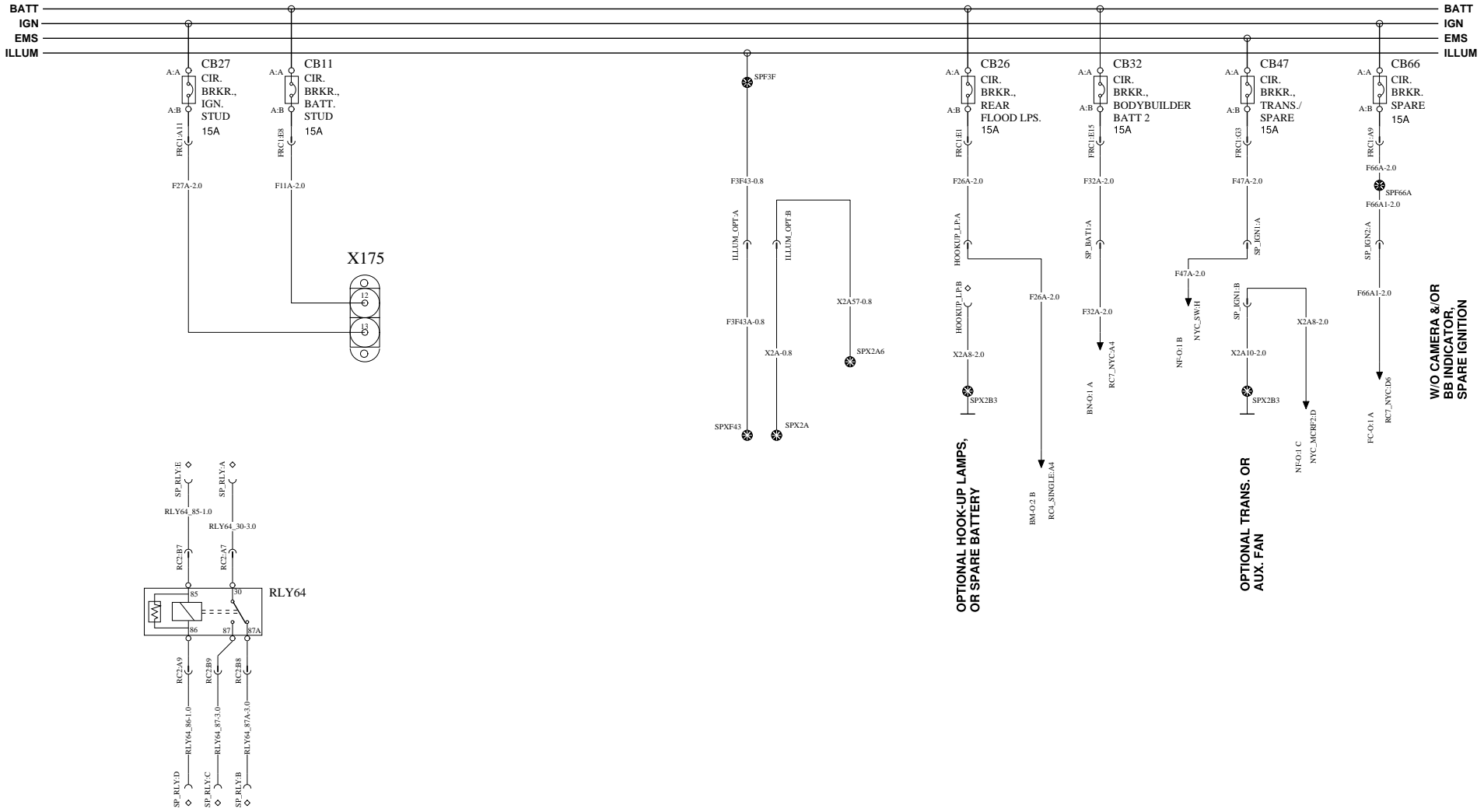
BATT  
IGN  
EMS  
ILLUM

BATT  
IGN  
EMS  
ILLUM



NYC\_SPARE\_CONNECTORS\_&\_FEEDS

WIRING DIAGRAM: NA-O



**MACK**

Mack Trucks Inc.

Document title  
WIRING DIAGRAM - TYPE OL L1EH1 - NYC DOS  
Document type  
PRODUCT SCHEMATIC

Drawing No.  
22617224

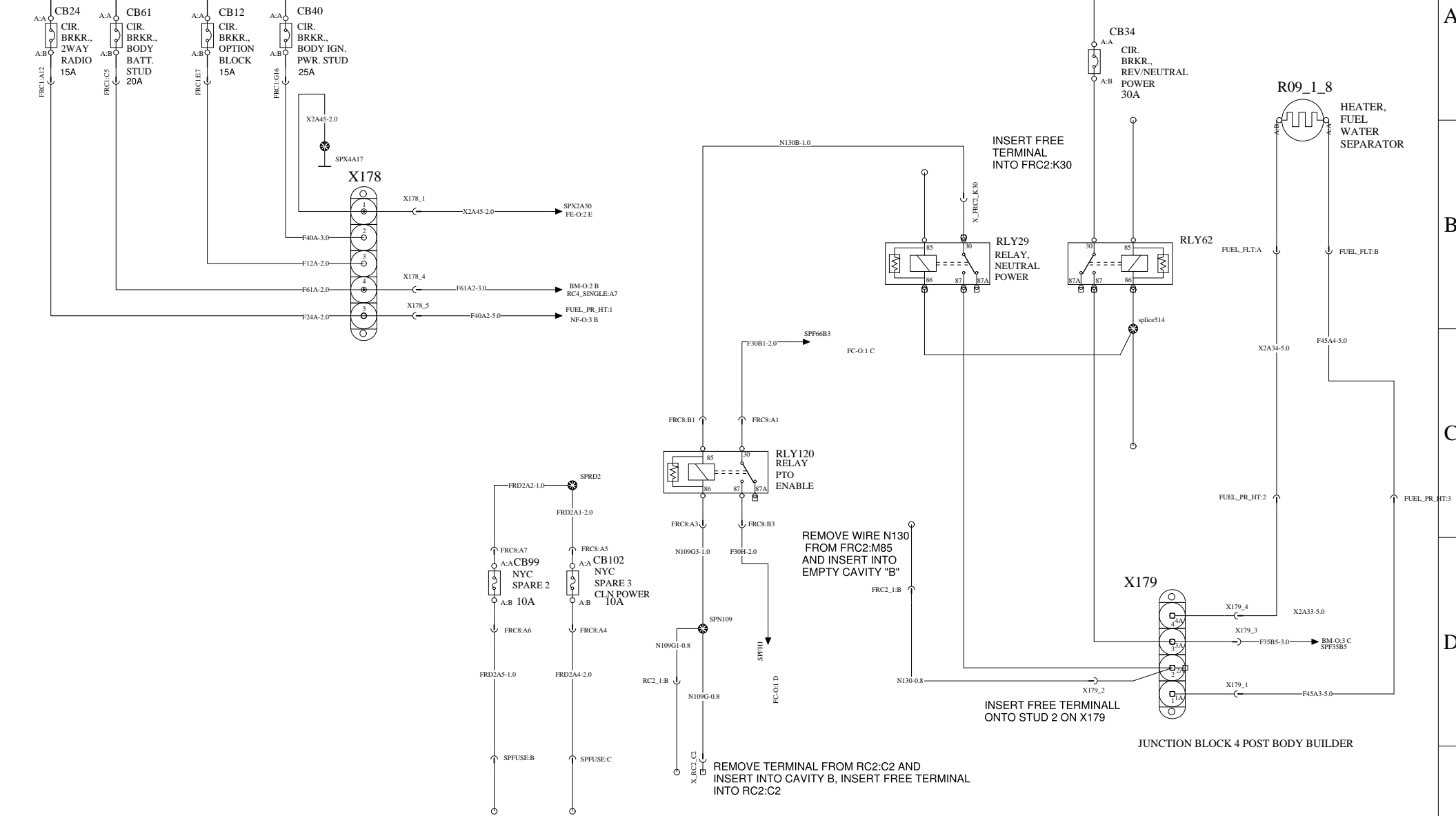
Revision  
04

Page  
18 (22)

NYC\_SPARES\_FEEDS\_V1

WIRING DIAGRAM: NB-O

BATT  
IGN  
EMS  
ILLUM



**MACK**

Mack Trucks Inc.

Document title  
WIRING DIAGRAM - TYPE OL L1EH1 - NYC DOS

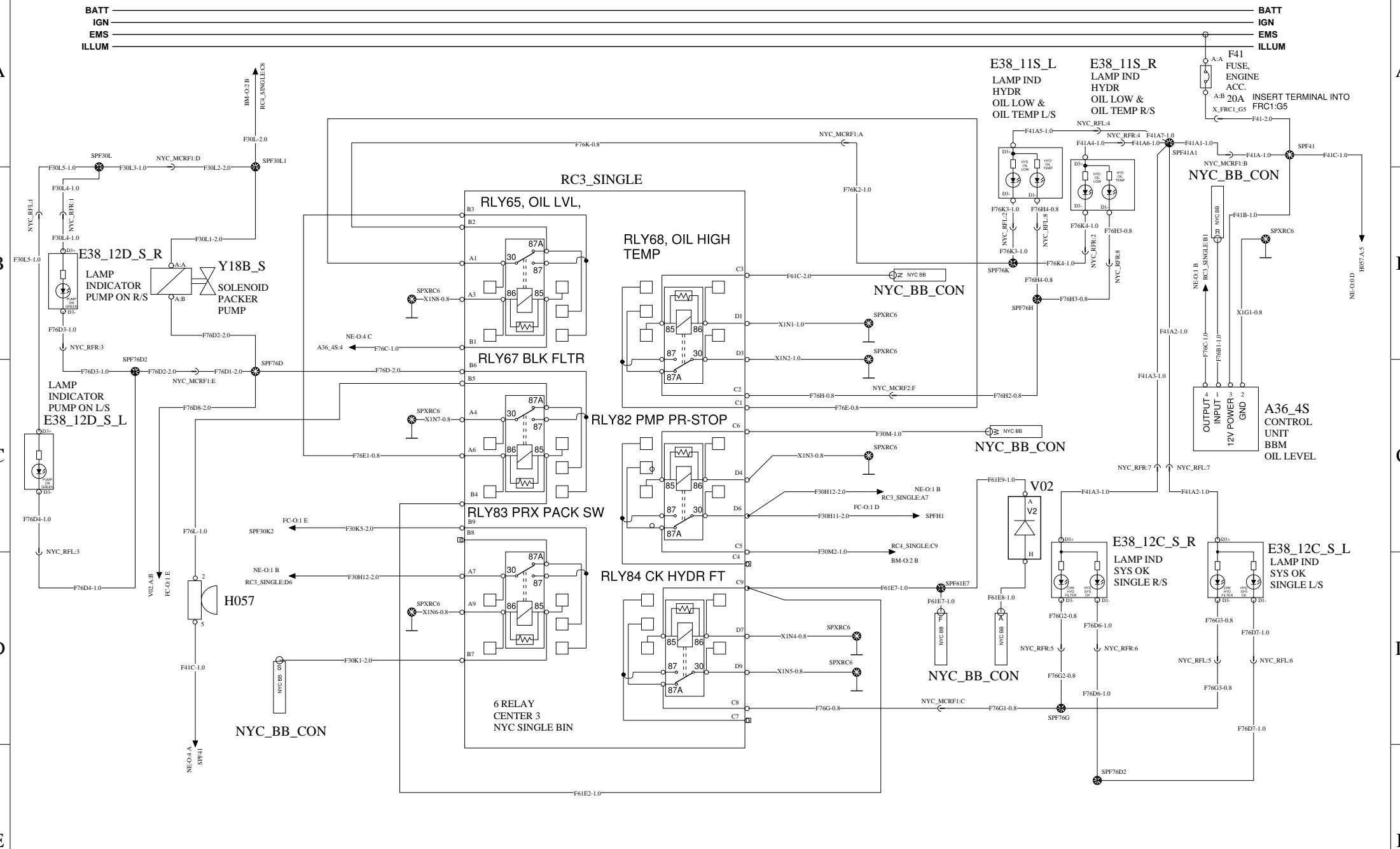
Document type  
PRODUCT SCHEMATIC

Drawing No.  
22617224

Revision  
04

Page  
19 (22)

WIRING DIAGRAM: NE-O

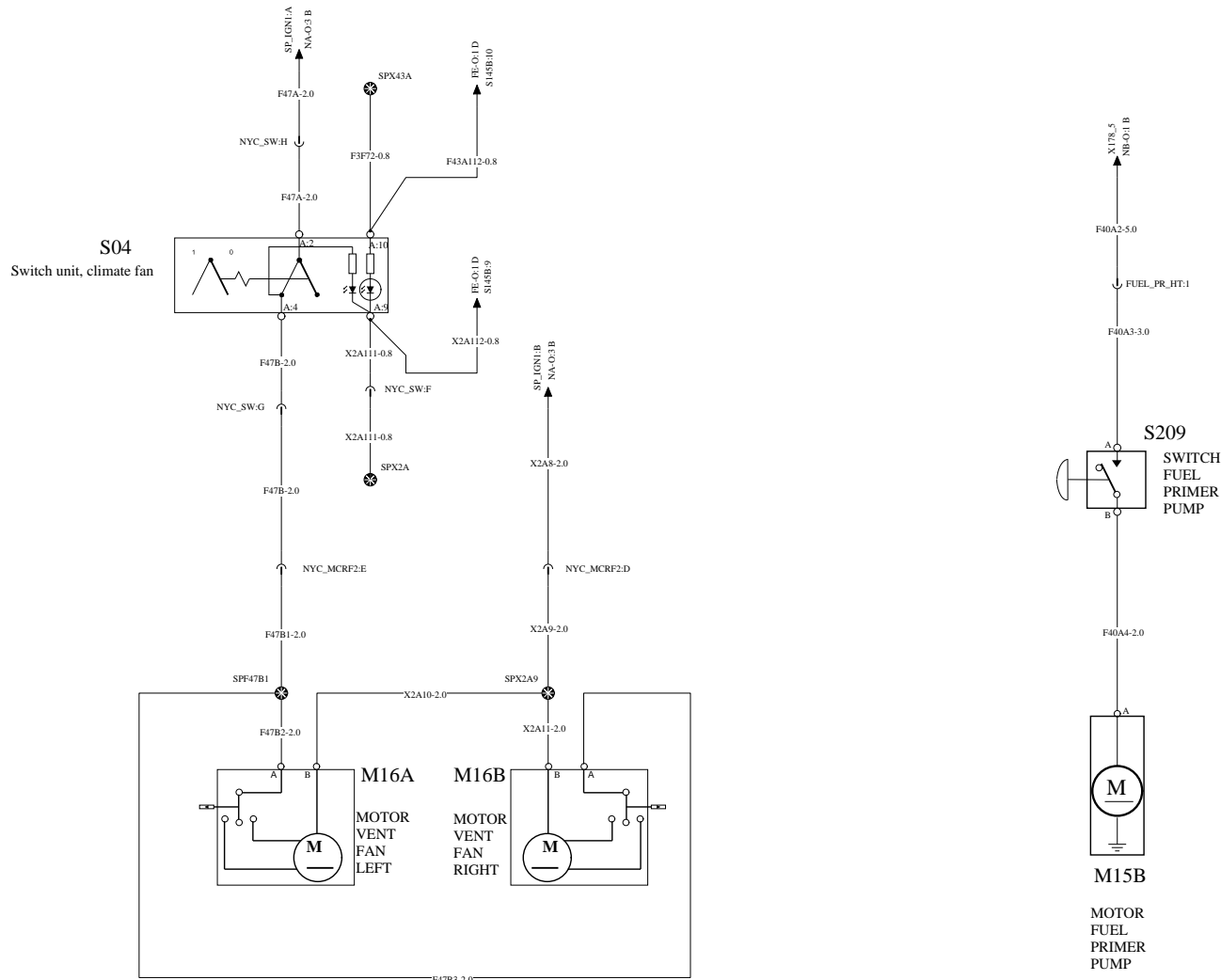


Mack Trucks Inc.

Document title WIRING DIAGRAM - TYPE OL L1EH1 - NYC DOS
Document type PRODUCT SCHEMATIC

Drawing No. <b>22617224</b>	Revision <b>04</b>	Page <b>20 (22)</b>
--------------------------------	-----------------------	------------------------

BATT \_\_\_\_\_ BATT  
 IGN \_\_\_\_\_ IGN  
 EMS \_\_\_\_\_ EMS  
 ILLUM \_\_\_\_\_ ILLUM



BATT  
IGN  
EMS  
ILLUM

