

Engineering Release Notice (ERN)	Location	Change Description	A = Added D = Deleted	W = Was	Document Release Status
D-18718-73		See DCN			Date RELEASED Modification Count

WIRING DIAGRAM INDEX

NAME	DESCRIPTION	PAGE	NAME	DESCRIPTION	PAGE
AA	POWER DISTRIBUTION FRC 1/2	2	GJ	BEACON LAMPS	54
AB	POWER DISTRIBUTION FRC 2/2	3	GK	HOOK UP LAMPS	55
AC	POWER DISTRIBUTION EFRC 1/2	4	GL	FOG LIGHTS	56
AD	POWER DISTRIBUTION EFRC 2/2	5	GM	DRIVING/SIGNAL LIGHTS:CONSTRUC	57
AE	GROUNDING	6	GP	WINSHIELD WIPER/WASHER	58
AF	STARTING AND CHARGING	7	GQ	HORN	59
AG	VEHICLE ECU 1/3 EMS POWER CONTROL	8	HA	CLIMATE CONTROL	60
AH	VEHICLE ECU 2/3	9	HB	SLEEPER CLIMATE CONTROL W/LECM 70" SLEEP	61
AI	VEHICLE ECU 3/3	10	HC	SHORE POWER W/O INVERTER	62
AJ	VECU, PTO AND PDLO SWITCHES	11	HD	SLEEPER FUNCTIONS W/O LECM 48 INCH BASI	63
AM	STARTING AND CHARGING, ISX-G WITH IN FRA	12	HE	LIGHTING AND POWER OUTLETS 70" SLEEPER	64
AQ	POWER DISTRIBUTION / KEY SWITCH	13	HF	SLEEPER COURTESY AND UNDER BUNK	65
BA	INSTRUMENT CLUSTER 1/2	14	HH	SLEEPER PIPE LIGHTING SWITCH	66
BB	INSTRUMENT CLUSTER 2/2	15	HI	SHORE POWER W/INVERTER	67
BE	PEOPLENET	16	HJ	AUXILLIARY 12V PARK COOLING SYSTEM	68
BF	QUALCOMM	17	HK	APADS	69
BG	TELEMATICS GATEWAY (TGW)	18	HL	SLEEPER CLIMATE CONTROL W/LECM 48" SLEEP	70
BH	ALLISON BODY BUILDER INTERFACE	19	HM	LIGHTING AND POWER OUTLETS 48" SLEEPER	71
BI	BODY BUILDER CAB INTERFACE	20	IA	COURTESY LIGHTS - DRIVING COMPARMENT	72
BK	BODYBUILDER BODYLINK	21	IB	COURTESY LIGHTS - DAYCAB AND HOS SLEEPER	73
BL	BATTERY BUSSING	22	IC	COURTESY LIGHTS - 48" SLEEPER	74
BN	BODYBUILDER TURNPIKE	23	ID	COURTESY LIGHTS - 70" SLEEPER	75
BP	ISX-G FUEL SYSTEM	24	IF	POWER WINDOWS/MIRRORS/LOCKS	76
BY	TMC RP 1226 CONNECTORS	25	IG	REMOTE DOOR LOCKING	77
CA	ENGINE HEATER	26	IH	BRIGHTWORK	78
CB	ENGINE CONTROL MACK ENGINE	27	IJ	HEATED SEATS/SEATBELT REMINDER/HEATED WI	79
CL	ENGINE CONTROL ISX-G	28	IK	CIGAR LIGHTER / AUX POWER	80
CM	METHANE DETECTION	29	JA	SEAT SRS	81
CN	UREA DOSING SYSTEM - MACK ENGINE OBD 201	30	JE	ADAPTIVE CRUISE CONTROL	82
DA	TRANSMISSION MDRIVE	31	JF	LANE CHANGE SUPPORT SYSTEM	83
DB	TRANSMISSION CONTROL - ULTRASHIFT	32	JG	LANE DEPARTURE WARNING -DAYCAB AND 48" S	84
DE	TRANSMISSION CONTROL ALLISON 1/2	33	JH	LANE DEPARTURE WARNING - 70 " SLEEPER	85
DF	ALLISON TRANSMISSION CONTROLS 2/2	34	KA	AUDIO SYSTEM - DAYCAB	86
DP	MDRIVE DUAL PTO	35	KB	AUDIO SYSTEM - SLEEPERS	87
EA	ABS CONTROL WABCO	36	KC	AUDIO SYSTEM SPEAKER OUTPUTS W/ AMPLIFIE	88
EB	SUSPENSION ECU 6X2	37	KD	AUDIO SYSTEM - BLUETOOTH	89
EC	ABS CONTROL BENDIX	38	KL	INFOTAINMENT AUDIO SYSTEM 1/2	90
ED	ABS CONTROL BENDIX ECS	39	KM	INFOTAINMENT AUDIO SYSTEM 2/2	91
FA	AIR DRYER/HEATED DRAIN VALVE	40	MA	TRAILER CABLE	92
FD	CHASSIS SOLENOIDS 1/2	41	MB	TRAILER CABLE OPTIONS	93
FE	CHASSIS SOLENOIDS 2/2	42	MC	TRAILER CABLES OPTIONS	94
FG	TIRE PRESSURE MONITOR	43	MD	CENTER PIN HOT	95
FH	MACK COMMAND STEERING	44	NA	SPARE SWITCHES AND AUXSW-6 OPTION	96
GA	LIGHTING CONTROL 1/2	45	NB	SPARE SWITCHES - AUXS-8BB	97
GB	LIGHTING CONTROL 2/2	46	NC	SPARE SWITCHES - BBM-PK16	98
GC	CLEARANCE LAMPS	47	ND	TAILGATE LIFT POWER	99
GD	DRIVING/SIGNAL LIGHTS: AERO OR CONSTRUC	48	XA	DIAGNOSTICS 1/4 (DL4 - J1587 & DL2 - J22	100
GE	LIGHTING FORWARD SIGNAL: CLASSIC	49	XB	DIAGNOSTICS 2/4 (CAB DL1 - J1939)	101
GF	TAIL LAMPS W/ ALARM	50	XC	DIAGNOSTICS 3/4 (CHASSIS DL1 - J1939)	102
GG	LIGHT CONTROL - BACK UP LAMPS	51	XD	DIAGNOSTICS 4/4 (CHASSIS DL1 - 1939)	103
GH	SIDE REPEATER/MARKER OPTIONS	52	XF	DIAGNOSTICS CUMMINS (DL10)	104
GI	SNOW PLOW PREP	53			

The copying, distribution and utilization of this document as well as the communication of its contents to others without expressed authorization is prohibited. Offenders will be held liable for payment of damages. All rights reserved in the event of the grant of a patent, utility model or ornamental design registration.

Document title

WIRING DIAGRAM, 12V MACK CONVENTIONAL

VOLVO

Group Trucks Technology

The legal owner of this document is as stated under "Design Location" in KOLA and in the associated "Part Version Report"

Document type

PRODUCT SCHEMATICS

Document No

23970505

Issue

02

Volume

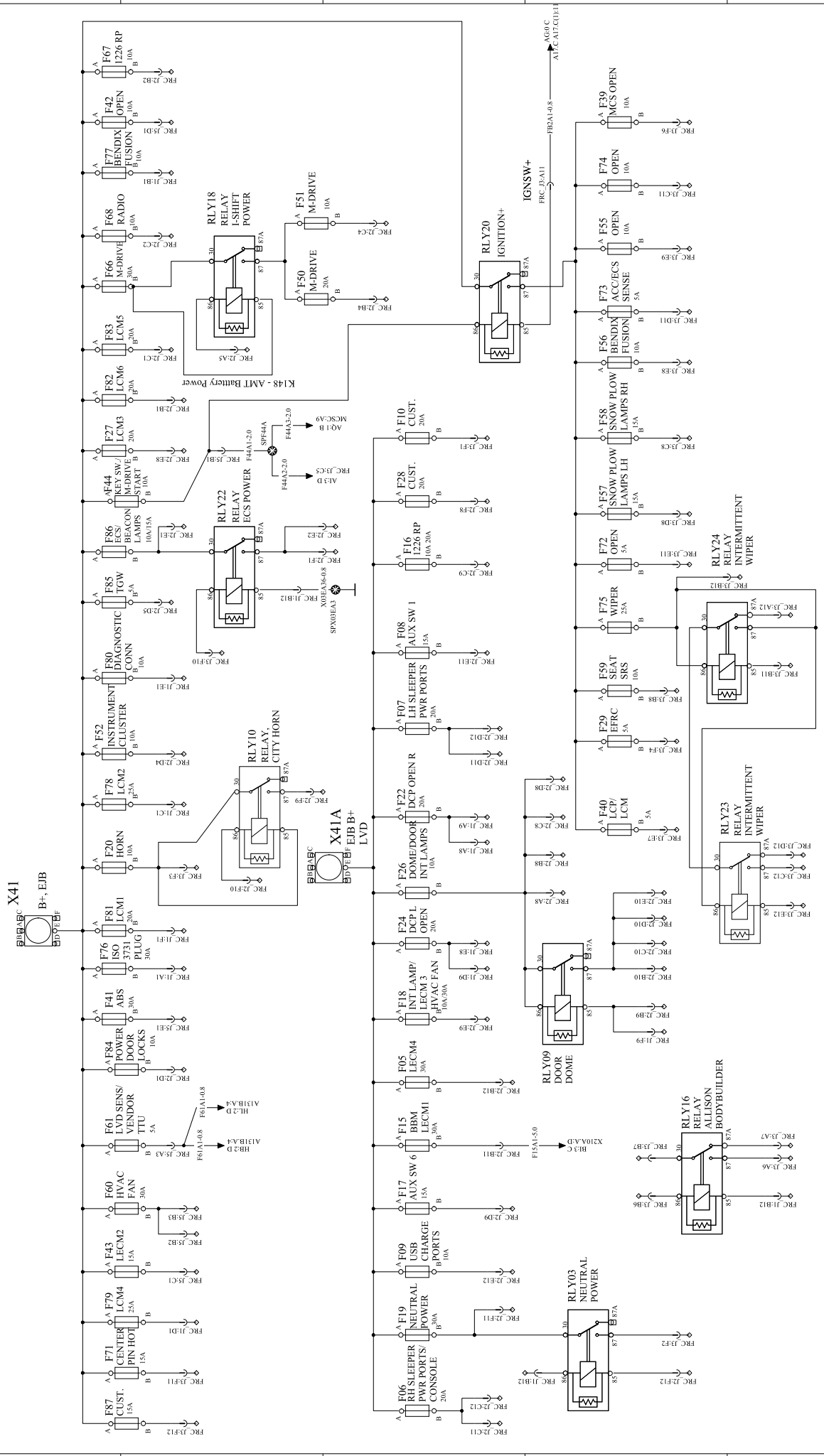
1 (1)

Sheet No

1 (104)

POWER DISTRIBUTION FRC 1/2

WIRING DIAGRAM: AA



Document title WIRING DIAGRAM, 12V MACK CONVENTIONAL		Document No 23970505	Issue 02	Volume 1 (1)	Page 2 (104)
Document type PRODUCT SCHEMATIC					

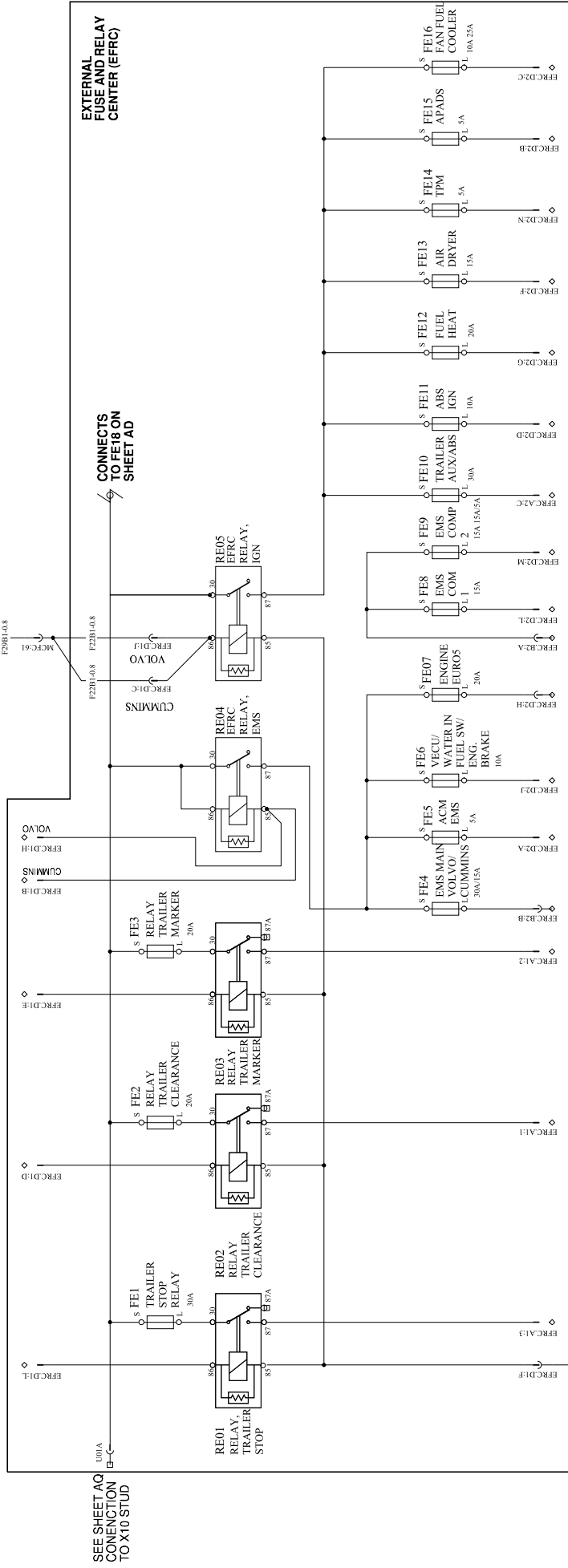
POWER DISTRIBUTION EFRC 1/2

WIRING DIAGRAM: AC

IGN

A

A



B

B

C

C

D

D

E

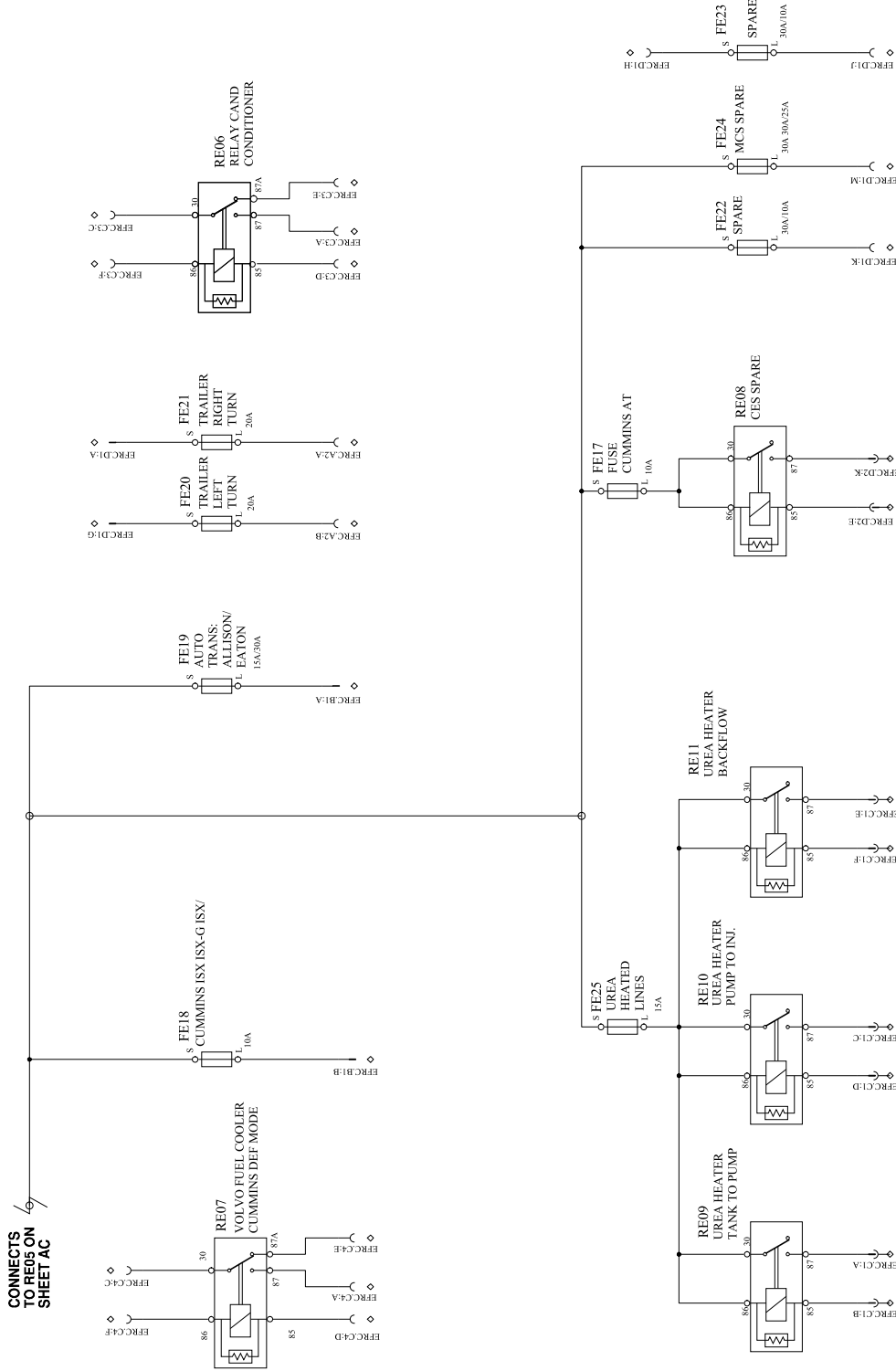
E

Document title WIRING DIAGRAM, 12V MACK CONVENTIONAL		Document No 23970505	Issue 02	Volume 1 (1)	Page 4 (104)
Document type PRODUCT SCHEMATIC					

Volvo Truck Corporation

POWER DISTRIBUTION EFRC 2/2

WIRING DIAGRAM: AD



Volvo Truck Corporation	Document title WIRING DIAGRAM, 12V MACK CONVENTIONAL		Document No 23970505	Issue 02	Volume 1 (1)	Page 5 (104)
	Document type PRODUCT SCHEMATIC					

STARTING AND CHARGING

WIRING DIAGRAM: AF

A

A

B

B

C

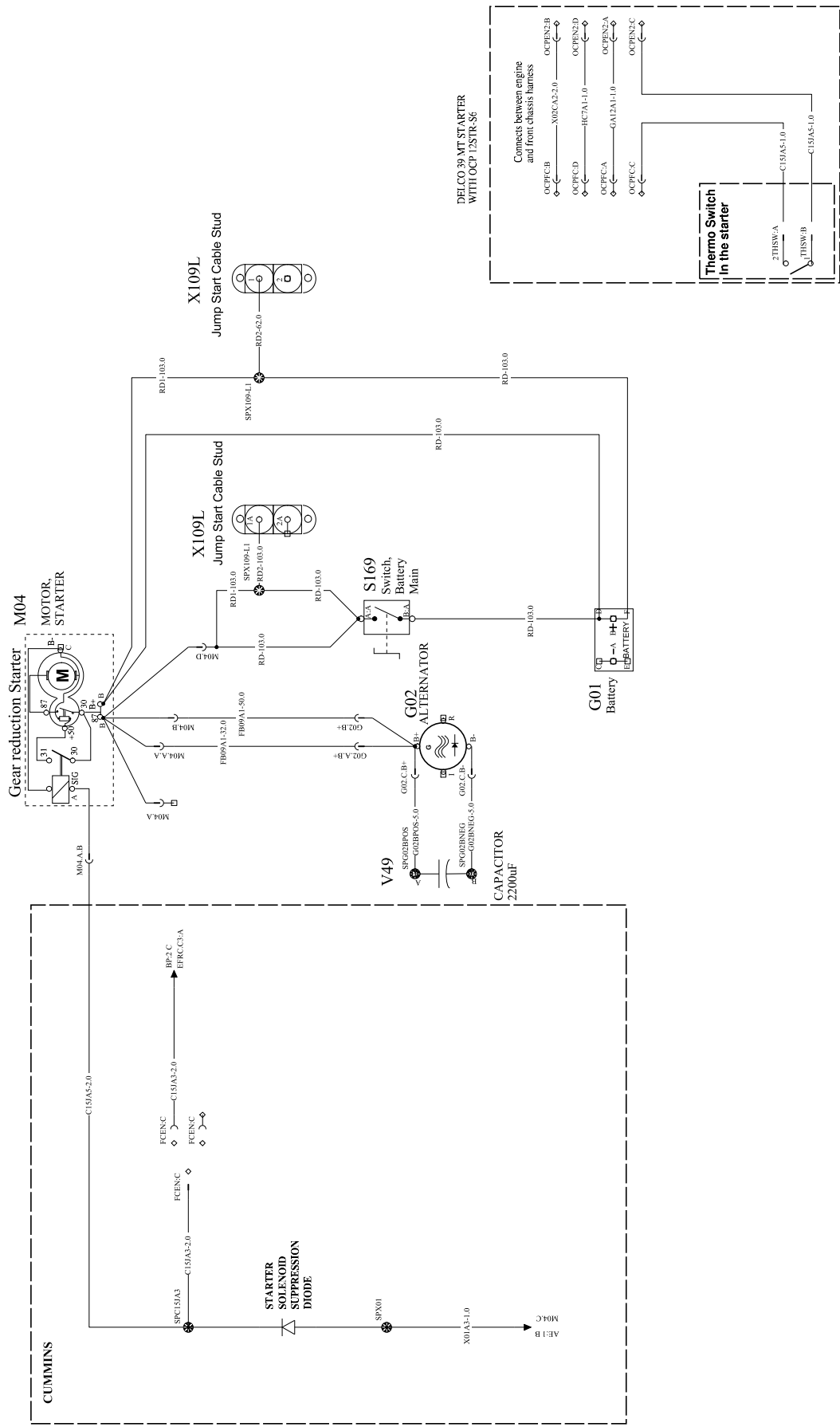
C

D

D

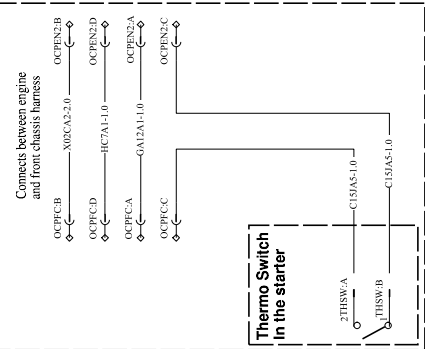
E

E



Thermo Switch in the starter

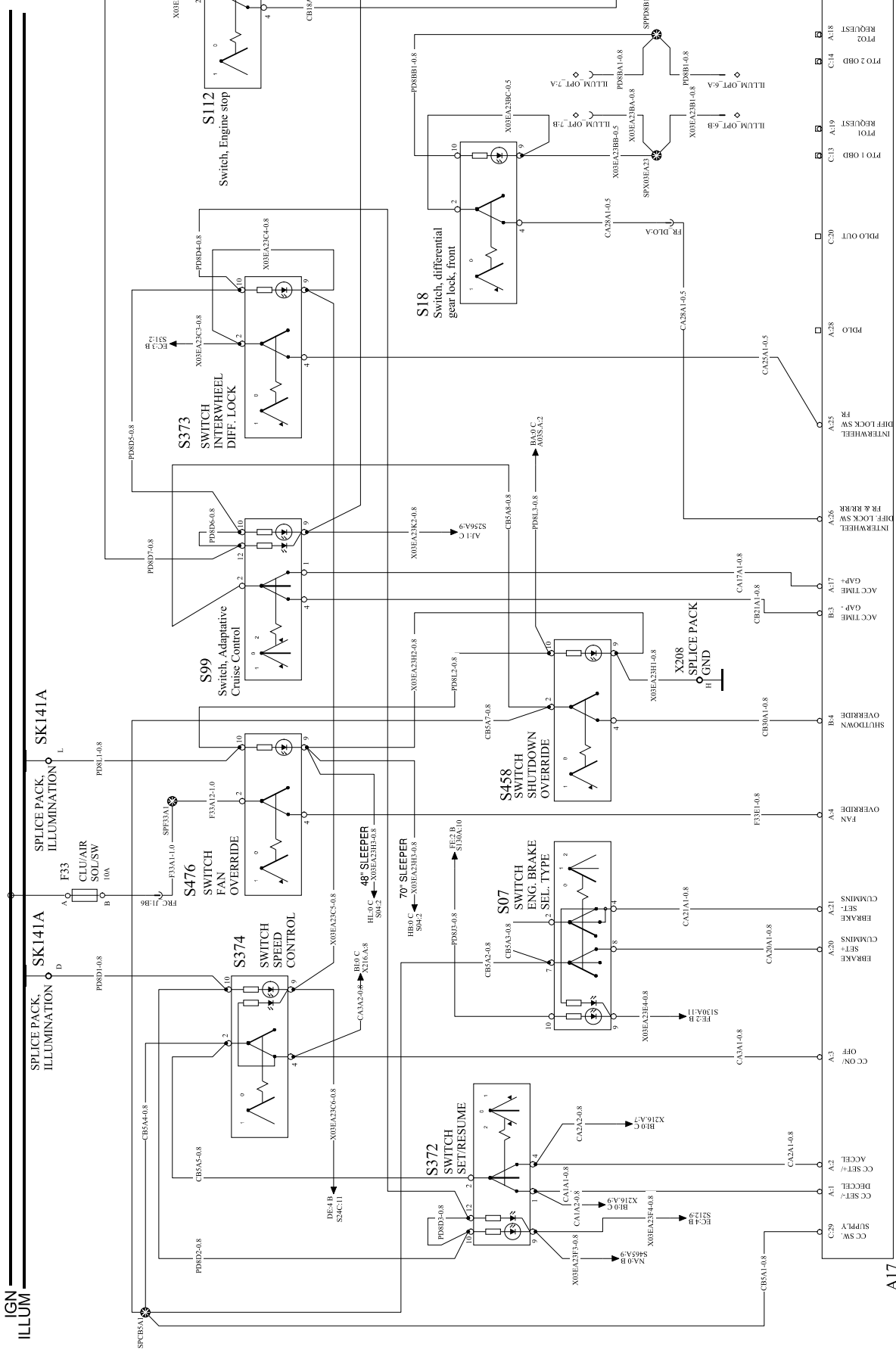
DELCO 39 MT STARTER WITH OCP 12STR-S6



Document title WIRING DIAGRAM, 12V MACK CONVENTIONAL		Document No 23970505	Issue 02	Volume 1 (1)	Page 7 (104)
Document type PRODUCT SCHEMATIC					

VEHICLE ECU 2/3

WIRING DIAGRAM: AH

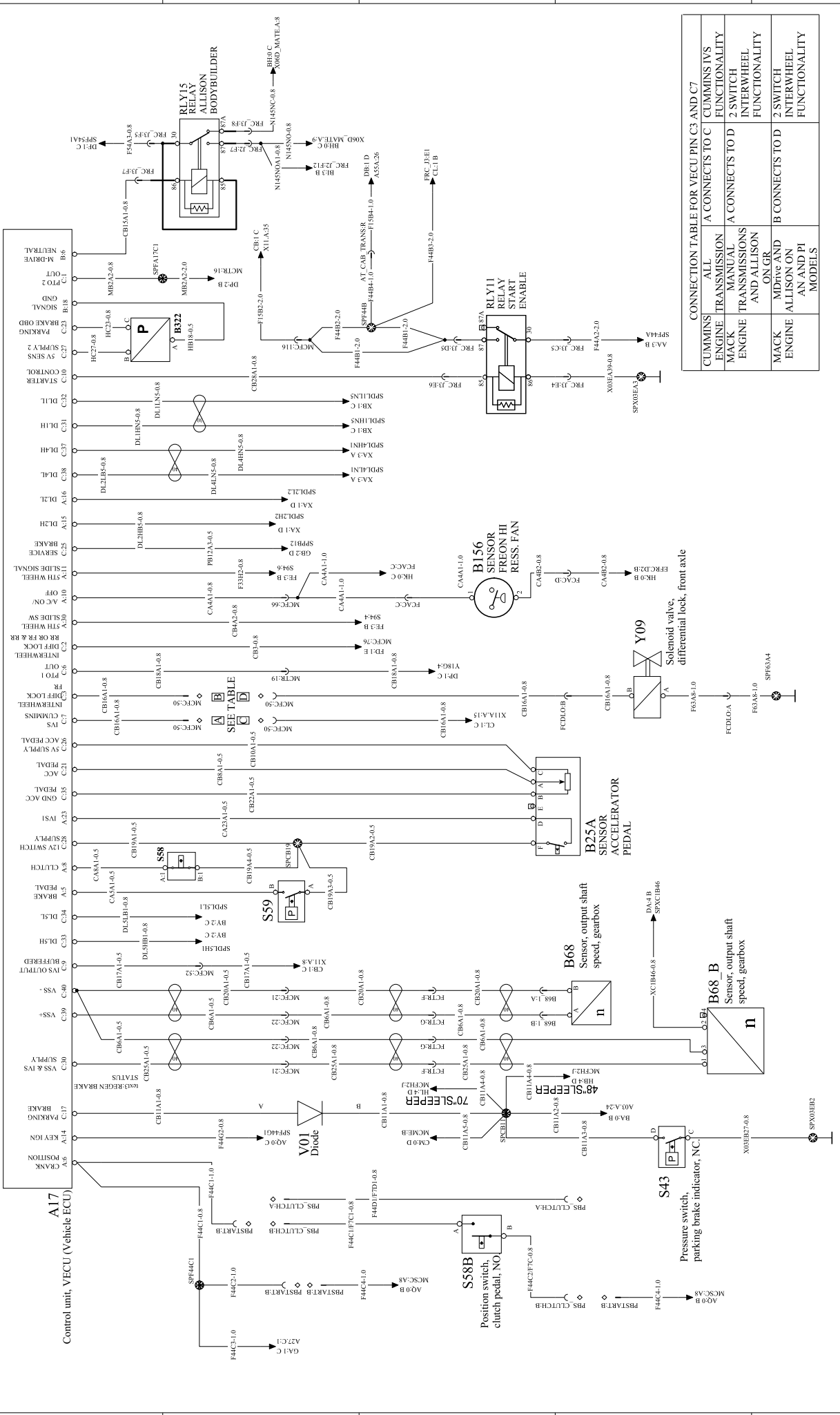


Control unit, VECU (Vehicle ECU)

Document title WIRING DIAGRAM, 12V MACK CONVENTIONAL		Document No 23970505	Issue 02	Volume 1 (1)	Page 9 (104)
Document type PRODUCT SCHEMATIC					

VEHICLE ECU 3/3

WIRING DIAGRAM: AI

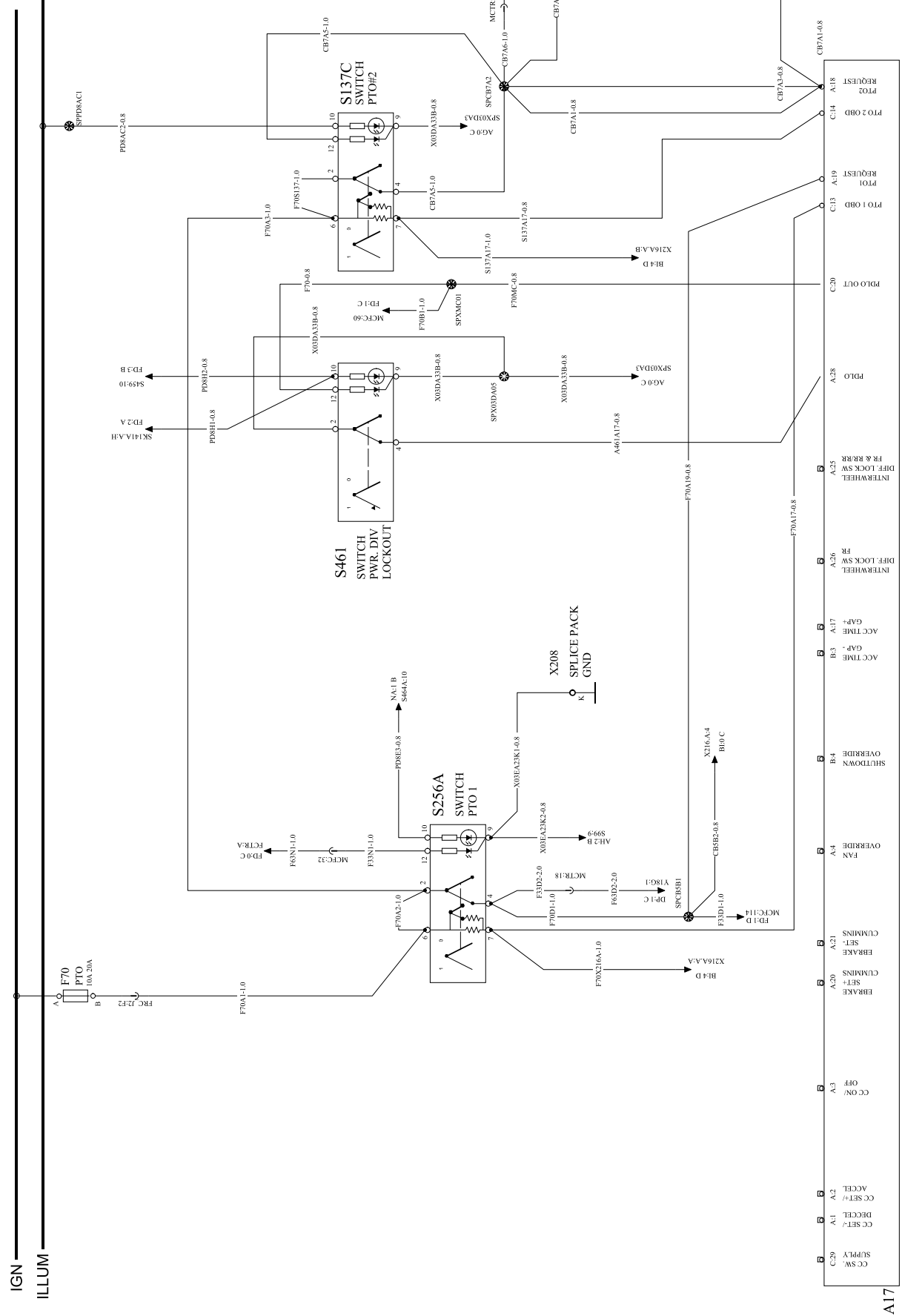


CONNECTION TABLE FOR VECU PIN C3 AND C7

CUMMINS	ALL A CONNECTS TO C	CUMMINS IVS
ENGINE TRANSMISSION	MANUAL FUNCTIONALITY	2 SWITCH FUNCTIONALITY
MACK ENGINE TRANSMISSIONS AND ALLISON ON GR	B CONNECTS TO D	2 SWITCH INTERWHEEL FUNCTIONALITY
MACK ENGINE	MIDRE AND ALLISON ON AN AND PI MODELS	2 SWITCH INTERWHEEL FUNCTIONALITY

VECU, PTO AND PDLO SWITCHES

WIRING DIAGRAM: AJ



A17

Control unit, VECU (Vehicle ECU)

Document title		Document No	Issue	Volume	Page
WIRING DIAGRAM, 12V MACK CONVENTIONAL					
Document type					
PRODUCT SCHEMATIC					

STARTING AND CHARGING, ISX-G WITH IN FRAME BATTERY BOX

WIRING DIAGRAM: AM

A

A

B

B

C

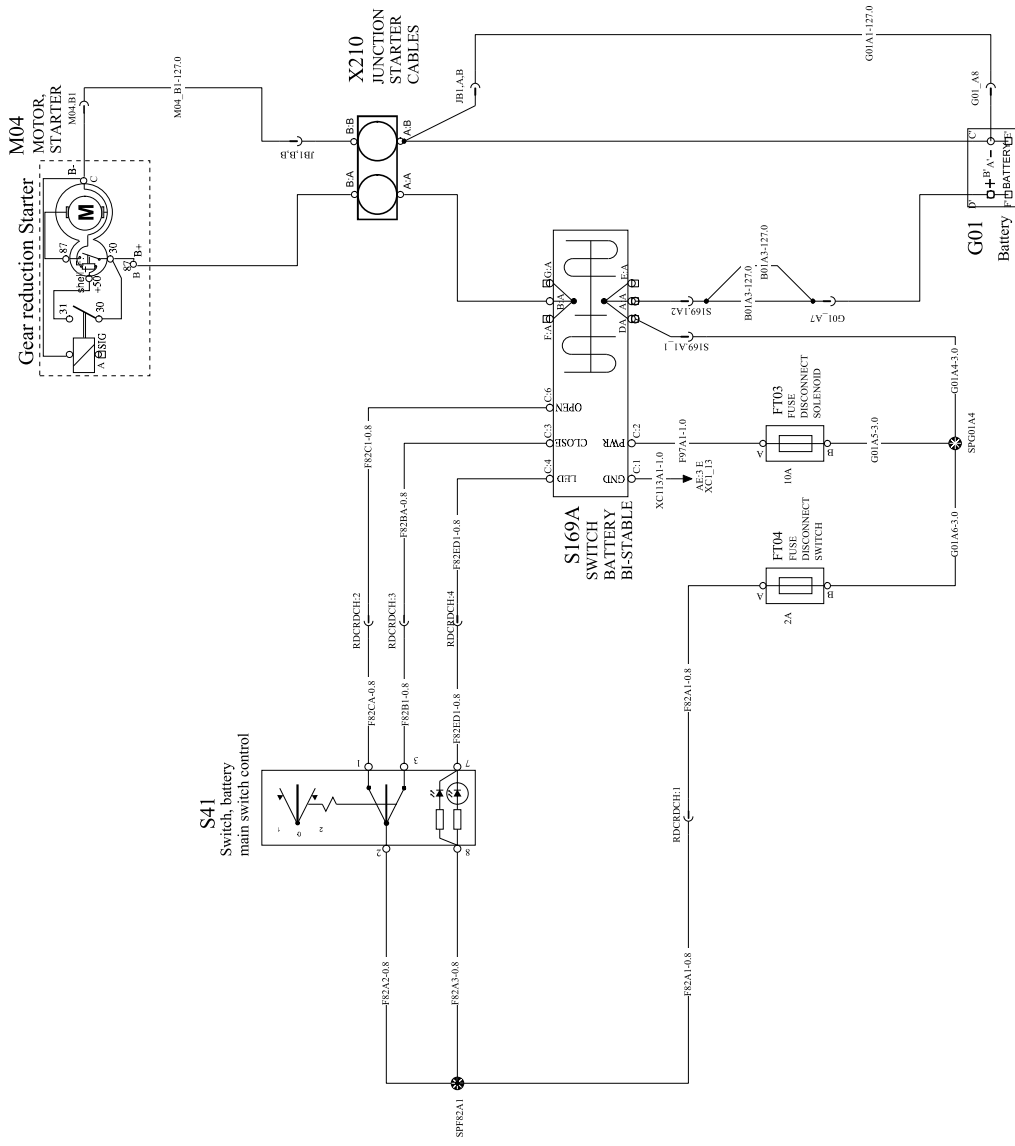
C

D

D

E

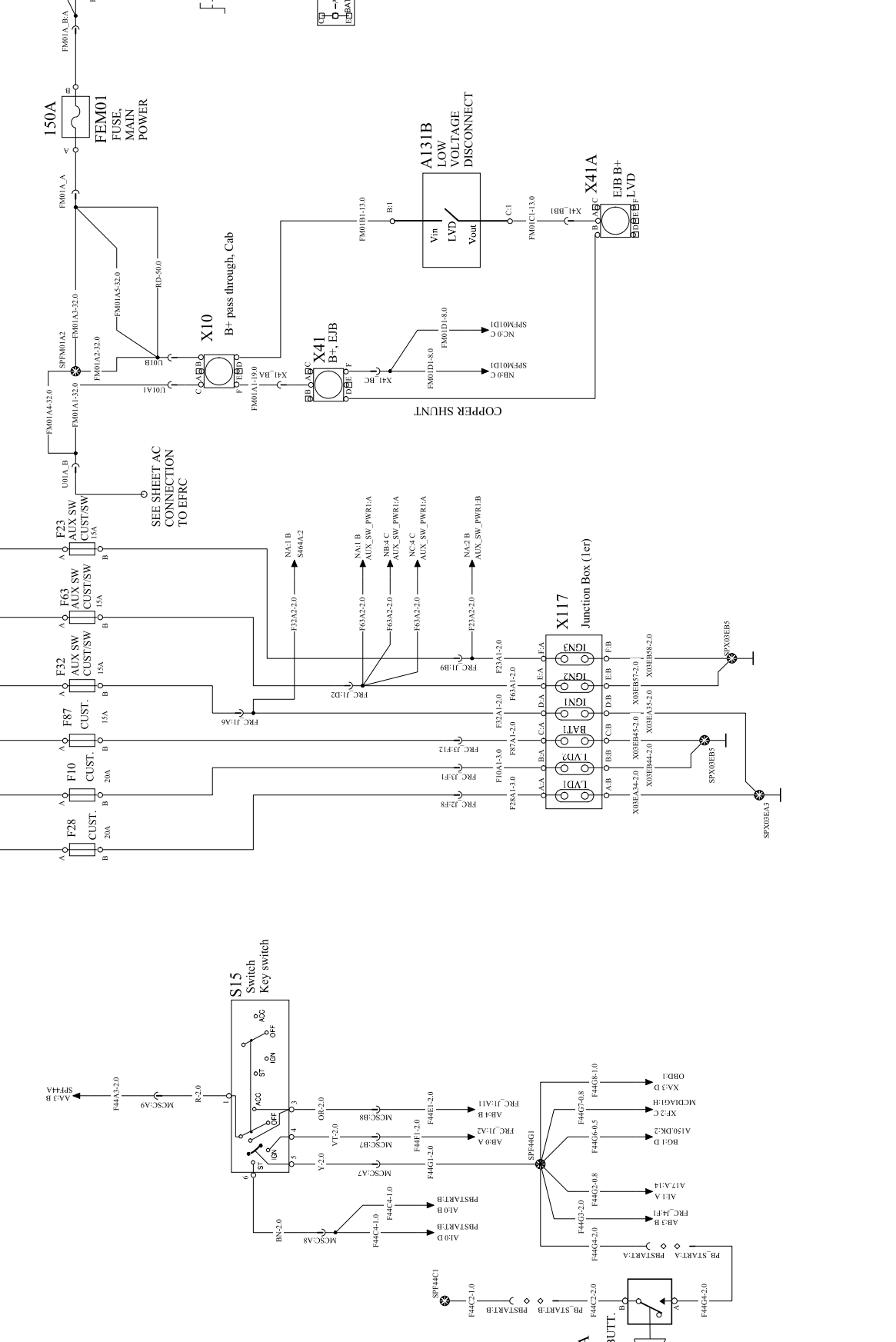
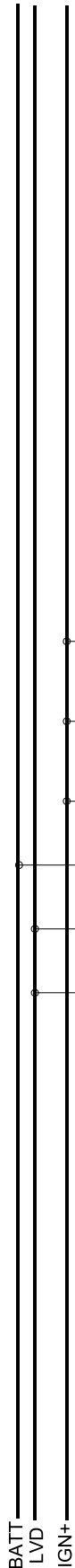
E



Document title		Document No		Page	
WIRING DIAGRAM, 12V MACK CONVENTIONAL		23970505		12 (104)	
Document type		Issue		Volume	
PRODUCT SCHEMATIC		02		1 (1)	
				4	

POWER DISTRIBUTION / KEY SWITCH

WIRING DIAGRAM: AQ



4

3

2

1

0

A

B

C

D

E

<p>Document title WIRING DIAGRAM, 12V MACK CONVENTIONAL</p>		<p>Document No 23970505</p>	<p>Issue 02</p>	<p>Volume 1 (1)</p>	<p>Page 13 (104)</p>
<p>Document type PRODUCT SCHEMATIC</p>		<p>3</p>	<p>2</p>	<p>1</p>	<p>4</p>
<p>Volvo Truck Corporation</p>					

INSTRUMENT CLUSTER 1/2

WIRING DIAGRAM: BA

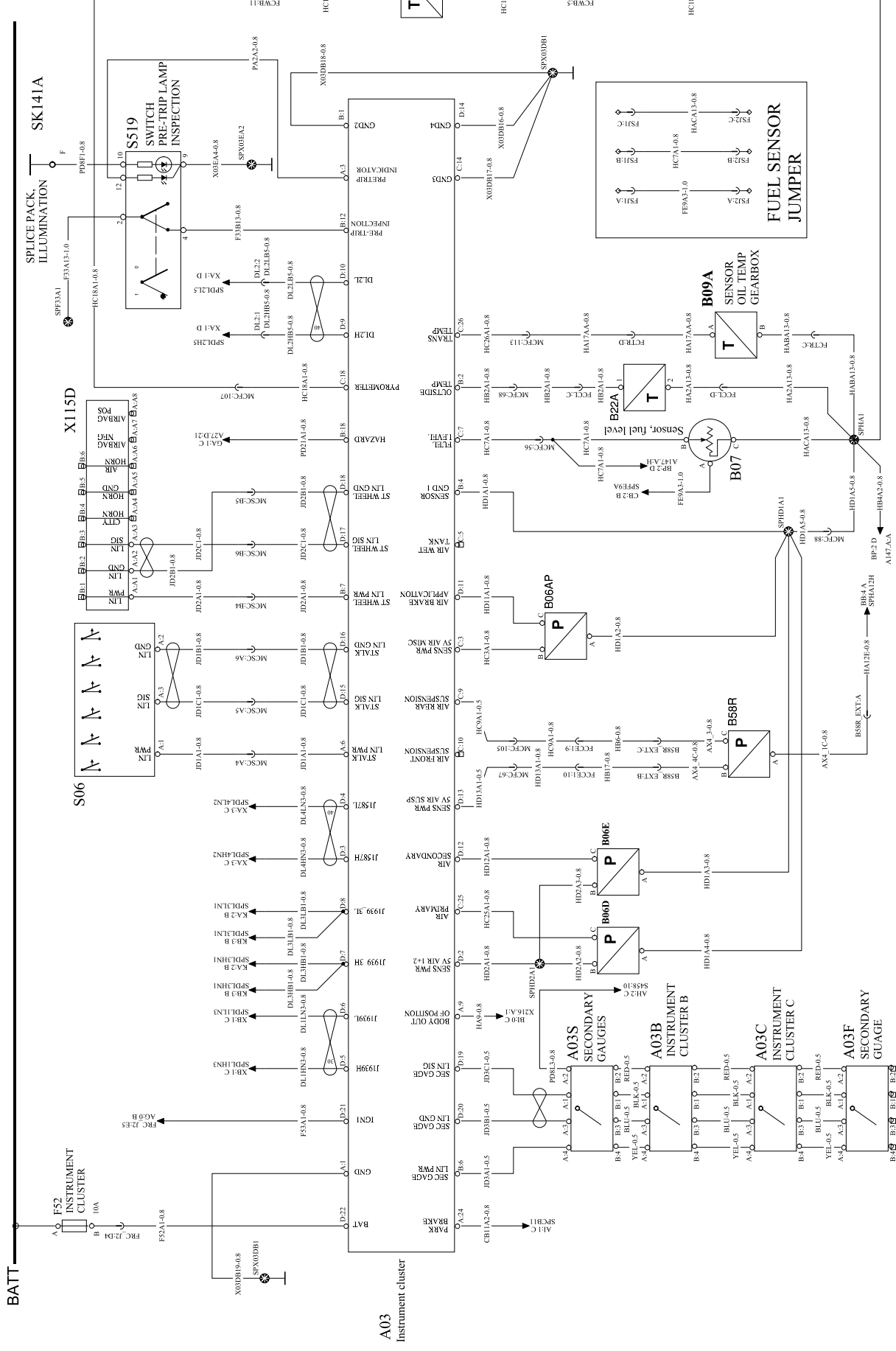
4

3

2

1

0



Document title WIRING DIAGRAM, 12V MACK CONVENTIONAL		Document No 23970505	Issue 02	Volume 1 (1)	Page 14 (104)
Document type PRODUCT SCHEMATIC					
Volvo Truck Corporation					
0	1	2	3	4	

INSTRUMENT CLUSTER 2/2

WIRING DIAGRAM: BB

A

A

B

B

C

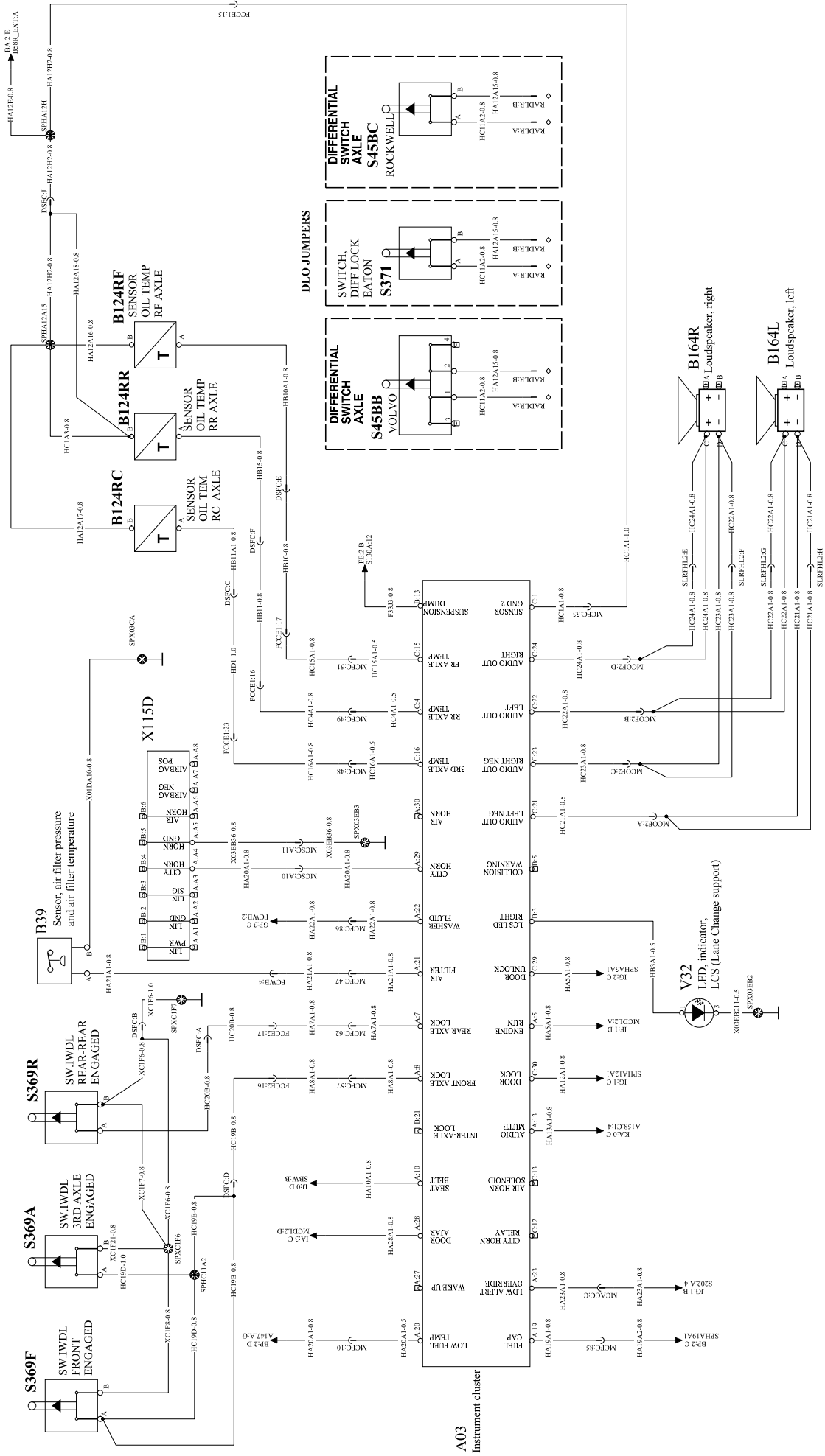
C

D

D

E

E



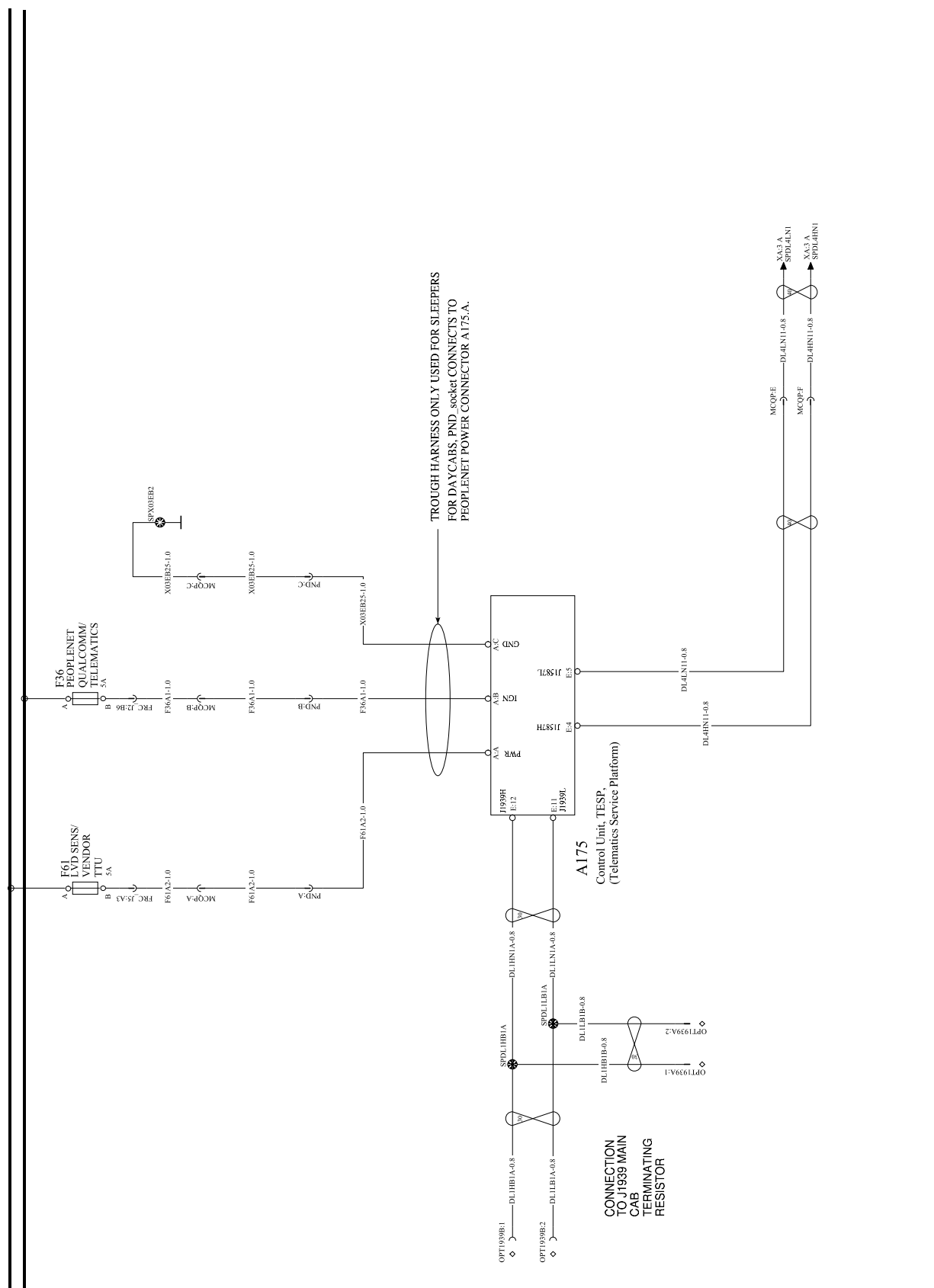
Document No	23970505	Issue	02	Volume	1 (1) 15 (104)	Page	
-------------	----------	-------	----	--------	----------------	------	--

Document title	WIRING DIAGRAM, 12V MACK CONVENTIONAL
Document type	PRODUCT SCHEMATIC

Document No	23970505	Issue	02	Volume	1 (1) 15 (104)	Page	
-------------	----------	-------	----	--------	----------------	------	--

WIRING DIAGRAM: BE

PEOPLENET
BATT
IGN

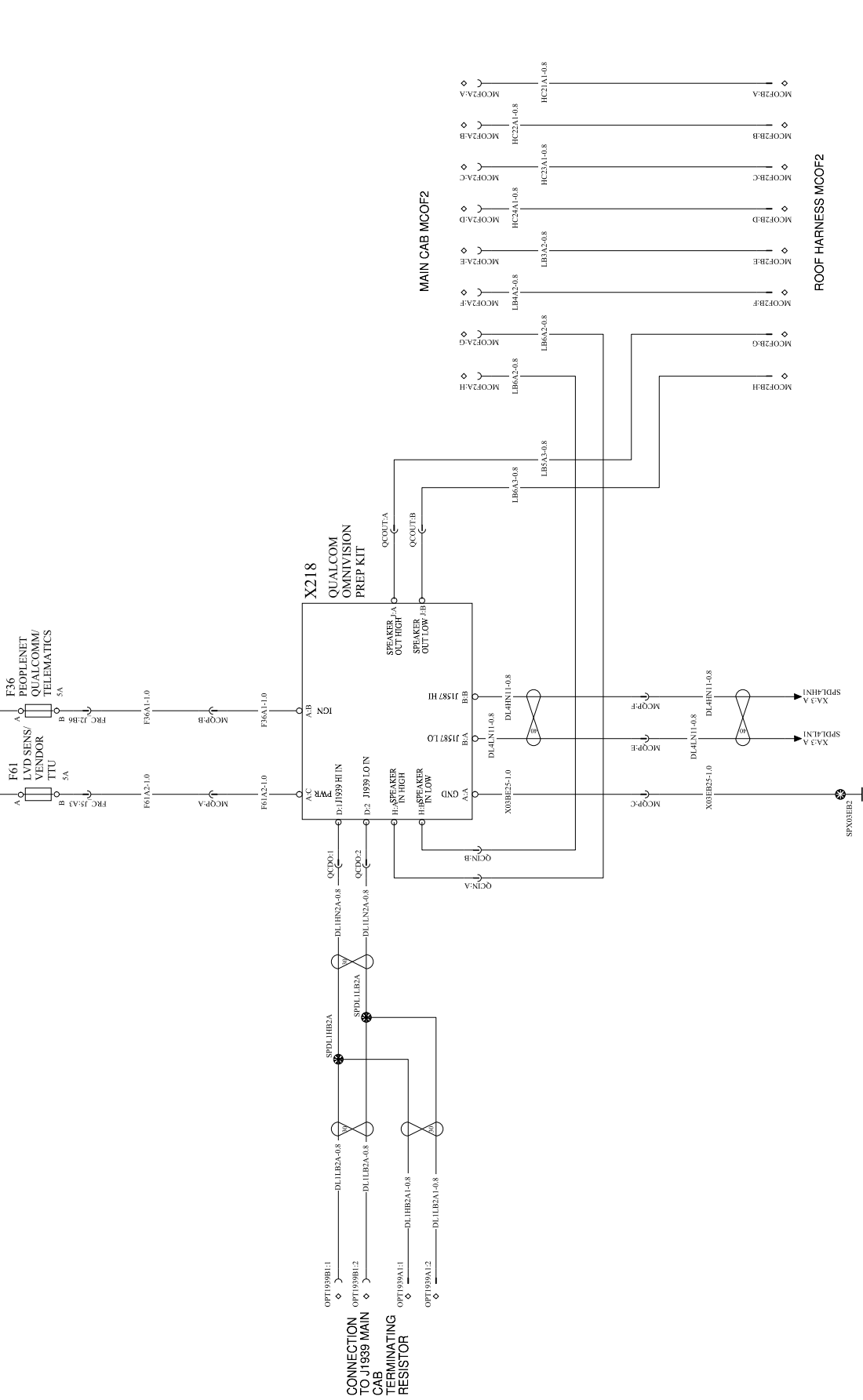


Volvo Truck Corporation		Document No 23970505		Issue 02	Volume 1 (1)	Page 16 (104)
WIRING DIAGRAM, 12V MACK CONVENTIONAL		Document type PRODUCT SCHEMATIC				

QUALCOMM

WIRING DIAGRAM: BF

BATT
IGN+

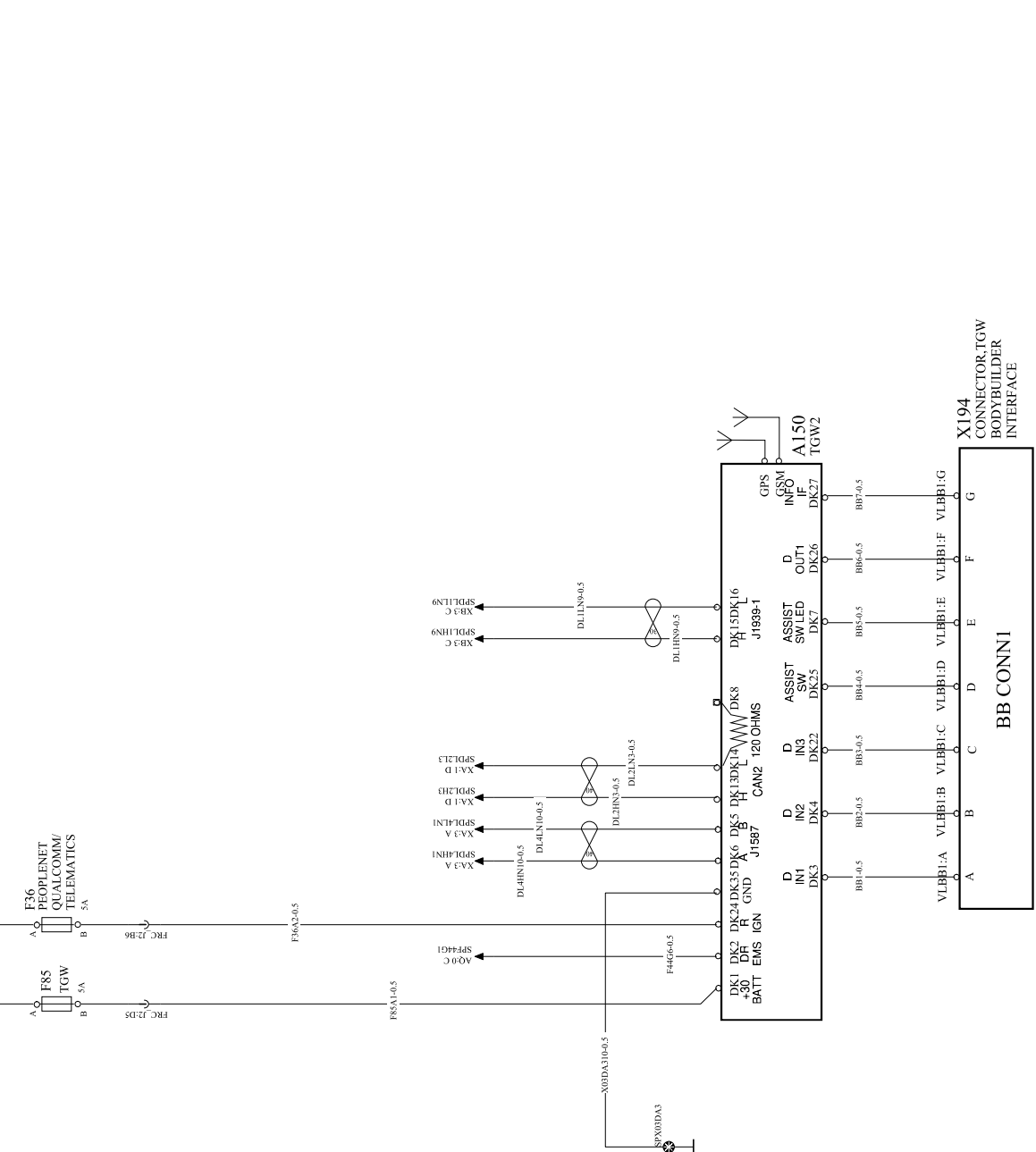


Document title WIRING DIAGRAM, 12V MACK CONVENTIONAL		Document No 23970505	Issue 02	Volume 1 (1)	Page 17 (104)
Document type PRODUCT SCHEMATIC					

TELEMATICS GATEWAY (TGW)

WIRING DIAGRAM: BG

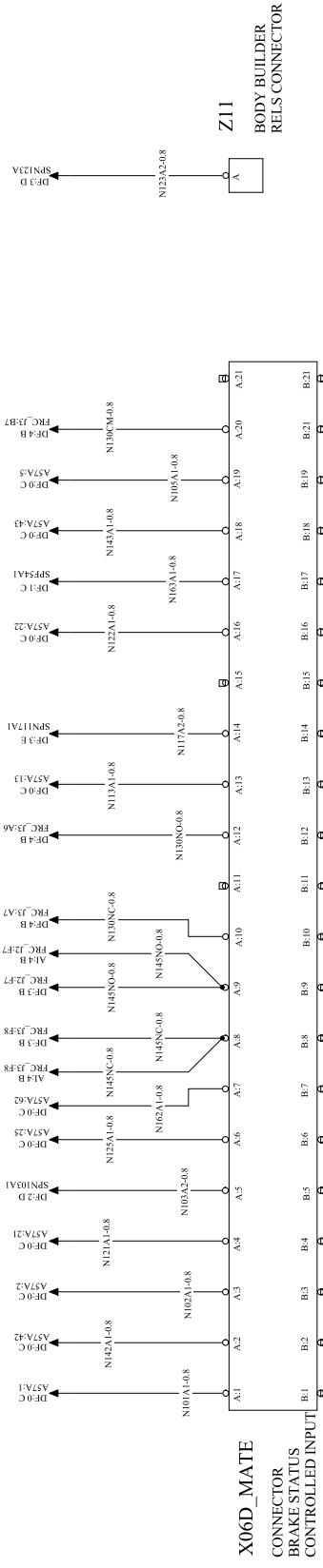
BATT
IGN



Volvo Truck Corporation	Document title	WIRING DIAGRAM, 12V MACK CONVENTIONAL		Document No	23970505	Issue	02	Volume	1 (1)	Page	18 (104)
	Document type	PRODUCT SCHEMATIC									

ALLISON BODY BUILDER INTERFACE

WIRING DIAGRAM: BH

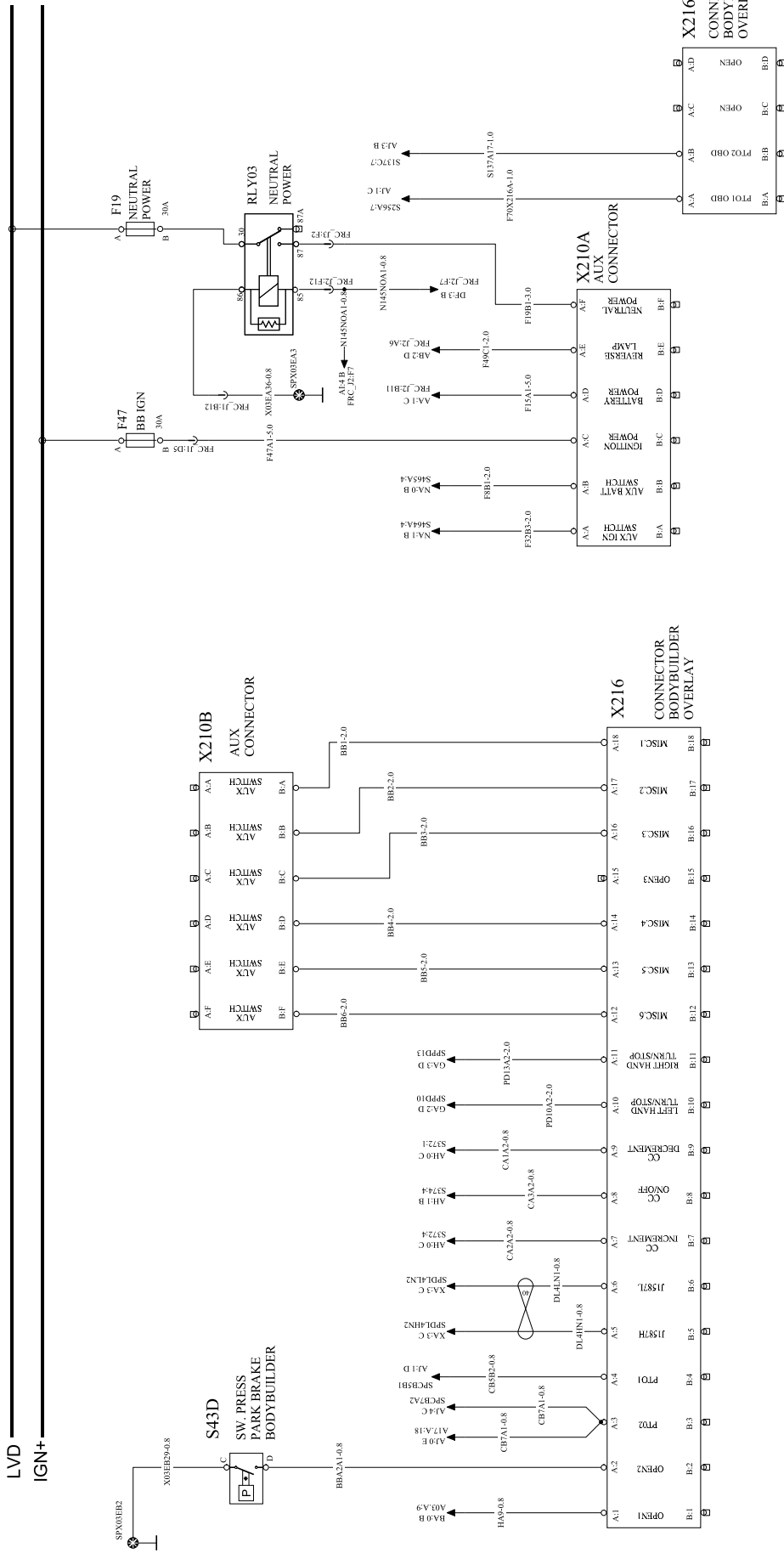


Volvo Truck Corporation

Document No	23970505
Issue	02
Volume	1 (1)
Page	19 (104)

BODY BUILDER CAB INTERFACE

WIRING DIAGRAM: BI

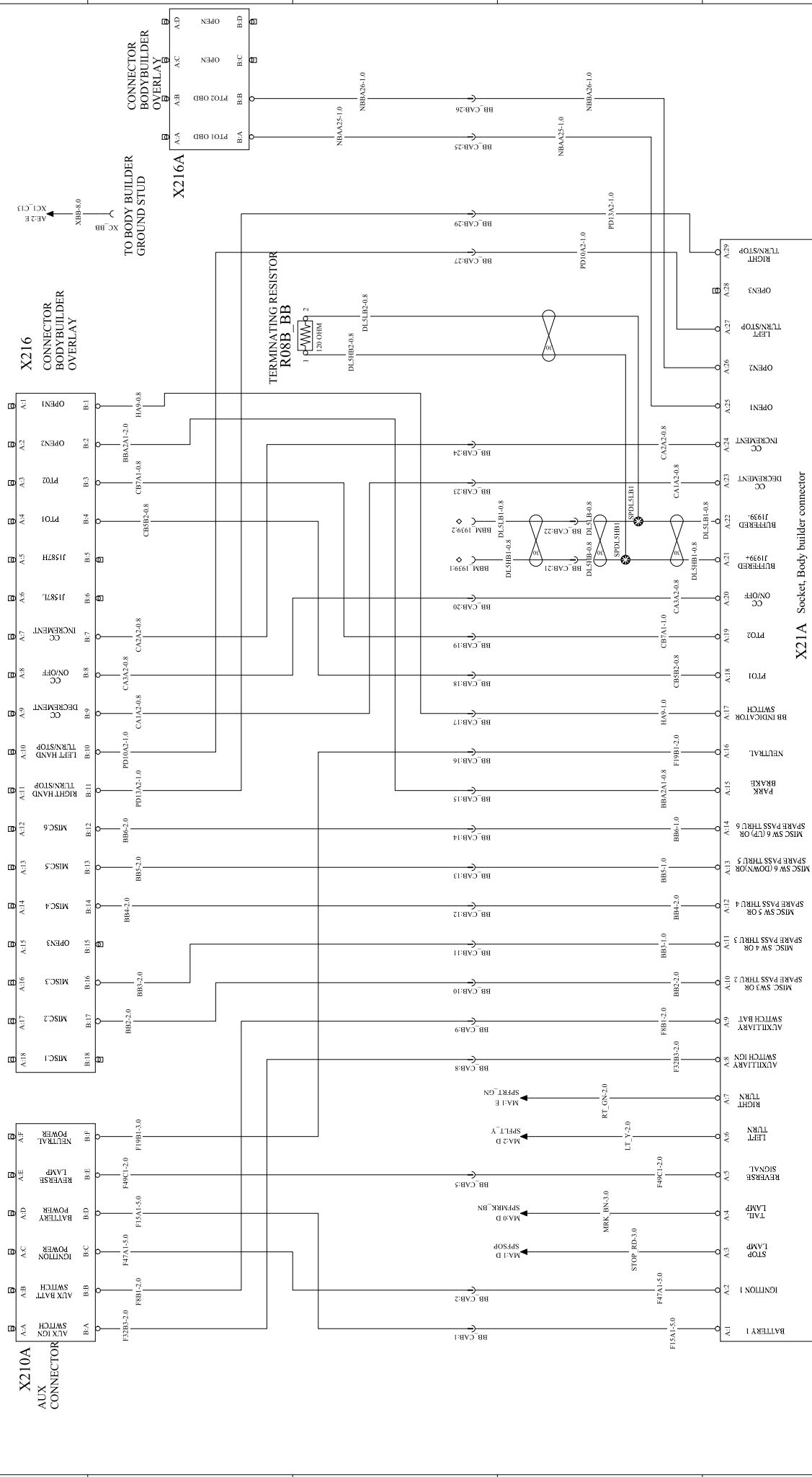


Document title		Document No		Issue		Volume		Page	
WIRING DIAGRAM, 12V MACK CONVENTIONAL		23970505		02		1 (1) 20 (104)			
Document type									
PRODUCT SCHEMATIC									
0	1	2	3	4					

BODYBUILDER BODYLINK

WIRING DIAGRAM: BK

A B C D E



Document title WIRING DIAGRAM, 12V MACK CONVENTIONAL		Document No 23970505	Issue 02	Volume 1 (1)	Page 21 (104)
Document type PRODUCT SCHEMATIC					
0		1		2	
1		3		4	

0

1

2

3

4

BATTERY BUSSING

WIRING DIAGRAM: BL

A

2 Battery Box

B

3 Battery Box

C

4 Battery Box

D

Left Side

Right Side

Battery Box Both Sides

E

BBOX_IF CABLES FOR JUMPERS

Volvo Truck Corporation

Document title
WIRING DIAGRAM, 12V MACK CONVENTIONALDocument type
PRODUCT SCHEMATIC

Document No

23970505

Page

Volume
1 (1) 22 (104)

0

1

2

3

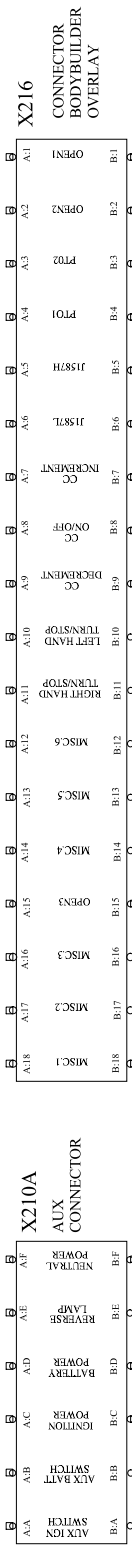
4

BODYBUILDER TURNPIKE

WIRING DIAGRAM: BN

A

A



B

B

C

C

D

D

E

E

Document title WIRING DIAGRAM, 12V MACK CONVENTIONAL		Document No 23970505	Issue 02	Volume 1 (1)	Page 23 (104)
Document type PRODUCT SCHEMATIC					

0

1

2

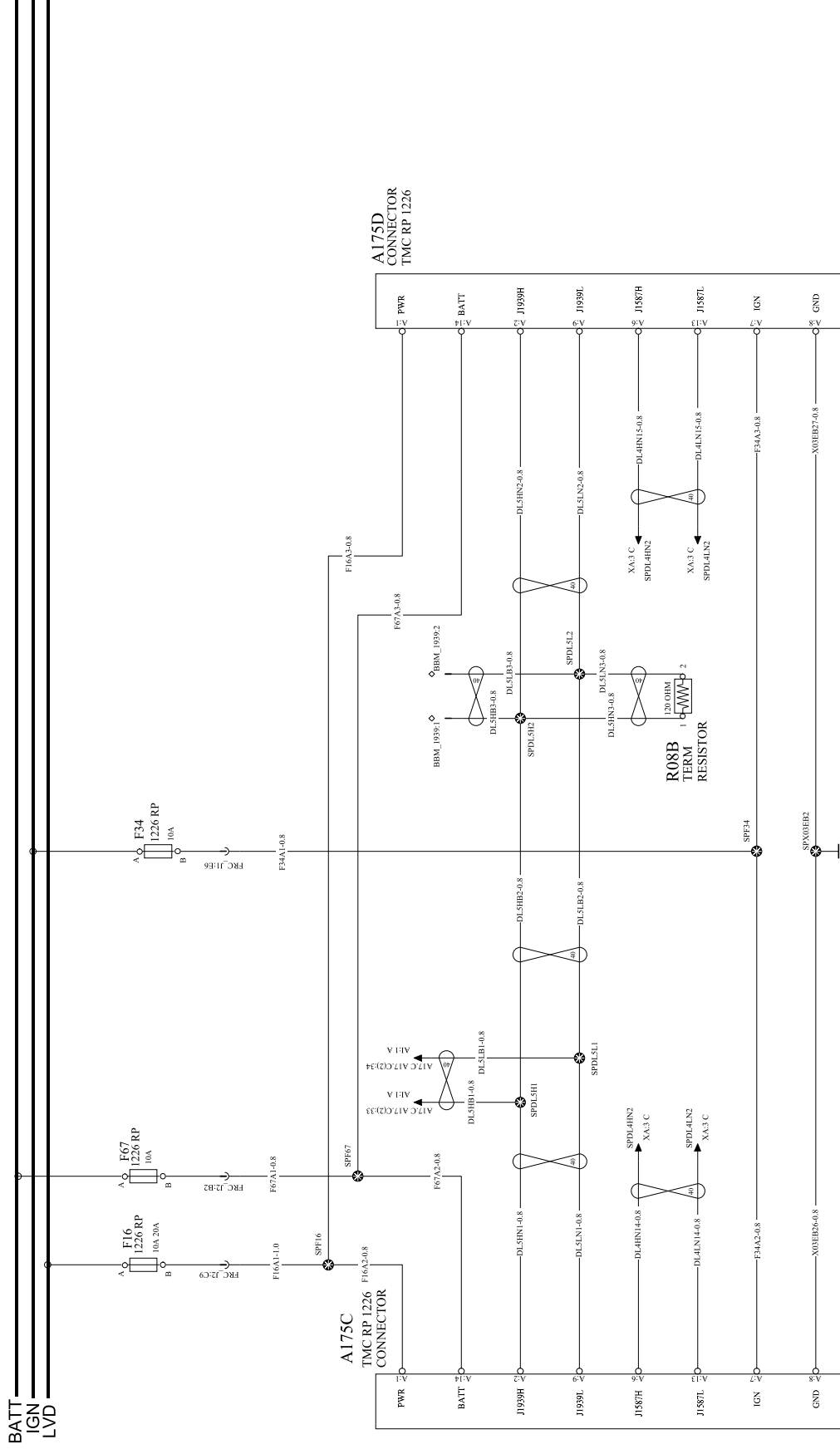
3

4

Volvo Truck Corporation

TMC RP 1226 CONNECTORS

WIRING DIAGRAM : BY



Document title		Document No		Page
WIRING DIAGRAM, 12V MACK CONVENTIONAL		23970505		25 (104)
Document type		Issue	Volume	
PRODUCT SCHEMATIC		02	1 (1)	
Volvo Truck Corporation		4		5

0

1

2

3

4

ENGINE HEATER

WIRING DIAGRAM: CA

A

A

B

B

C

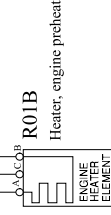
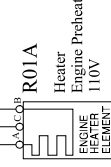
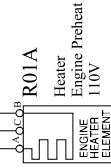
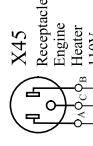
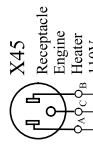
C

D

D

E

E



Volvo Truck Corporation

Document title
WIRING DIAGRAM, 12V MACK CONVENTIONAL

Document type
PRODUCT SCHEMATIC

Document No

23970505

Issue

02

Volume

1 (1)

Page

26 (104)

0

1

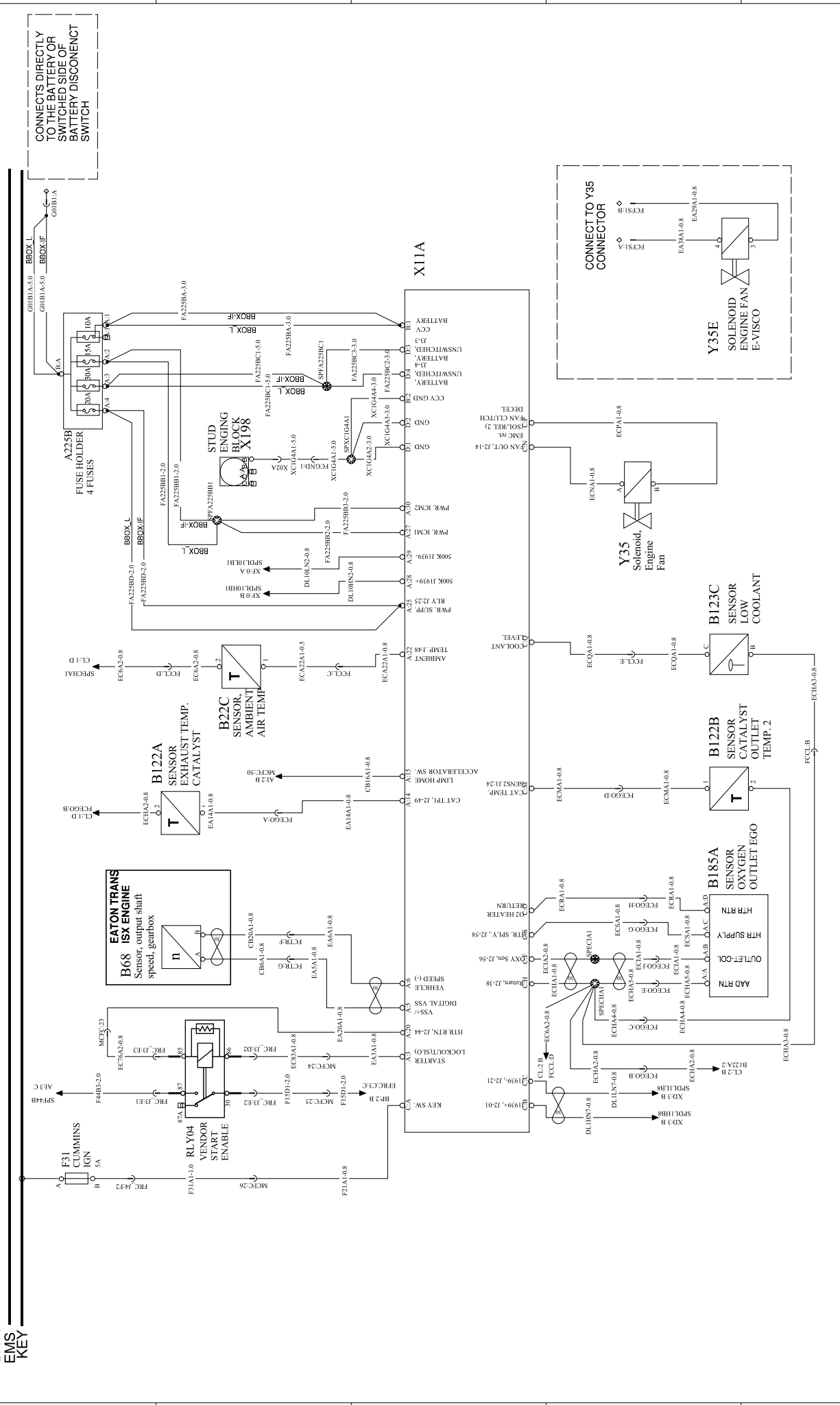
2

3

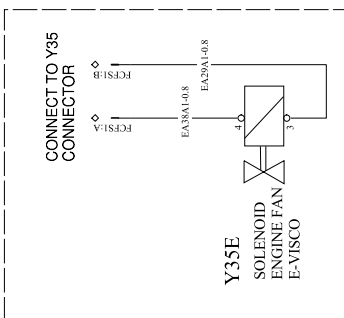
4

ENGINE CONTROL ISX-G

WIRING DIAGRAM: CL

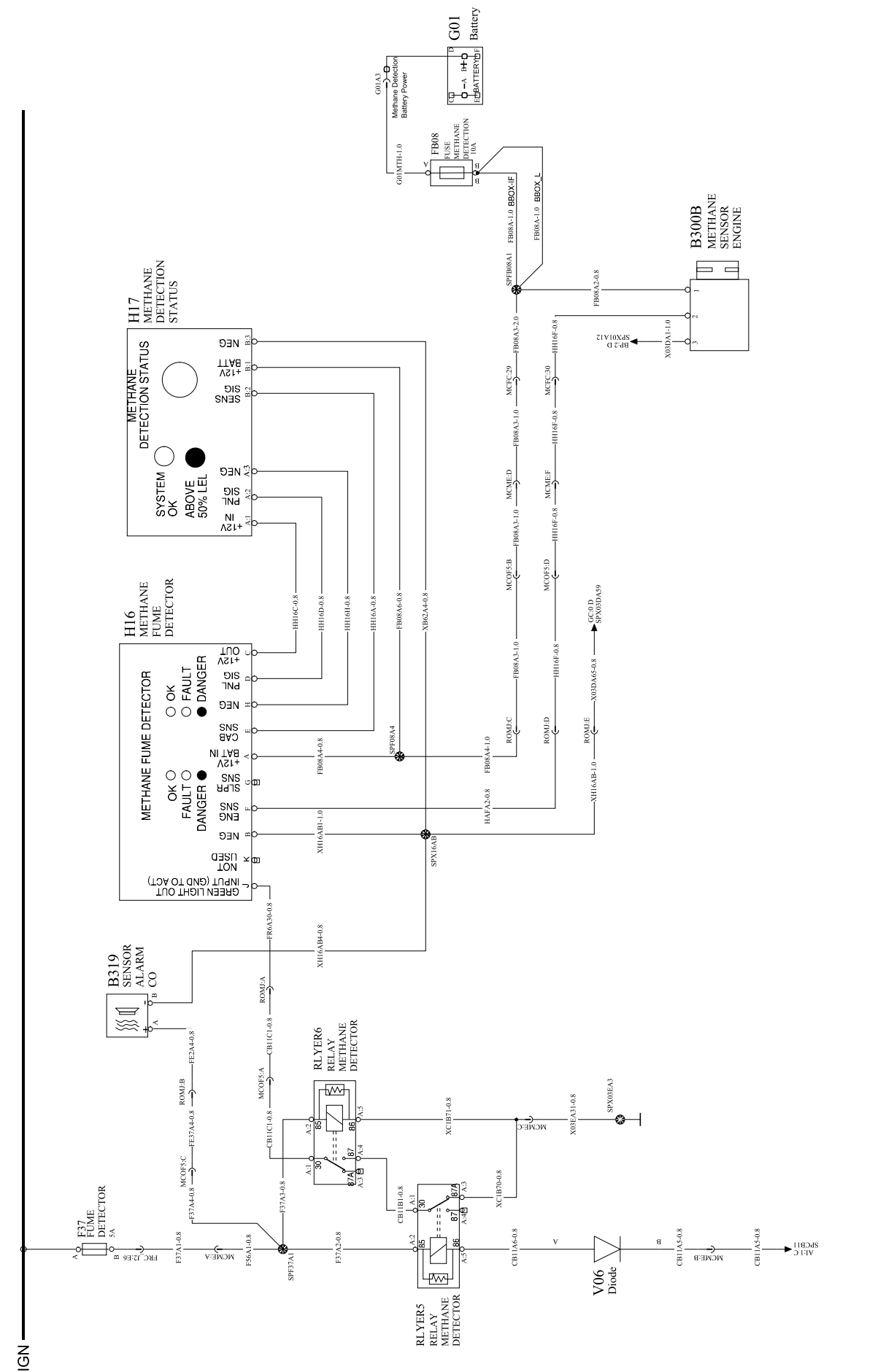


CONNECTS DIRECTLY TO THE BATTERY OR SWITCHED SIDE OF BATTERY DISCONNECT SWITCH



Document title WIRING DIAGRAM, 12V MACK CONVENTIONAL		Document No 23970505	Issue 02	Volume 1 (1) 28 (104)	Page 4
Document type PRODUCT SCHEMATIC					
Volvo Truck Corporation					

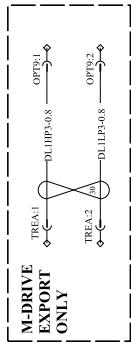
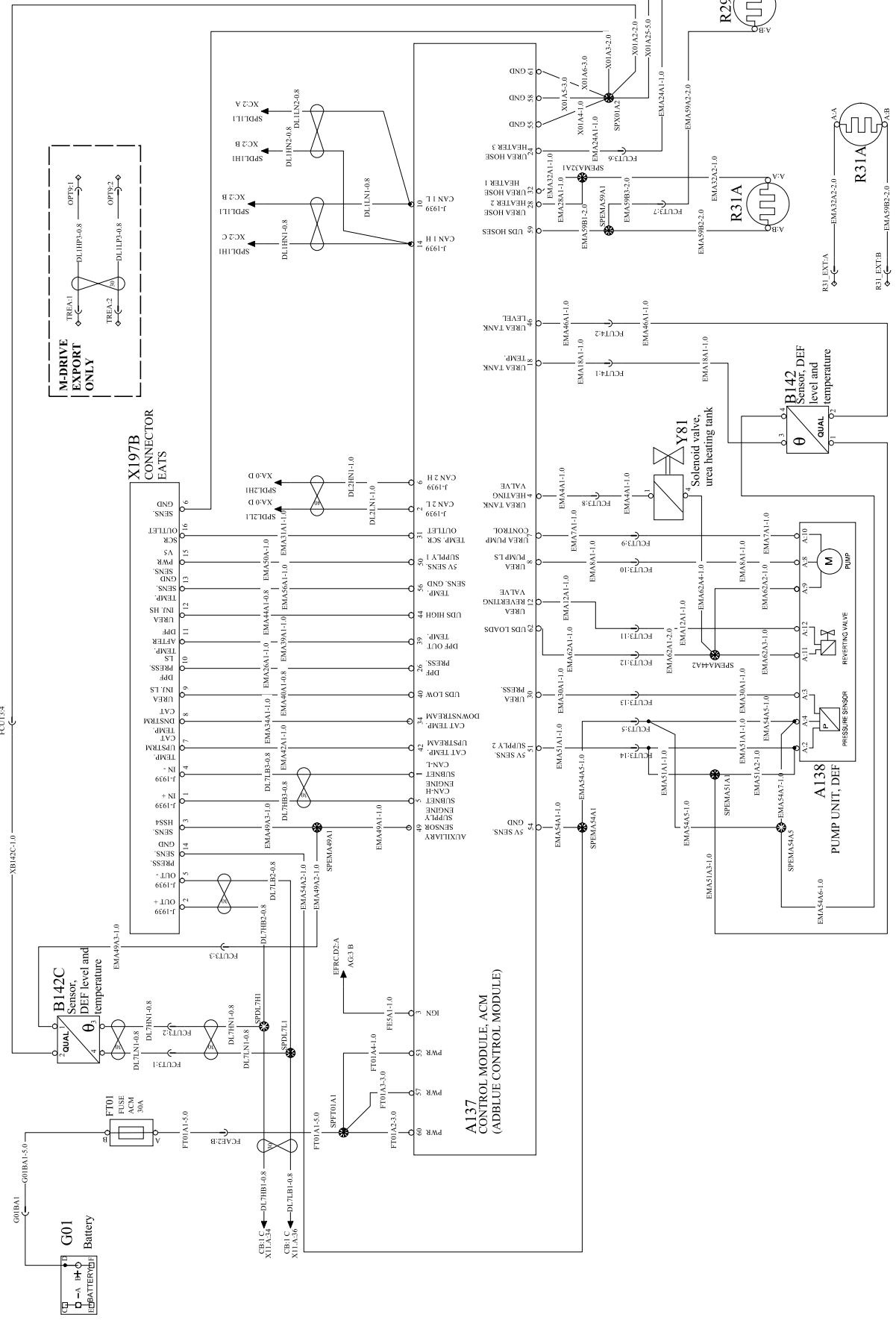
METHANE DETECTION WIRING DIAGRAM: CM



Document title WIRING DIAGRAM, 12V MACK CONVENTIONAL		Document No 23970505	Issue 02	Volume 1 (1)	Page 29 (104)
Document type PRODUCT SCHEMATIC					
Volvo Truck Corporation					

UREA DOSING SYSTEM - MACK ENGINE OBD 2018

WIRING DIAGRAM: CN



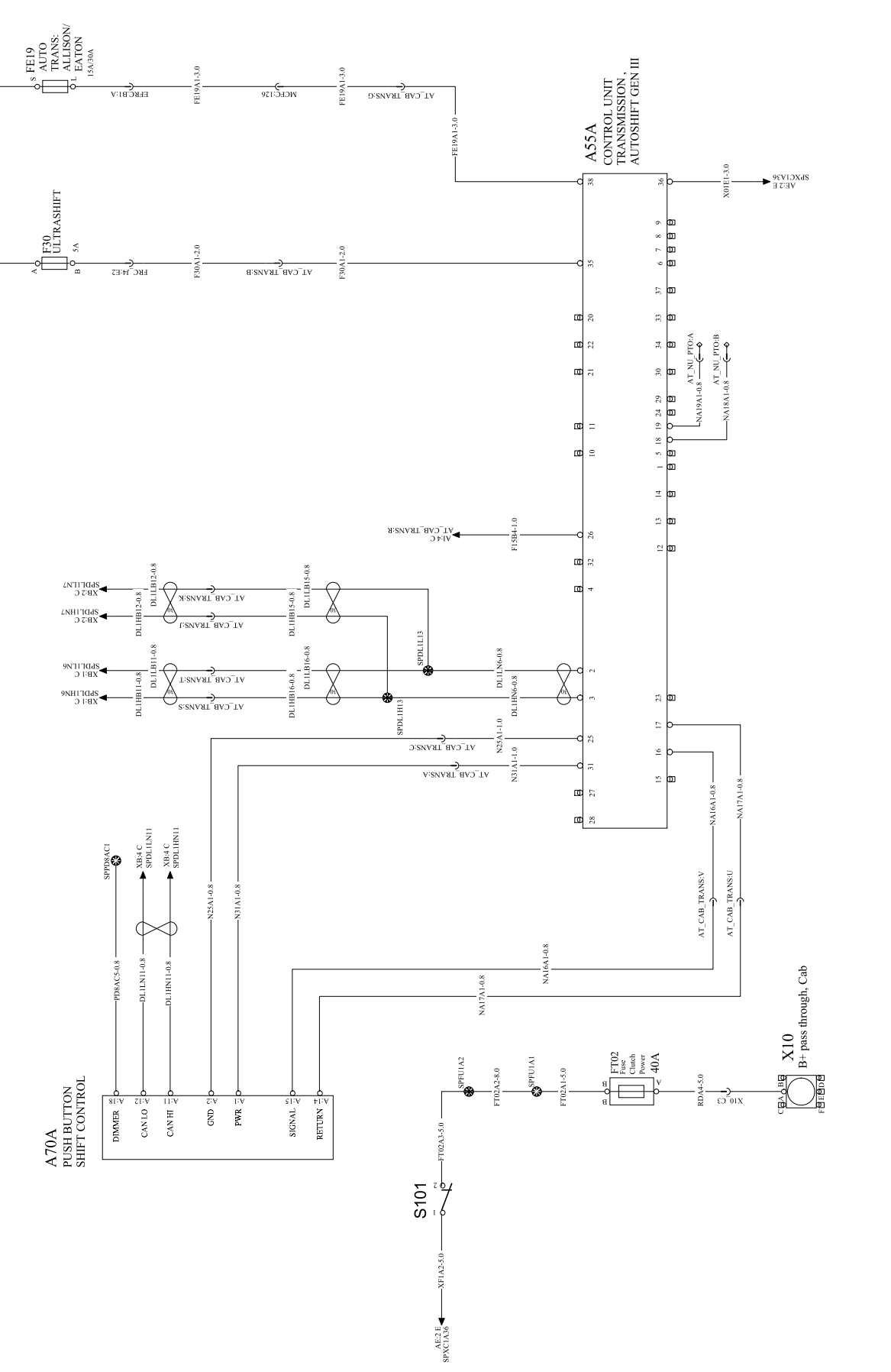
M-DRIVE EXPORT ONLY

X197B CONNECTOR

Document title WIRING DIAGRAM, 12V MACK CONVENTIONAL		Document No 23970505	Issue 02	Volume 1 (1)	Page 30 (104)
Document type PRODUCT SCHEMATIC					
Volvo Truck Corporation					
0	1	2	3	4	

TRANSMISSION CONTROL - ULTRASHIFT
BATT KEY

WIRING DIAGRAM: DB



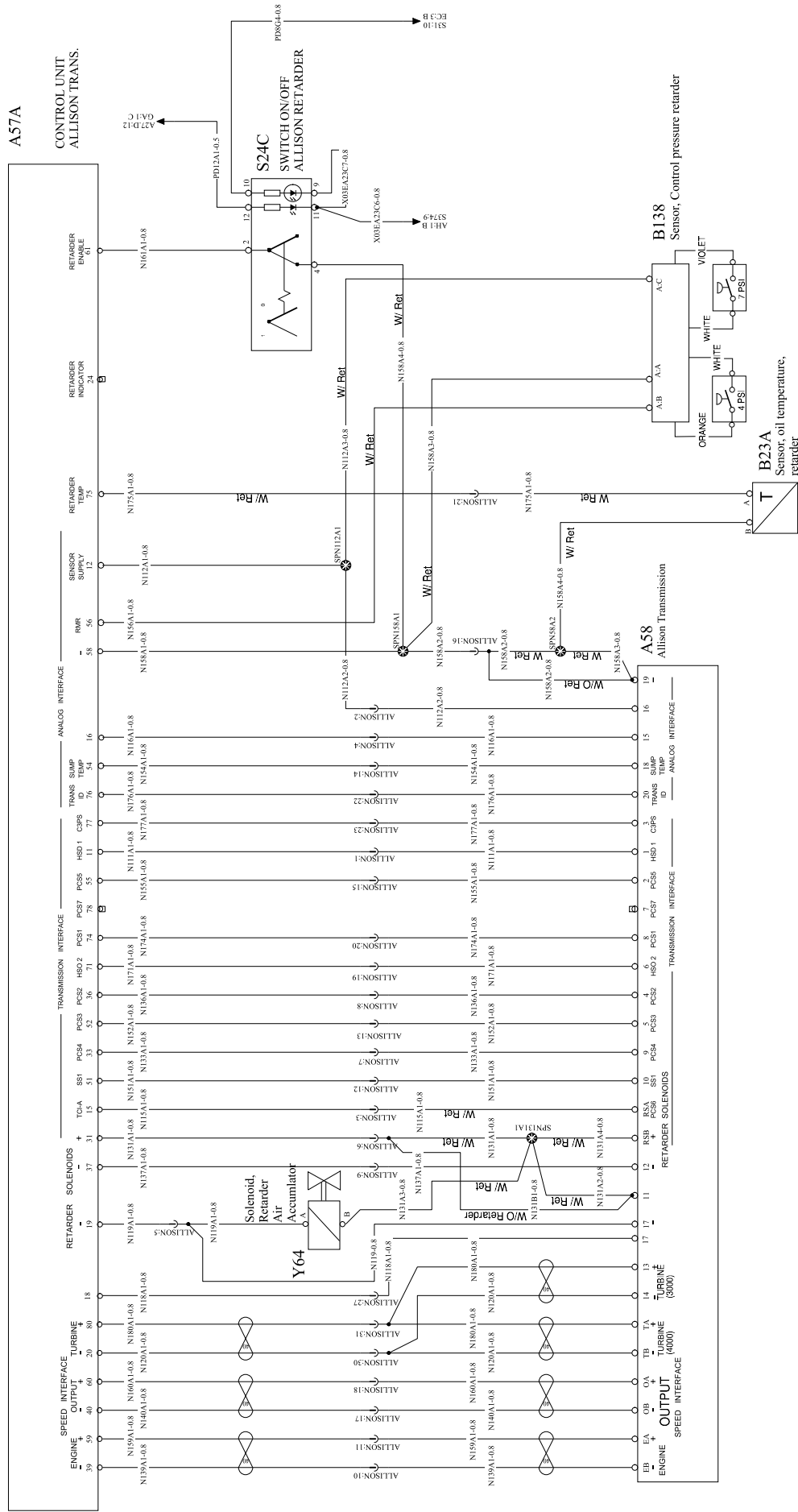
Document No	Issue	Volume	Page
23970505	02	1 (1)	32 (104)

Document title	Document type
WIRING DIAGRAM, 12V MACK CONVENTIONAL	PRODUCT SCHEMATIC

Page
4

Volvo Truck Corporation

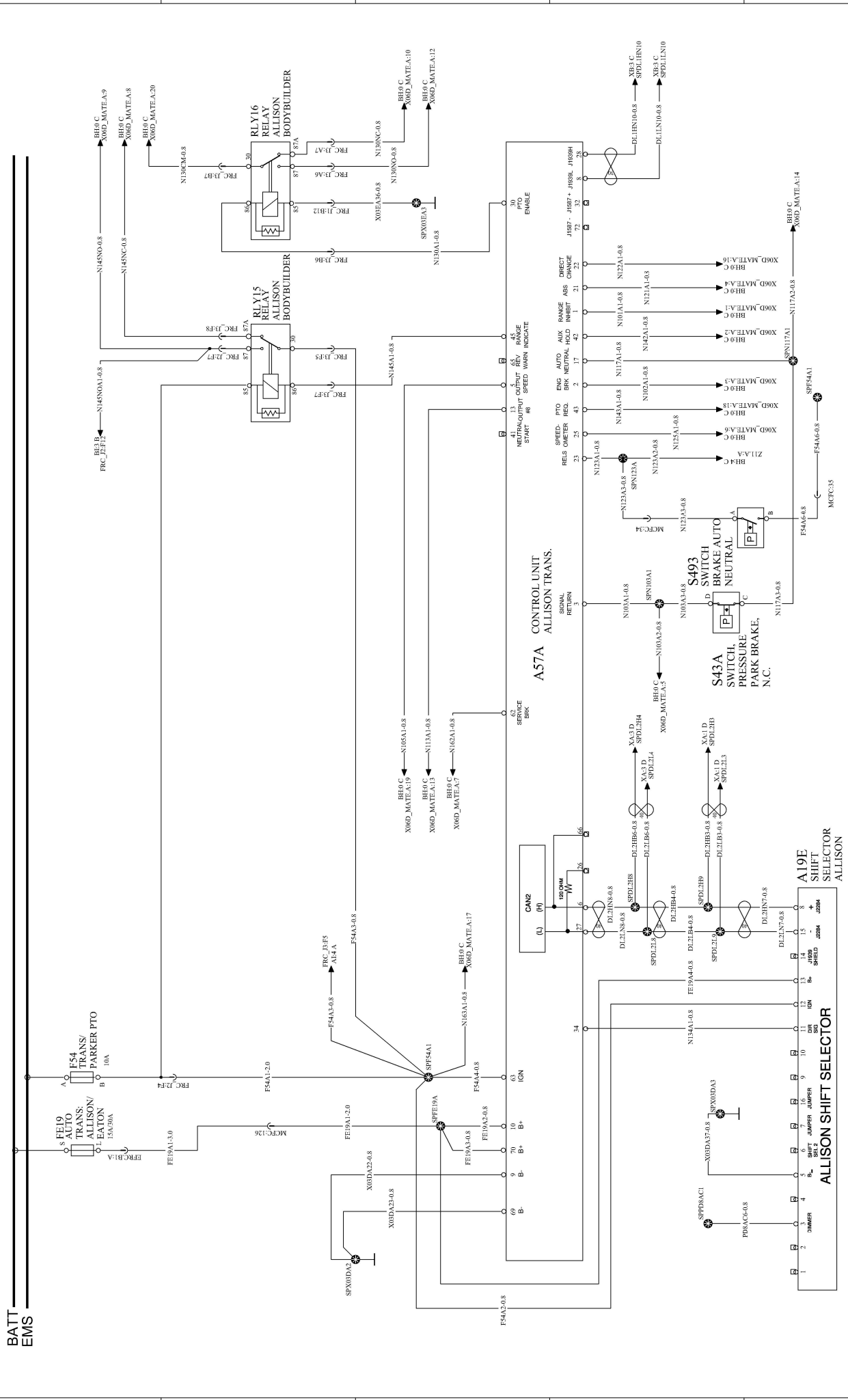
TRANSMISSION CONTROL ALLISON 1/2 WIRING DIAGRAM: DE



Document title WIRING DIAGRAM, 12V MACK CONVENTIONAL		Document No 23970505	Issue 02	Volume 1 (1) 33 (104)	Page
Document type PRODUCT SCHEMATIC					4
Volvo Truck Corporation					0

ALLISON TRANSMISSION CONTROLS 2/2

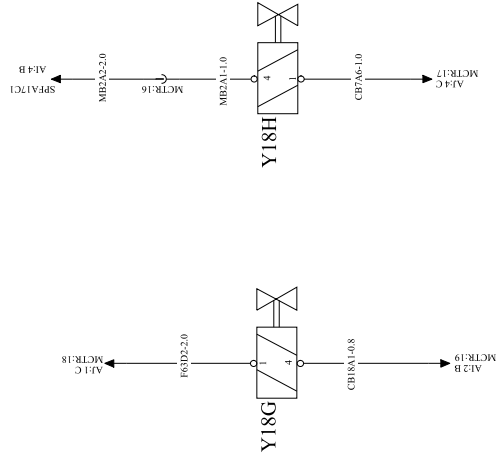
WIRING DIAGRAM: DF



Document title	Document No	Issue	Volume	Page
WIRING DIAGRAM, 12V MACK CONVENTIONAL	23970505	02	1 (1)	34 (104)
PRODUCT SCHEMATIC				

WIRING DIAGRAM: DP

EMS



A

B

C

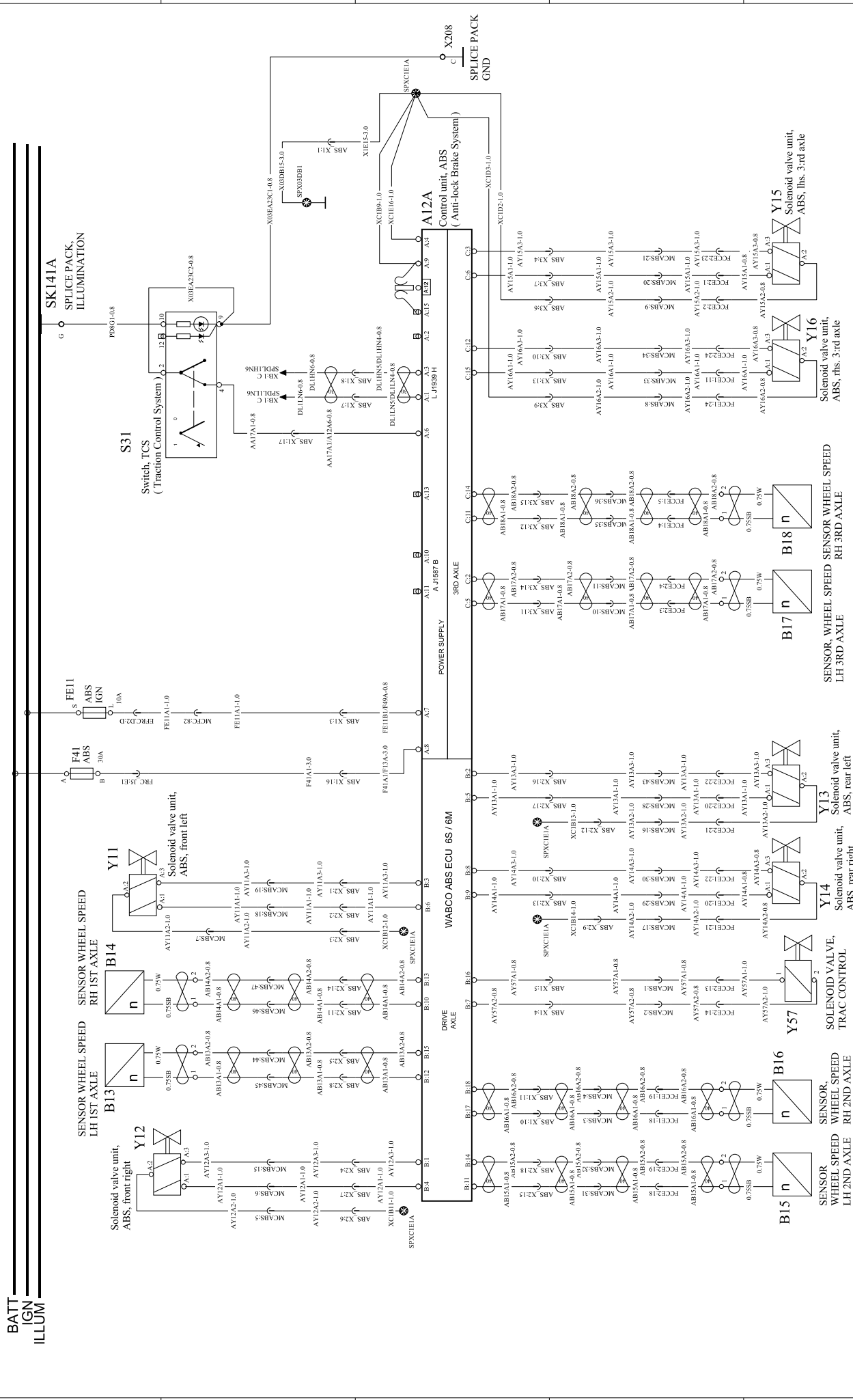
D

E

Volvo Truck Corporation		Document title WIRING DIAGRAM, 12V MACK CONVENTIONAL		Document No 23970505		Issue 02		Volume 1 (1)		Page 35 (104)	
		Document type PRODUCT SCHEMATIC									
0		1		2		3		4			

ABS CONTROL WABCO

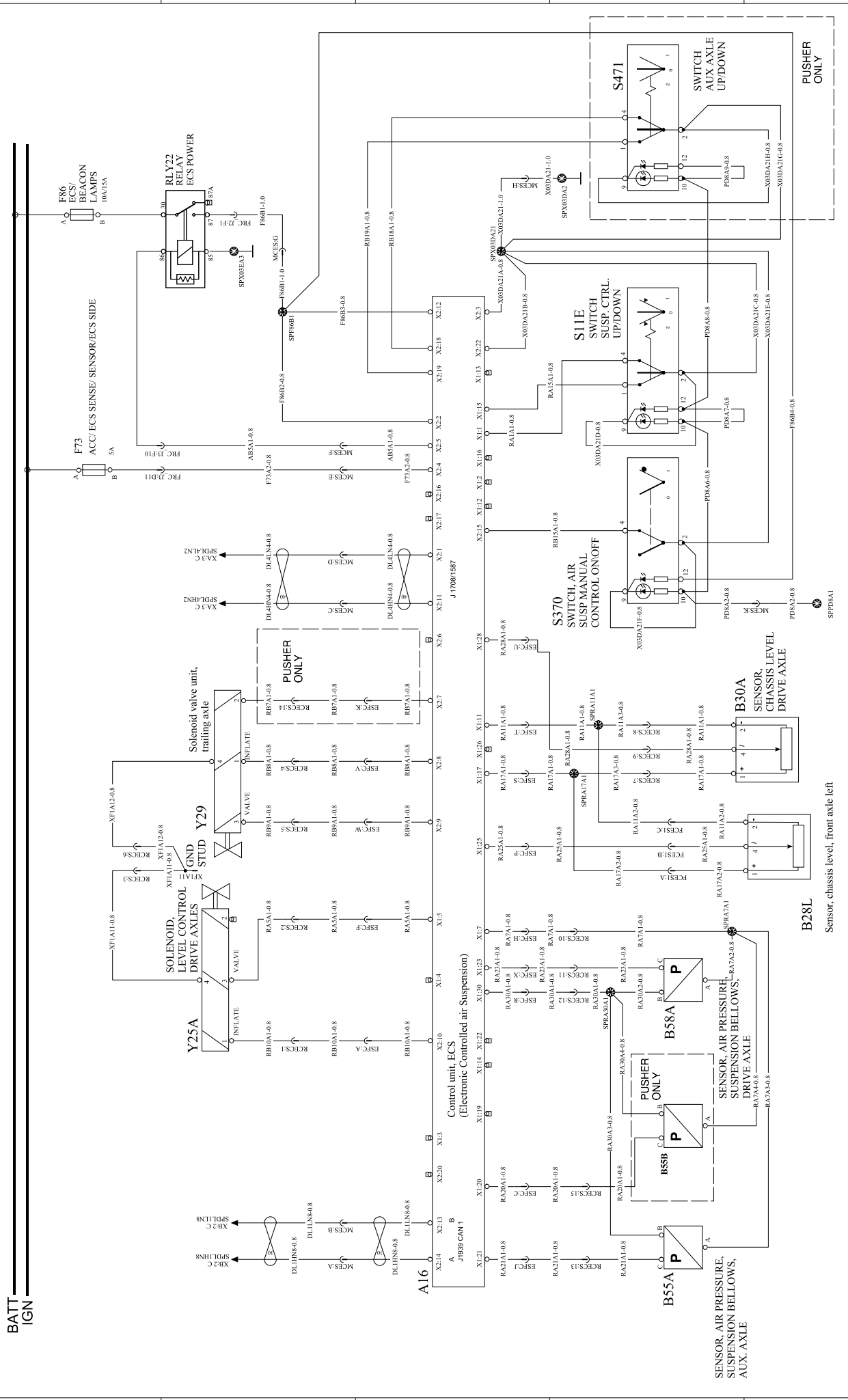
WIRING DIAGRAM: EA



Document title		Document No		Issue		Volume		Page	
WIRING DIAGRAM, 12V MACK CONVENTIONAL		23970505		02		1 (1) 36 (104)			
Document type		Document No		Issue		Volume		Page	
PRODUCT SCHEMATIC		23970505		02		1 (1) 36 (104)			

SUSPENSION ECU 6X2

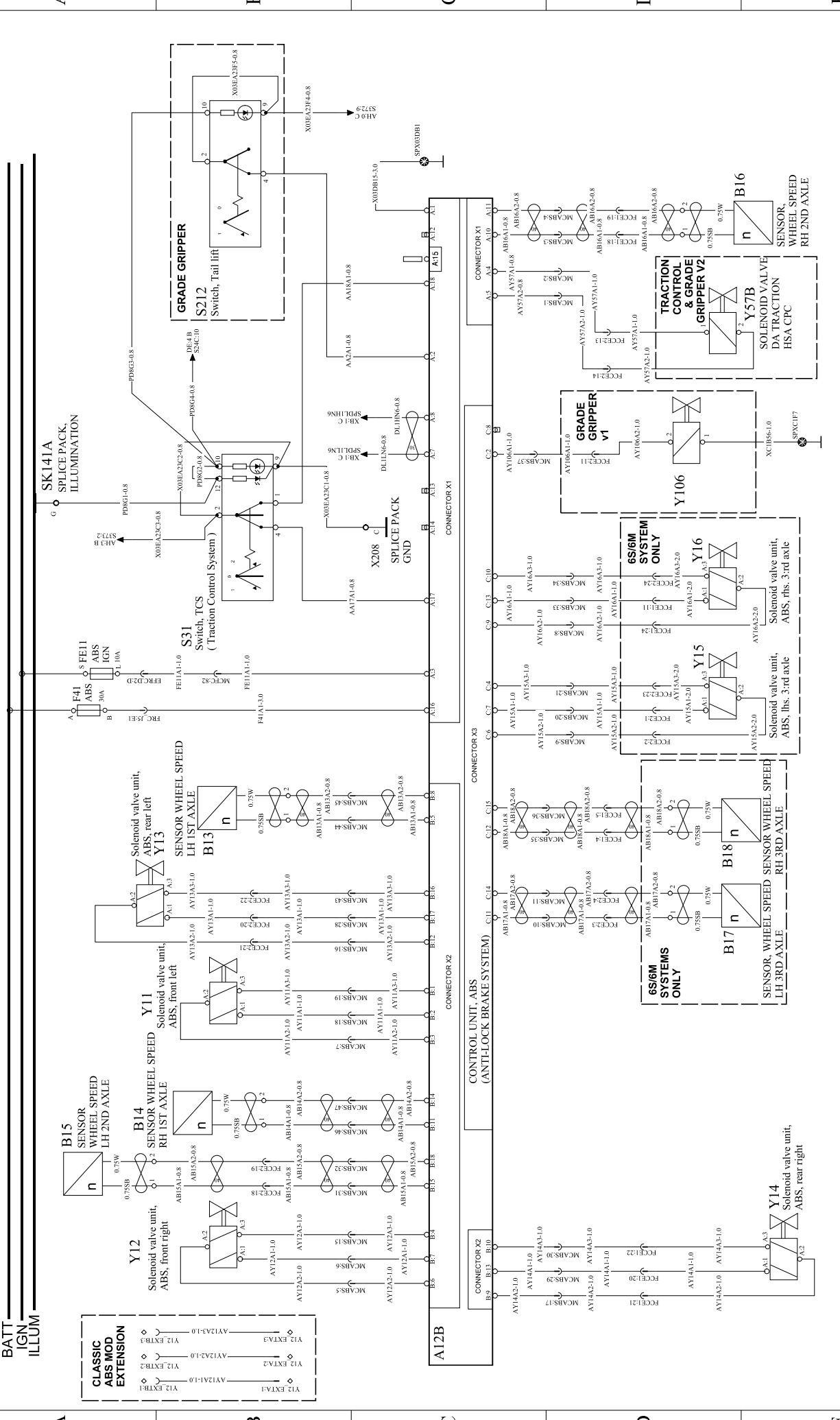
WIRING DIAGRAM: EB



Document title WIRING DIAGRAM, 12V MACK CONVENTIONAL		Document No 23970505	Issue 02	Volume 1 (1) 37 (104)	Page 4
Document type PRODUCT SCHEMATIC					
Volvo Truck Corporation					

WIRING DIAGRAM: EC

ABS CONTROL BENDIX



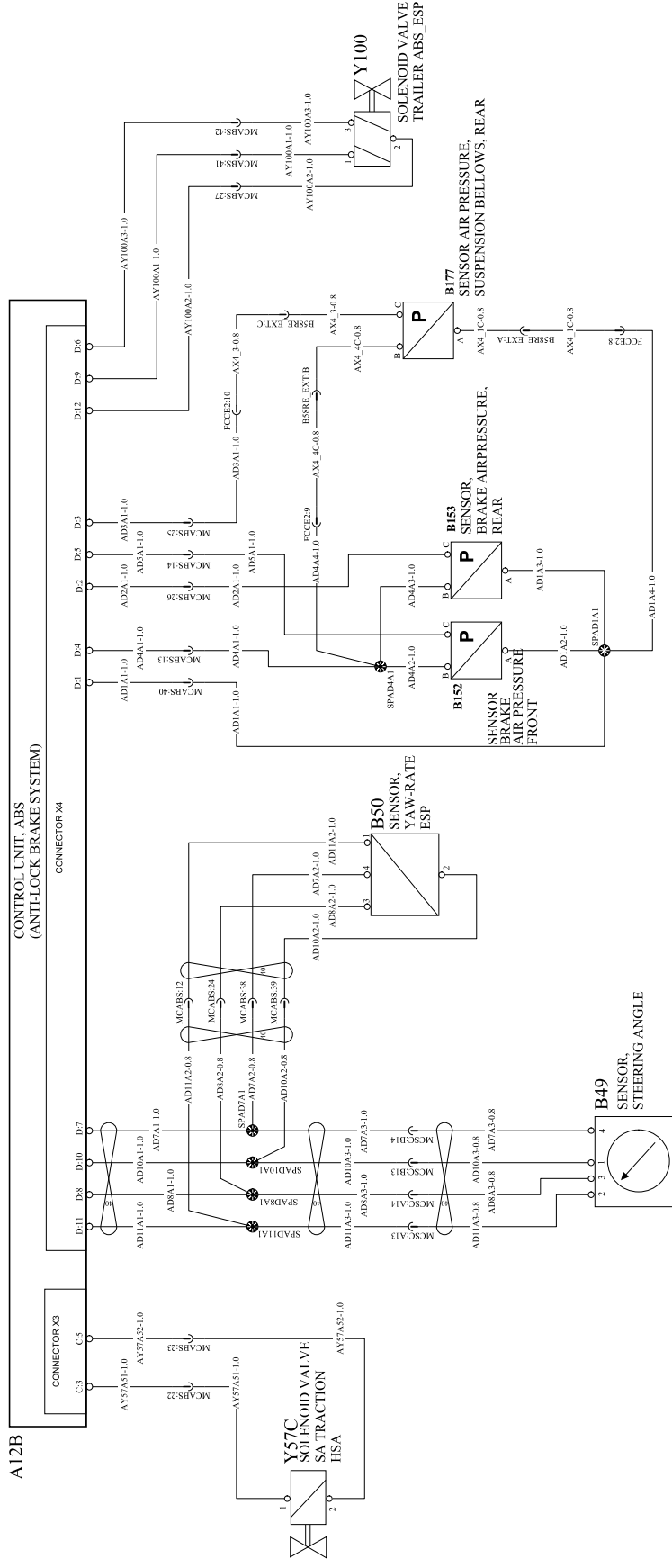
BATT
IGN
ILLUM

- Y12 EXT A1
- Y12 EXT B1
- Y12 EXT C1
- Y12 EXT D1
- Y12 EXT E1
- Y12 EXT F1
- Y12 EXT G1
- Y12 EXT H1
- Y12 EXT I1
- Y12 EXT J1
- Y12 EXT K1
- Y12 EXT L1
- Y12 EXT M1
- Y12 EXT N1
- Y12 EXT O1
- Y12 EXT P1
- Y12 EXT Q1
- Y12 EXT R1
- Y12 EXT S1
- Y12 EXT T1
- Y12 EXT U1
- Y12 EXT V1
- Y12 EXT W1
- Y12 EXT X1
- Y12 EXT Y1
- Y12 EXT Z1

Document title	Document No	Issue	Volume	Page
WIRING DIAGRAM, 12V MACK CONVENTIONAL	23970505	02	1 (1)	38 (104)
PRODUCT SCHEMATIC				

ABS CONTROL BENDIX ECS

WIRING DIAGRAM: ED

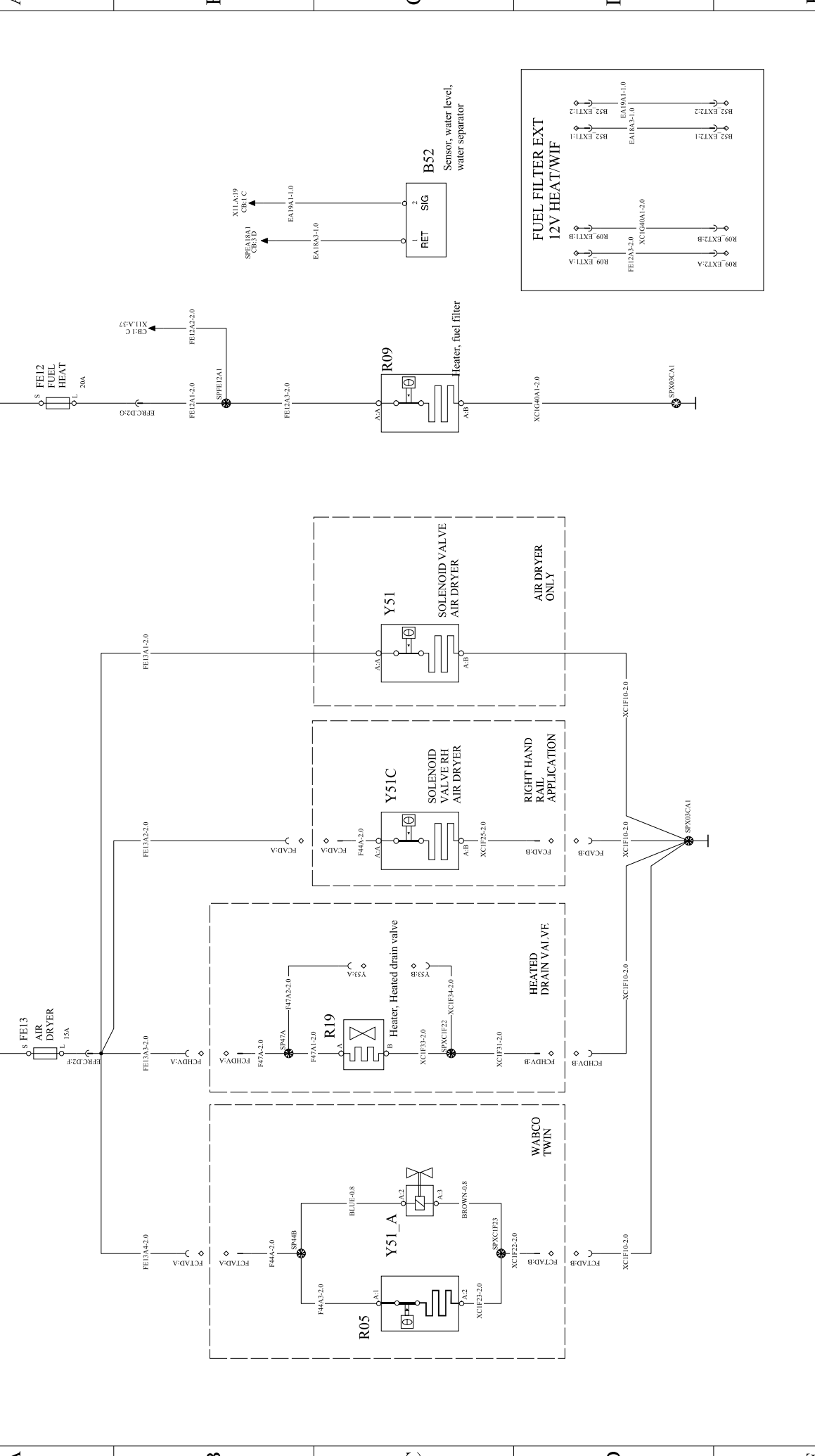


Volvo Truck Corporation		Document No 23970505		Issue 02	Volume 1 (1) 39 (104)	Page
WIRING DIAGRAM, 12V MACK CONVENTIONAL		Document title		3		4
PRODUCT SCHEMATIC		Document type		2		

AIR DRYER/HEATED DRAIN VALVE

WIRING DIAGRAM: FA

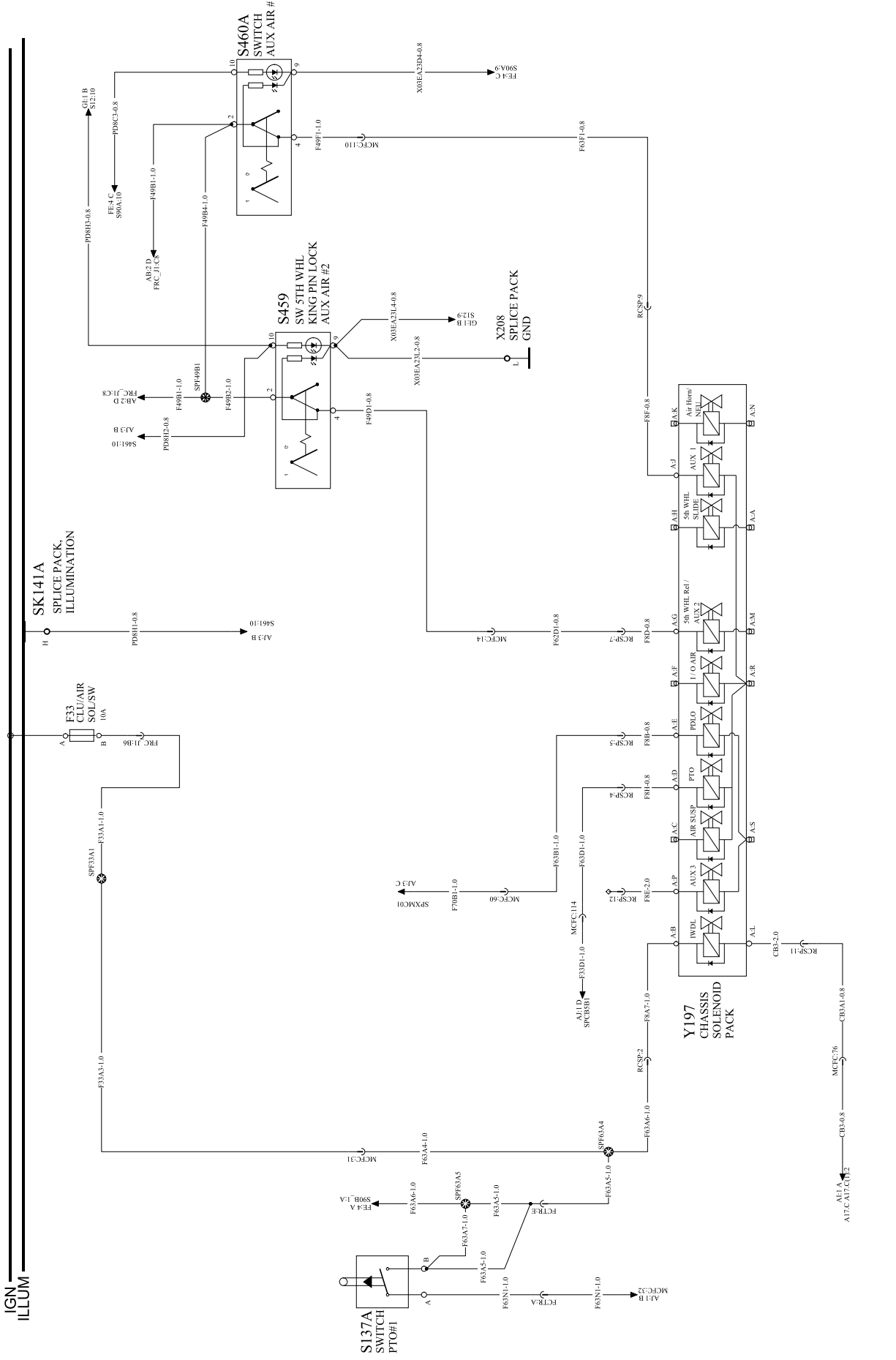
IGN



Document title WIRING DIAGRAM, 12V MACK CONVENTIONAL	Document No	Issue	Volume	Page
	23970505	02	1 (1) 40 (104)	4
Document type PRODUCT SCHEMATIC				
Volvo Truck Corporation	0	1	2	3

CHASSIS SOLENOIDS 1/2

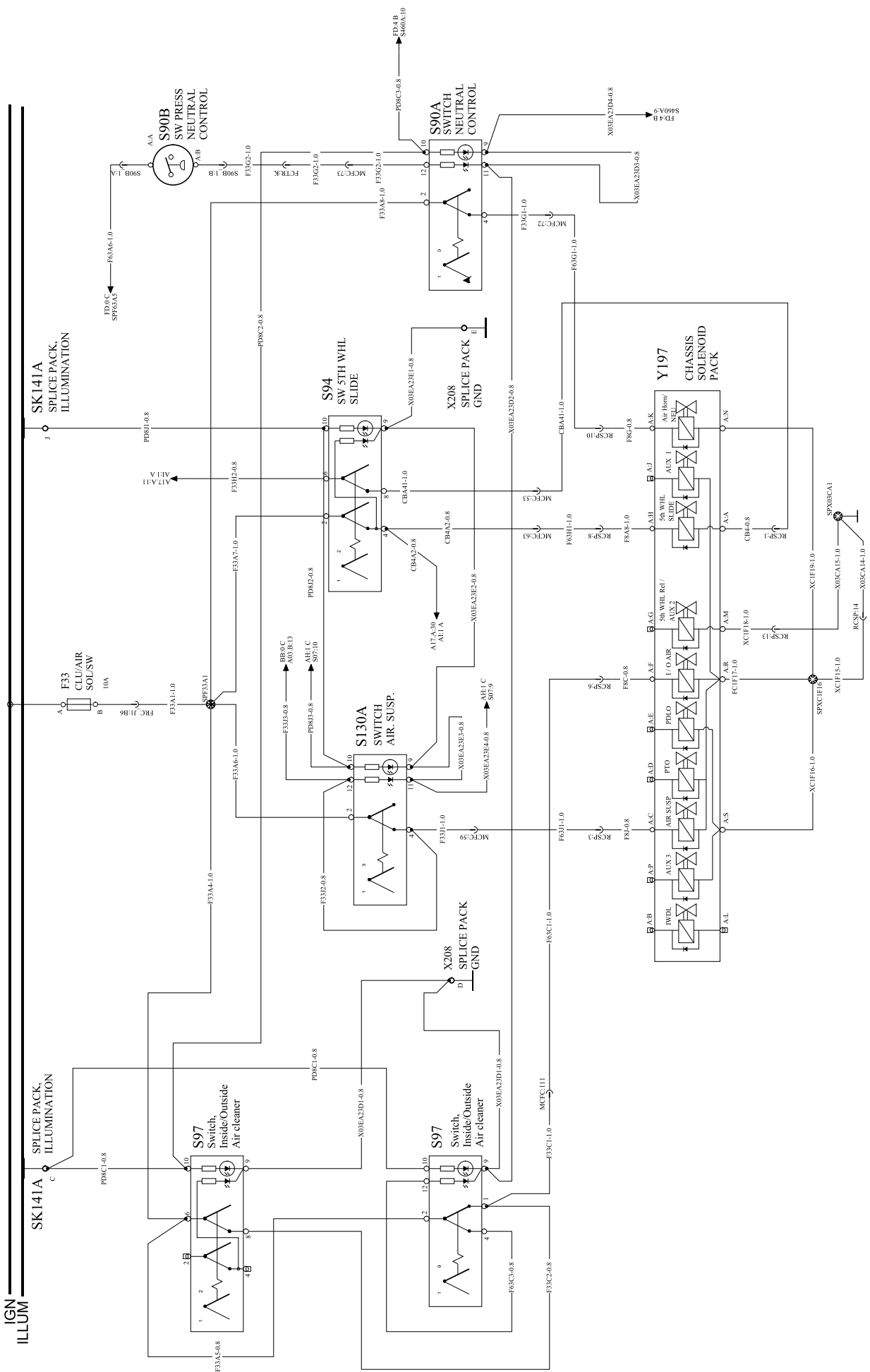
WIRING DIAGRAM: FD



Document title WIRING DIAGRAM, 12V MACK CONVENTIONAL		Document No 23970505	Issue 02	Volume 1 (1)	Page 41 (104)
Document type PRODUCT SCHEMATIC					
Volvo Truck Corporation					

CHASSIS SOLENOIDS 2/2

WIRING DIAGRAM: FE



<p>Document title WIRING DIAGRAM, 12V MACK CONVENTIONAL</p> <p>Document type PRODUCT SCHEMATIC</p>	<p>Document No 23970505</p>	<p>Issue 02</p>	<p>Volume 1 (1)</p>	<p>Page 42 (104)</p>
	<p>0</p>	<p>1</p>	<p>2</p>	<p>3</p>

TIRE PRESSURE MONITOR

WIRING DIAGRAM : FG

A

A

B

B

C

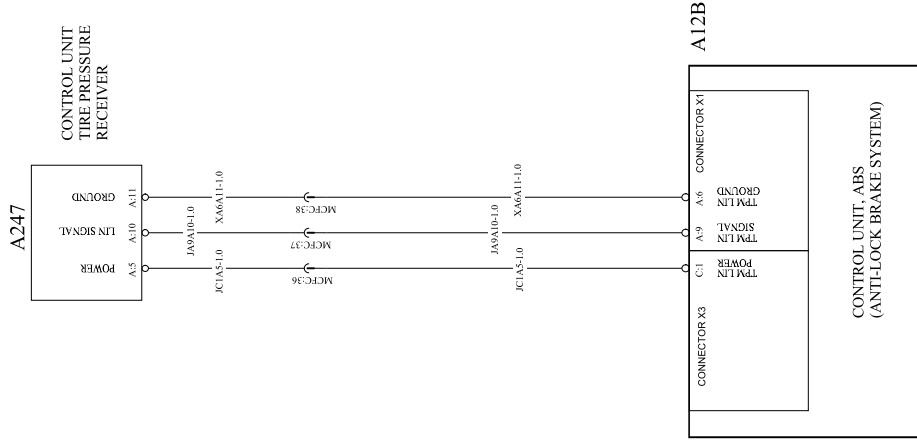
C

D

D

E

E

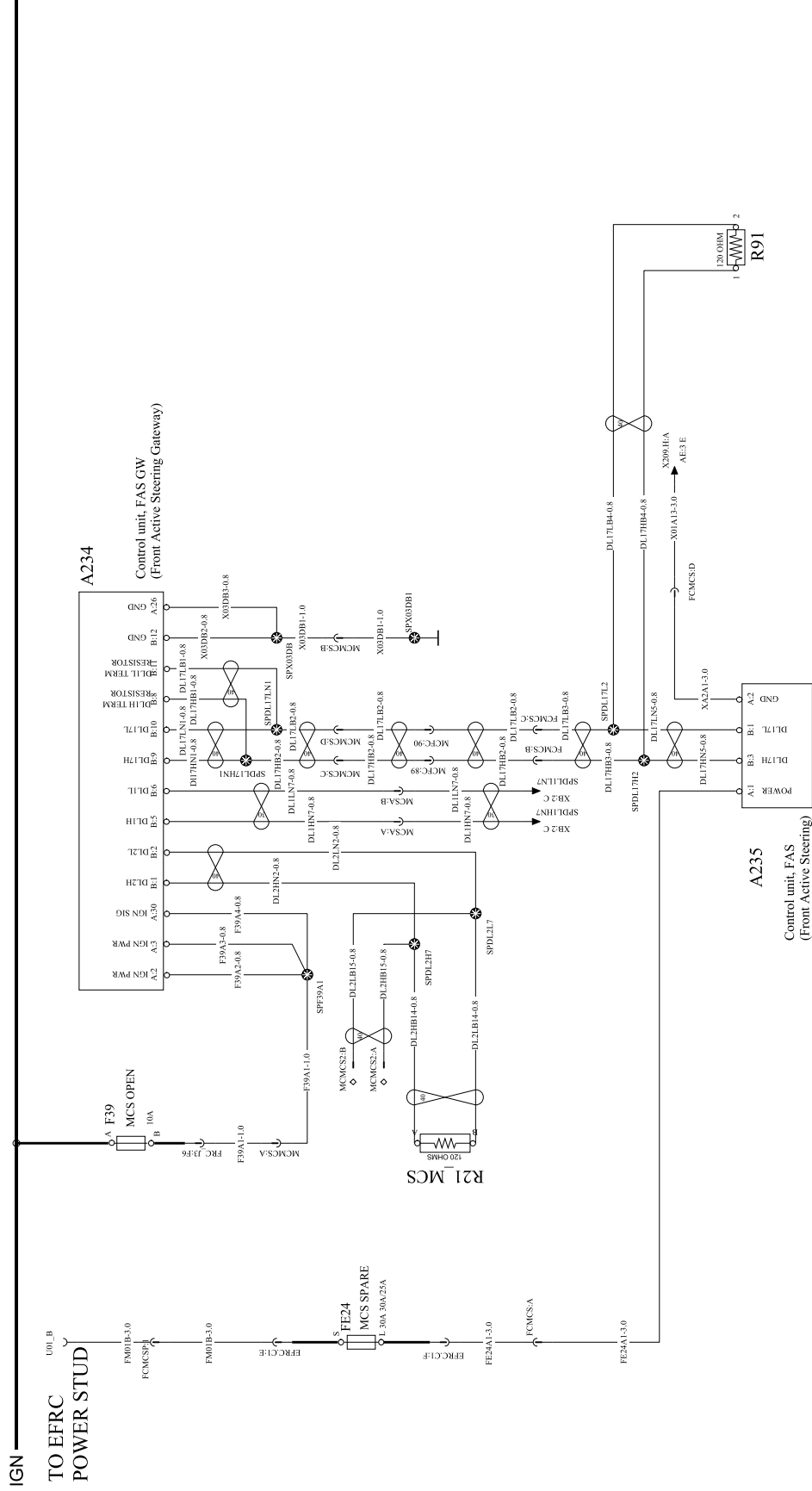


Document title	WIRING DIAGRAM, 12V MACK CONVENTIONAL
Document type	PRODUCT SCHEMATIC

Document No	23970505	Issue	02	Volume	1 (1)	Page	43 (104)
-------------	----------	-------	----	--------	-------	------	----------

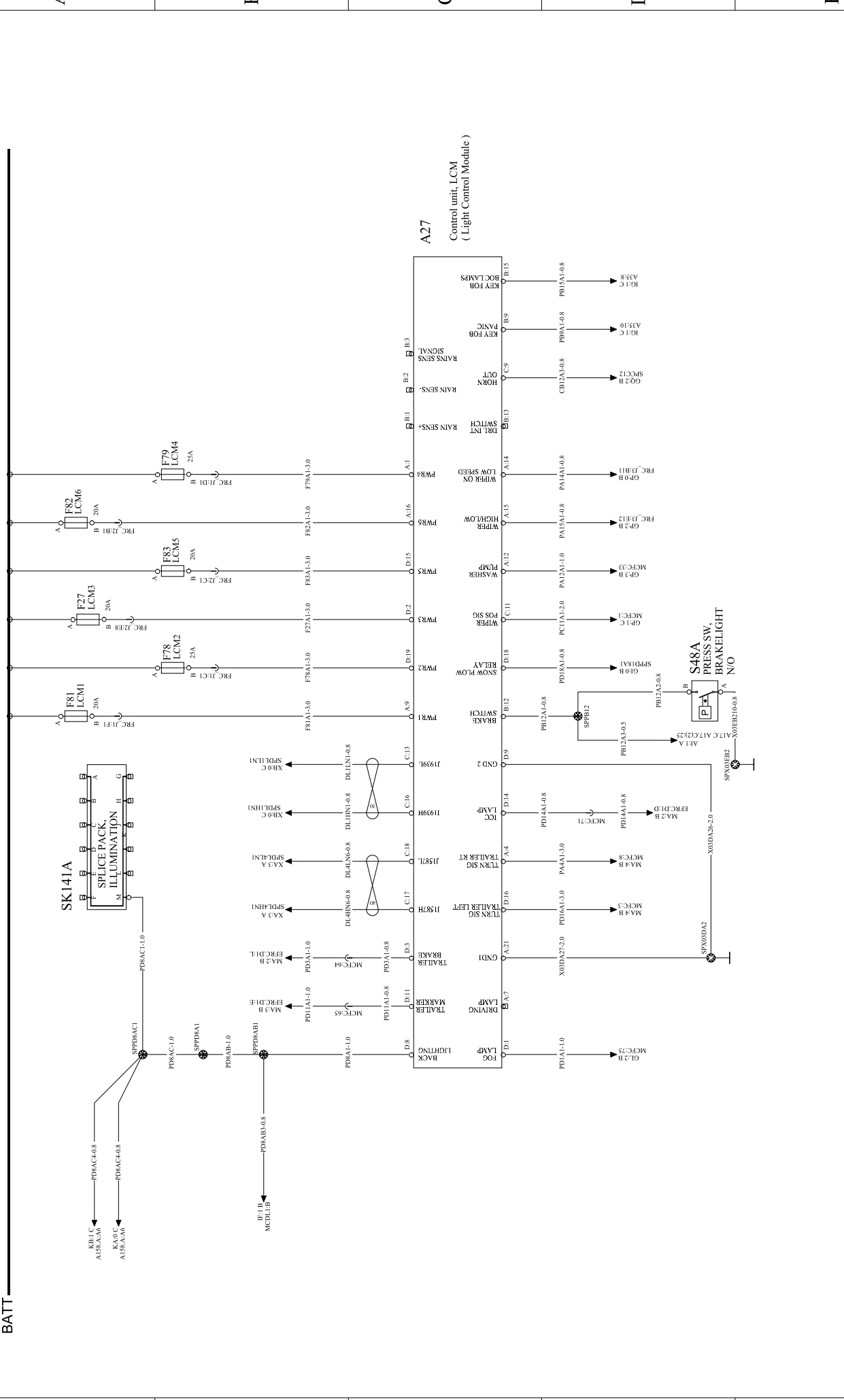
MACK COMMAND STEERING

WIRING DIAGRAM: FH



Document title WIRING DIAGRAM, 12V MACK CONVENTIONAL		Document No 23970505	Issue 02	Volume 1 (1)	Page 44 (104)
Document type PRODUCT SCHEMATIC					
Volvo Truck Corporation					
0	1	2	3	4	

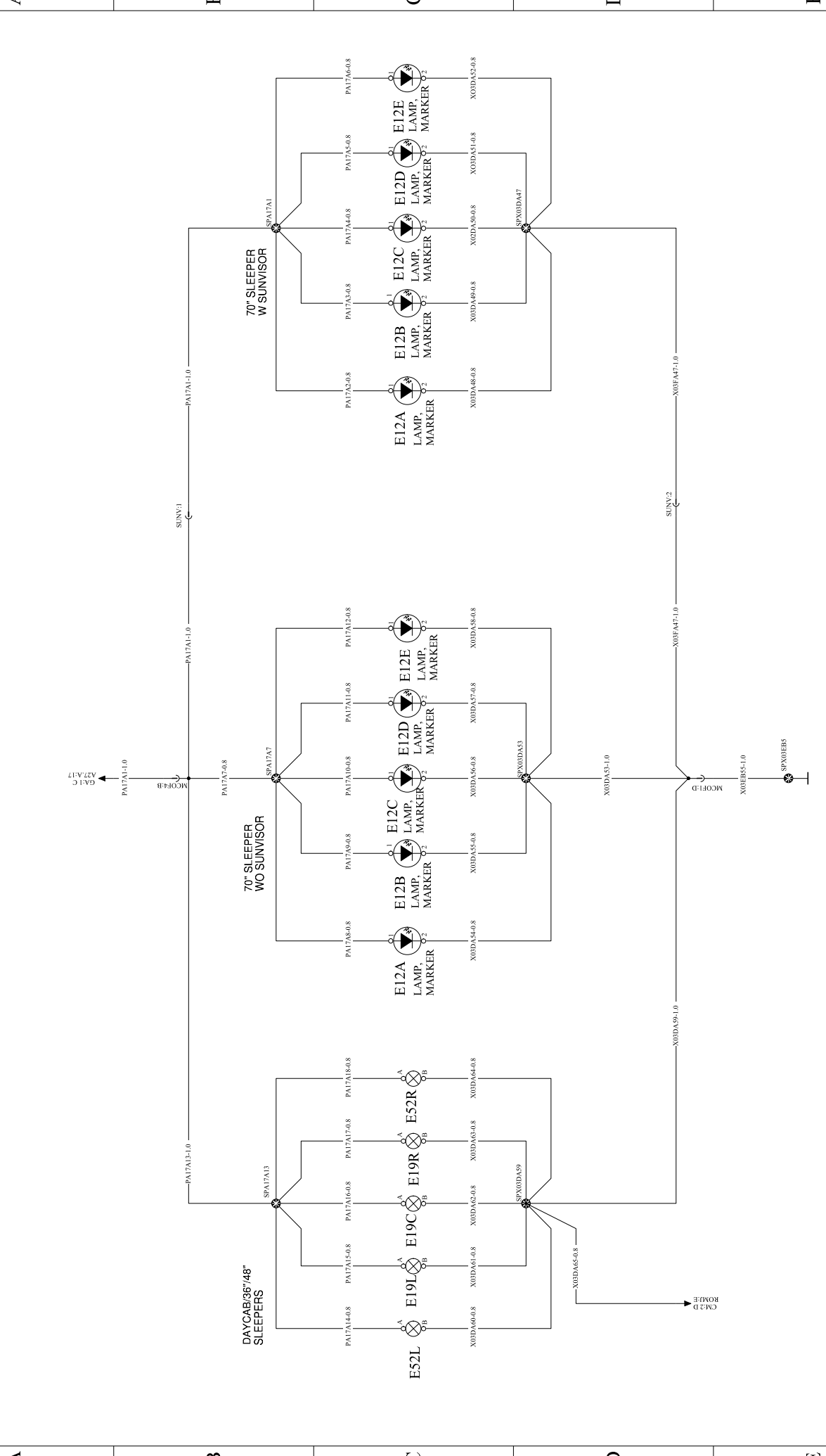
WIRING DIAGRAM: GB



Document title	WIRING DIAGRAM, 12V MACK CONVENTIONAL		
	PRODUCT SCHEMATIC		
Document No	23970505		
Issue	02	Volume	1 (1) 46 (104)
Page	4		

CLEARANCE LAMPS

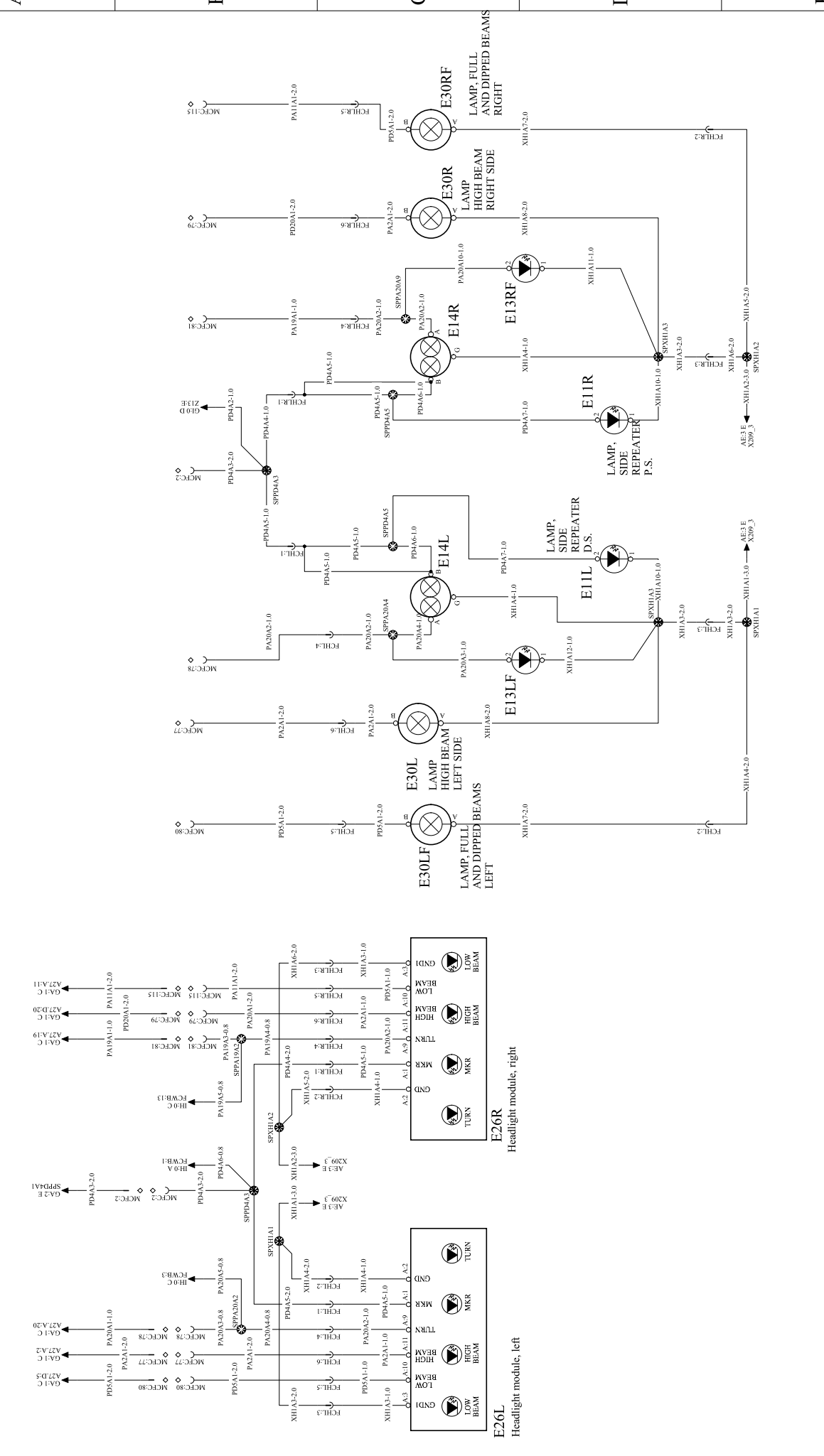
WIRING DIAGRAM: GC



Document title WIRING DIAGRAM, 12V MACK CONVENTIONAL		Document No 23970505	Issue 02	Volume 1 (1) 47 (104)	Page 47 (104)
Volvo Truck Corporation					

DRIVING/SIGNAL LIGHTS: AERO OR CONSTRUC

WIRING DIAGRAM: GD



Document title	WIRING DIAGRAM, 12V MACK CONVENTIONAL		
Document type	PRODUCT SCHEMATIC		
Document No	23970505		
Issue	02	Volume	1 (1) 48 (104)
Page	4		

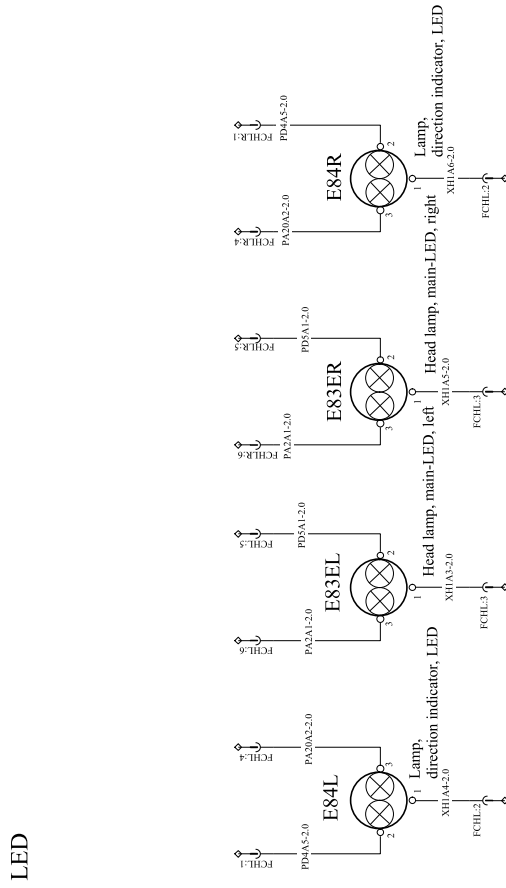
Volvo Truck Corporation

LIGHTING FORWARD SIGNAL: CLASSIC

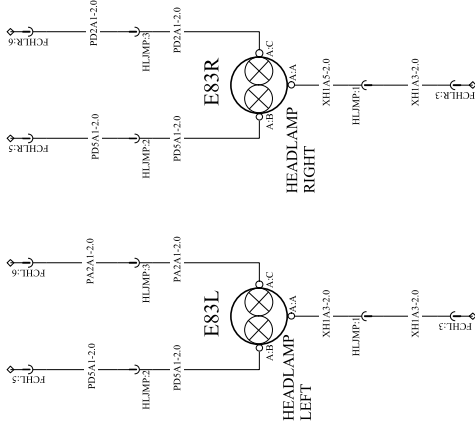
WIRING DIAGRAM: GE

SEE SHEET GD FOR CONNECTIONS TO FRONT CHASSIS

LED



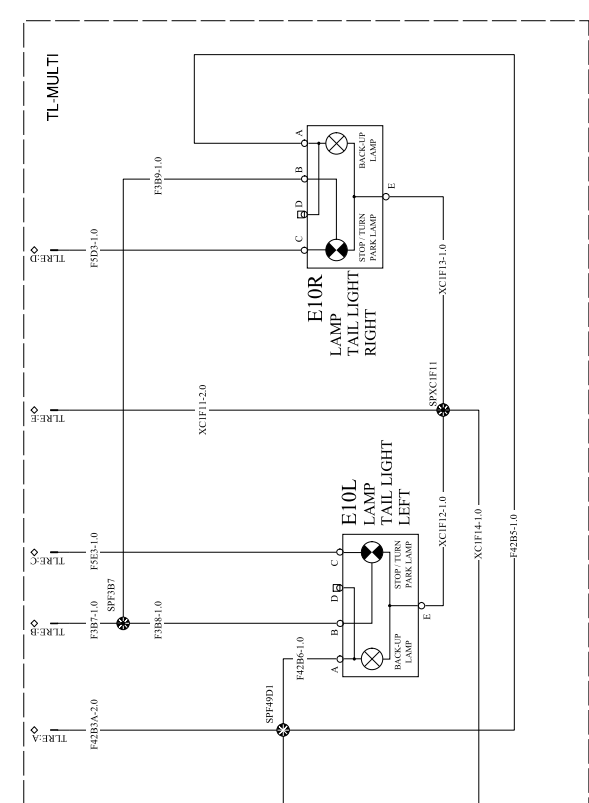
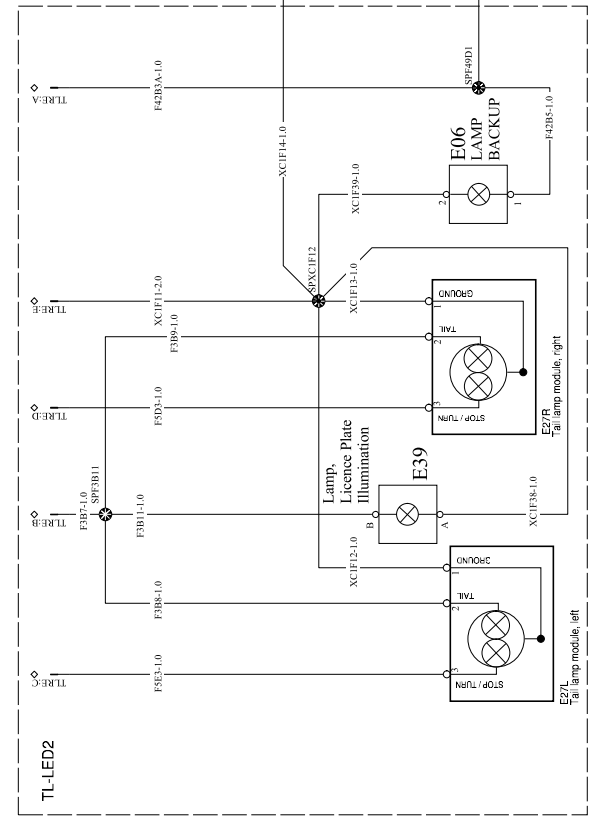
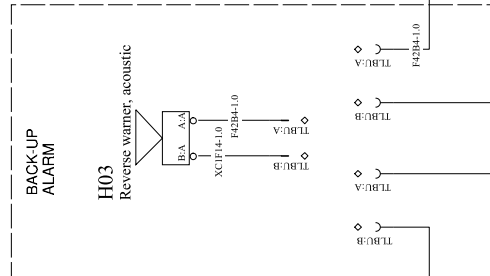
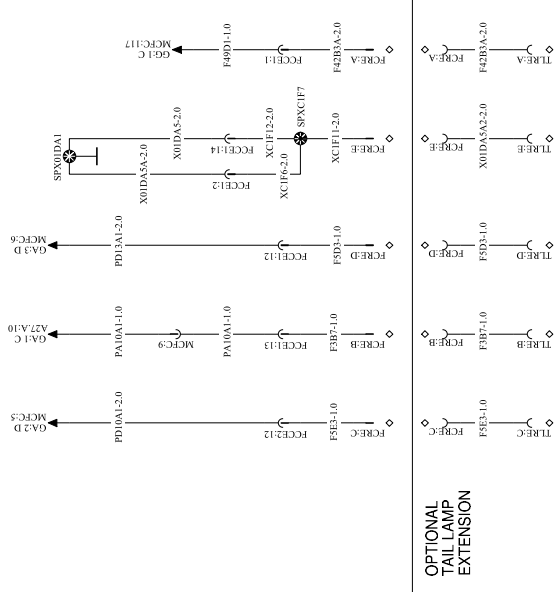
HALOGEN



Document title WIRING DIAGRAM, 12V MACK CONVENTIONAL		Document No 23970505	Issue 02	Volume 1 (1)	Page 49 (104)
Document type PRODUCT SCHEMATIC					

WIRING DIAGRAM: GF

TAIL LAMPS W/ ALARM



A

B

C

D

E

Document title
WIRING DIAGRAM, 12V MACK CONVENTIONAL

Document type
PRODUCT SCHEMATIC

Document No
23970505

Issue
02

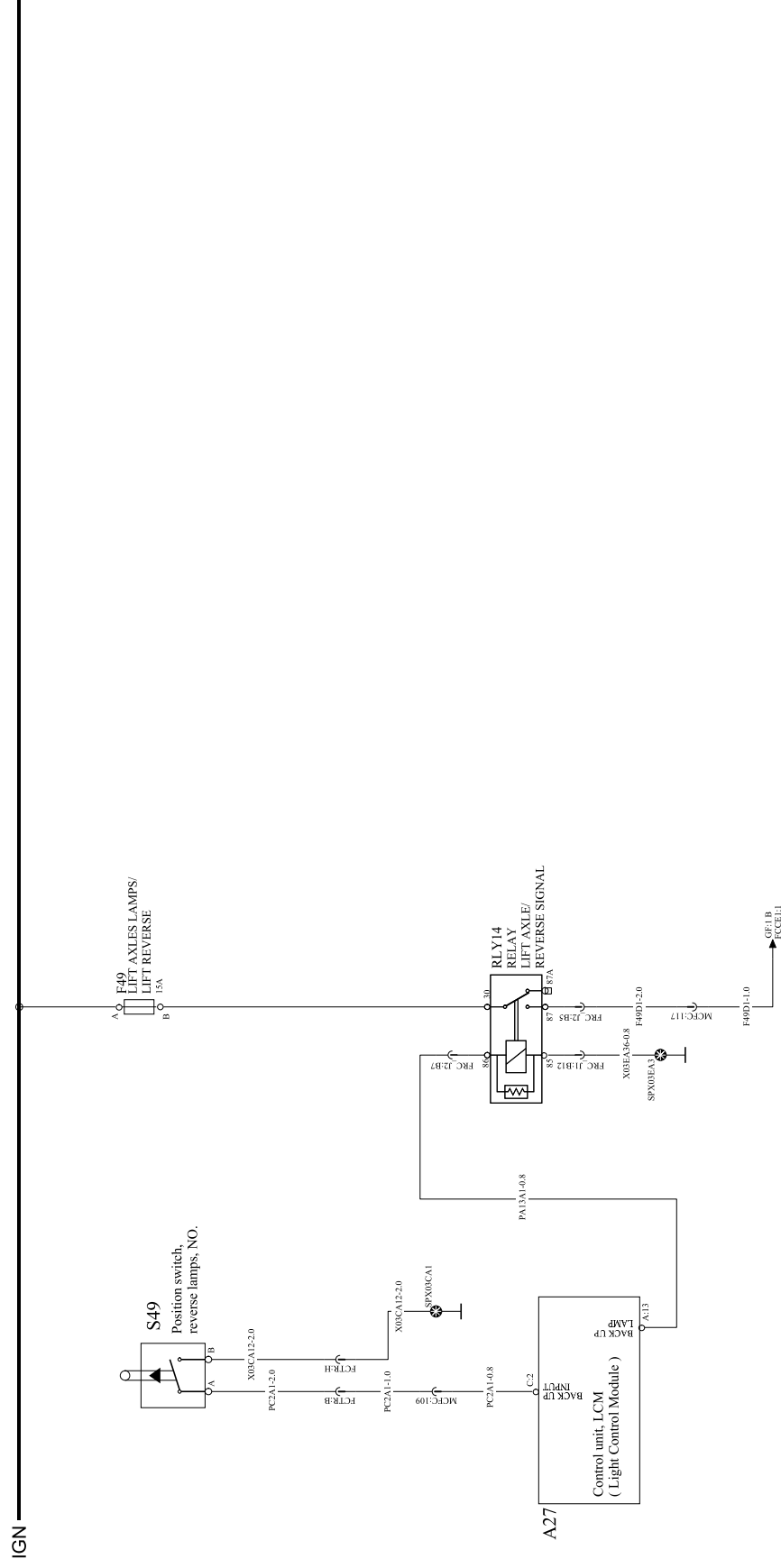
Volume
1 (1) 50 (104)

Page
4

Volvo Truck Corporation

LIGHT CONTROL - BACK UP LAMPS

WIRING DIAGRAM: GG



A B C D E

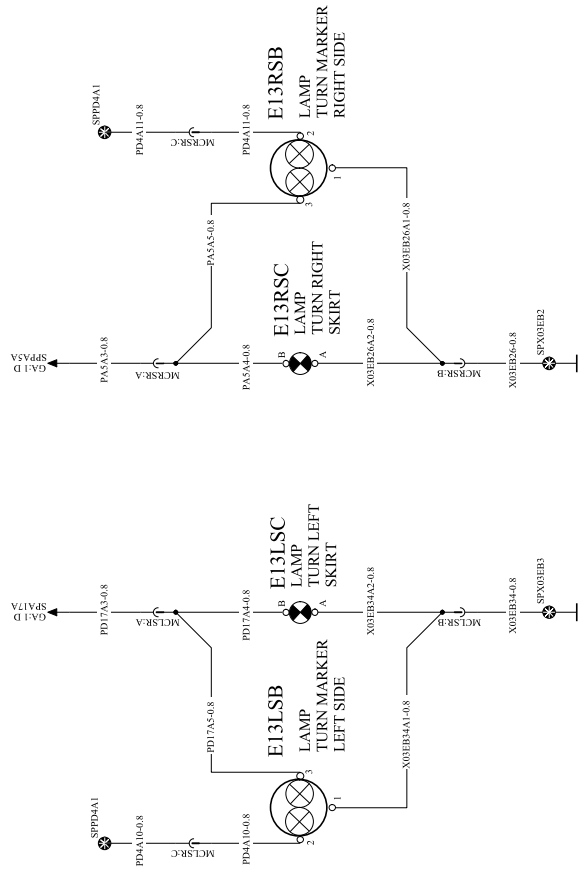
A B C D E

Volvo Truck Corporation		Document title		Document No		Issue		Volume		Page	
		WIRING DIAGRAM, 12V MACK CONVENTIONAL		23970505		02		1 (1)		51 (104)	
		Document type									
		PRODUCT SCHEMATIC									

SIDE REPEATER/MARKER OPTIONS

WIRING DIAGRAM: GH

A A B C D E

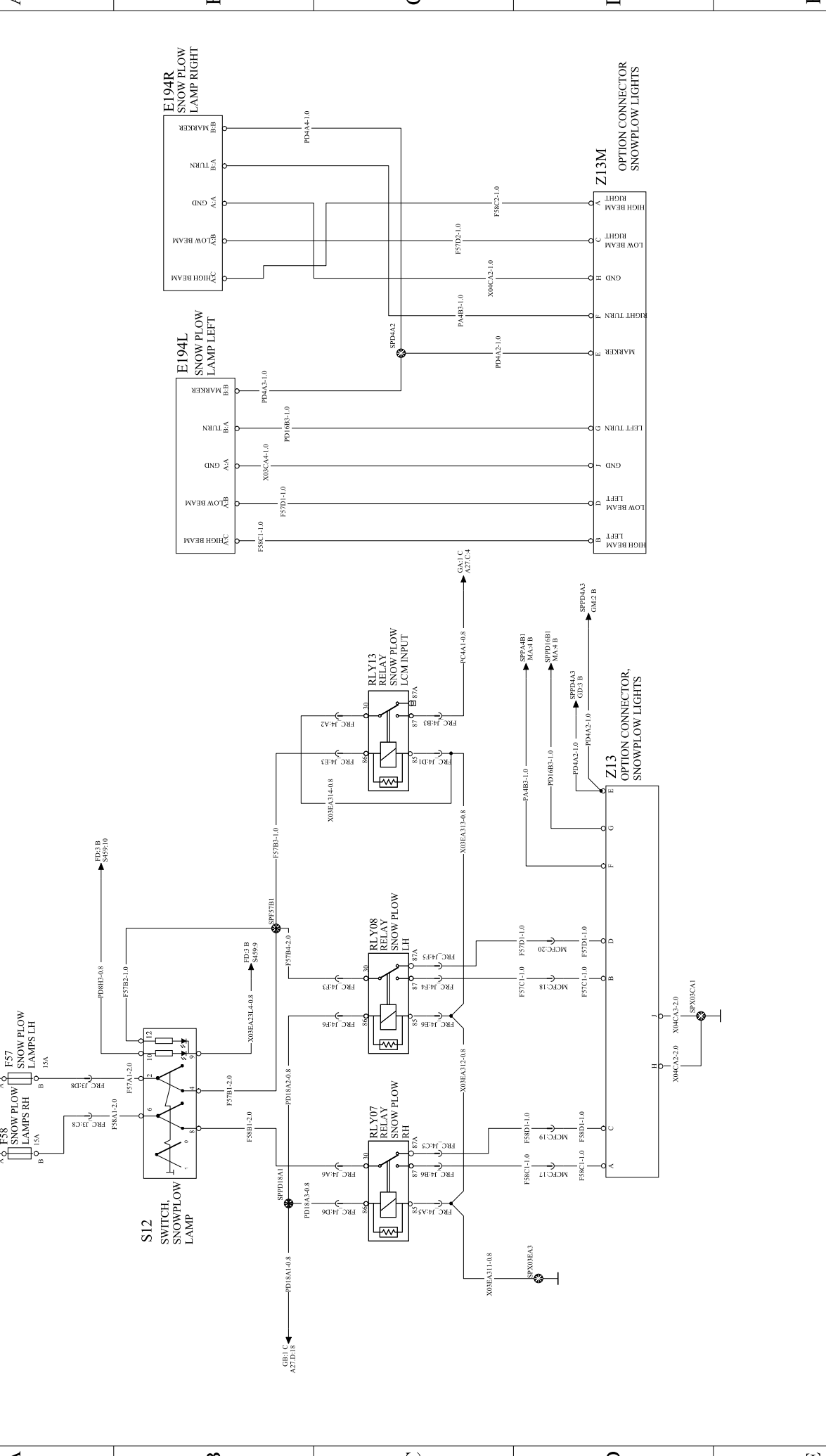


Volvo Truck Corporation	Document title WIRING DIAGRAM, 12V MACK CONVENTIONAL		Document No 23970505	Issue 02	Volume 1 (1)	Page 52 (104)
	Document type PRODUCT SCHEMATIC					

WIRING DIAGRAM: GI

SNOW PLOW PREP

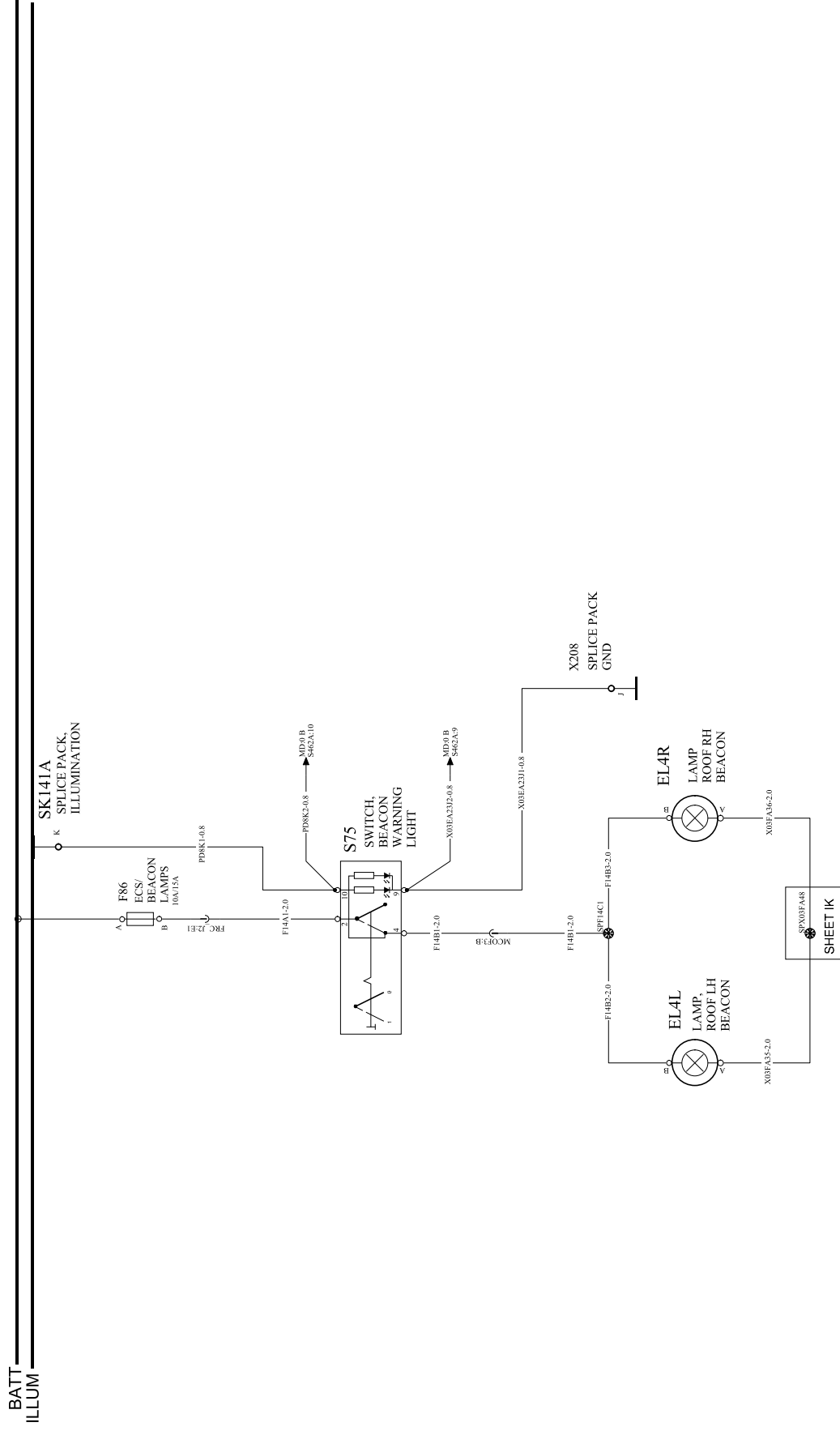
IGN



Document No	Document Title	Document Type	Volume	Issue	Page
23970505	WIRING DIAGRAM, 12V MACK CONVENTIONAL	PRODUCT SCHEMATIC	1 (1)	02	53 (104)

BEACON LAMPS

WIRING DIAGRAM: GJ



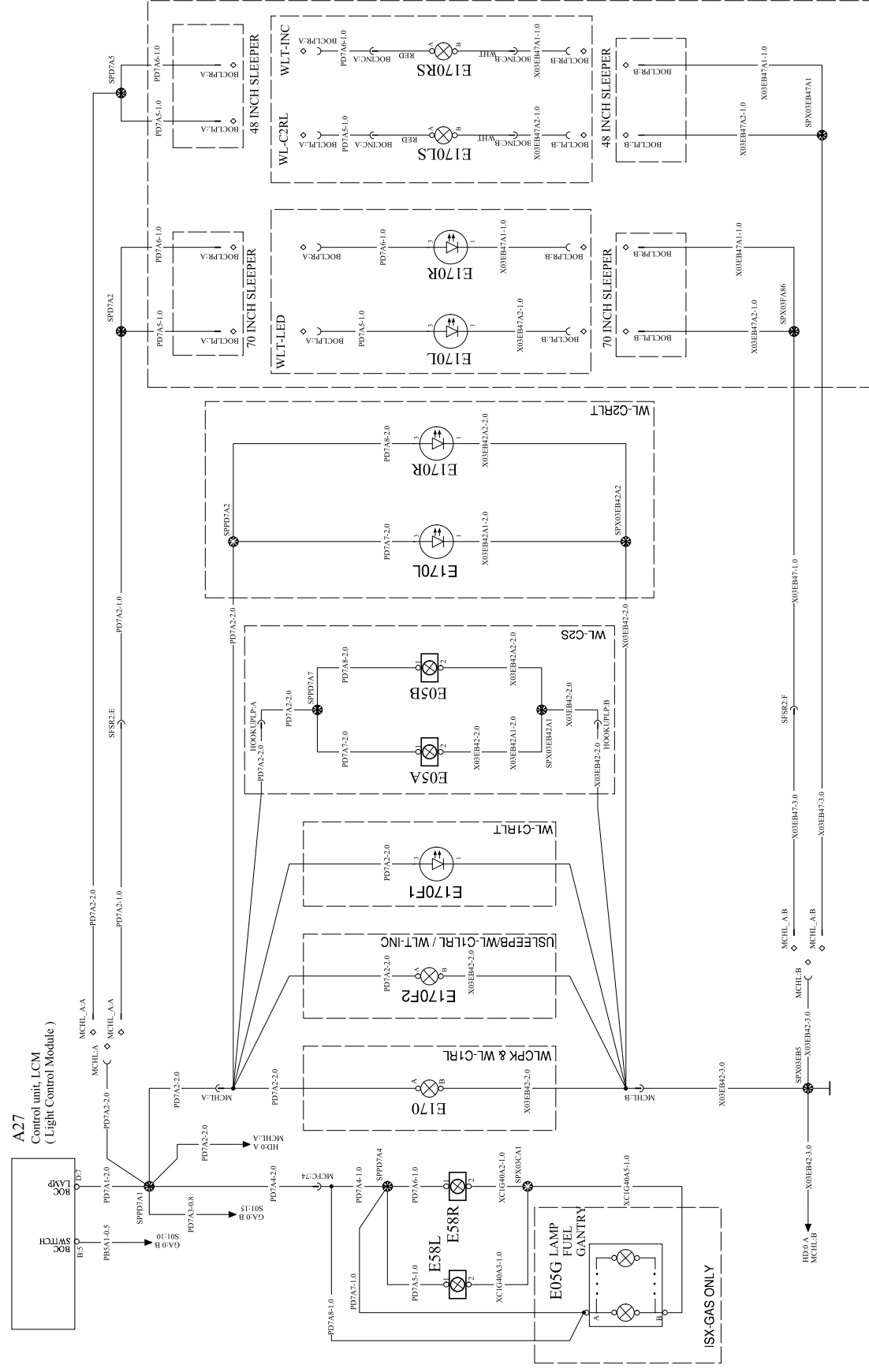
Volvo Truck Corporation

Document No	23970505	Issue	02	Volume	1 (1)	Page	54 (104)
-------------	----------	-------	----	--------	-------	------	----------

Document title	WIRING DIAGRAM, 12V MACK CONVENTIONAL
Document type	PRODUCT SCHEMATIC

HOOK UP LAMPS

WIRING DIAGRAM: GK



Document title WIRING DIAGRAM, 12V MACK CONVENTIONAL		Document No 23970505	Issue 02	Volume 1 (1)	Page 55 (104)
Document type PRODUCT SCHEMATIC					

0

1

2

3

4

FOG LIGHTS

WIRING DIAGRAM: GL

A

A

B

B

C

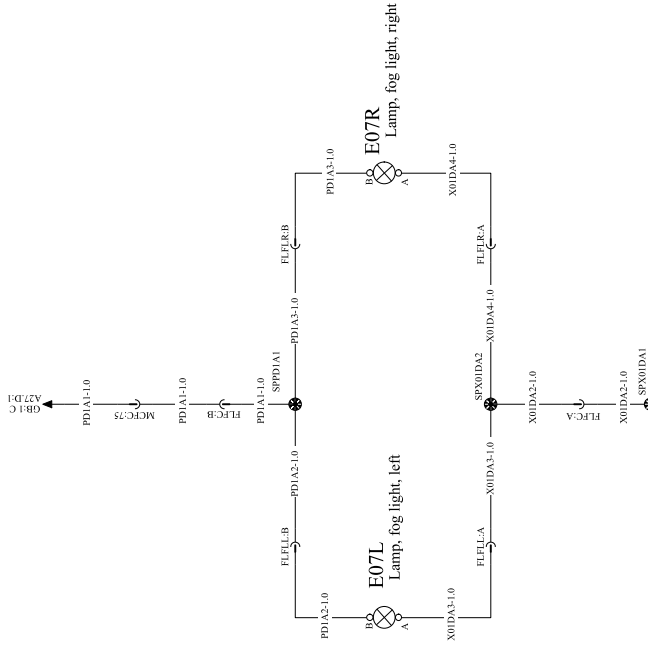
C

D

D

E

E



Document title	WIRING DIAGRAM, 12V MACK CONVENTIONAL
Document type	PRODUCT SCHEMATIC

Document No	23970505
Issue	02
Volume	1 (1)
Page	56 (104)

0

1

2

3

4

Volvo Truck Corporation

DRIVING/SIGNAL LIGHTS:CONSTRUC

WIRING DIAGRAM: GM

A

A

B

B

C

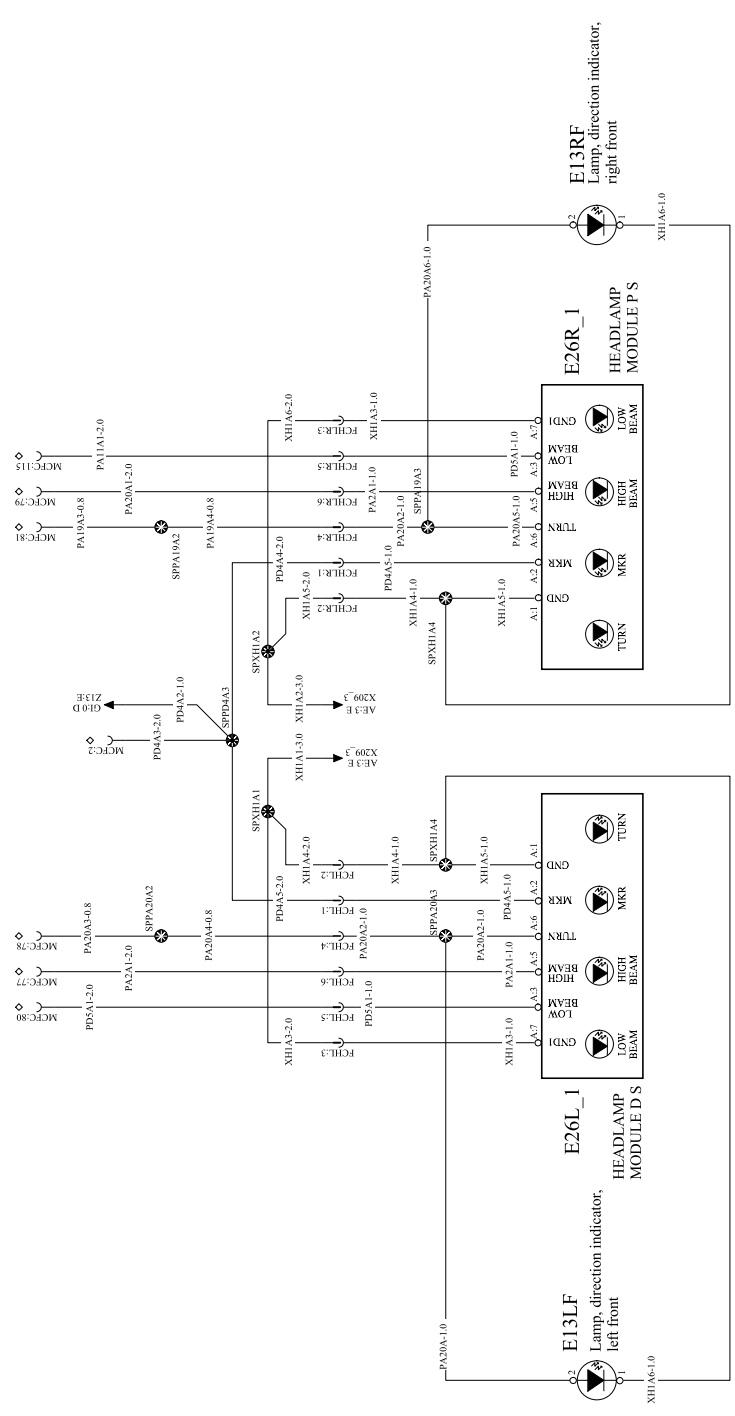
C

D

D

E

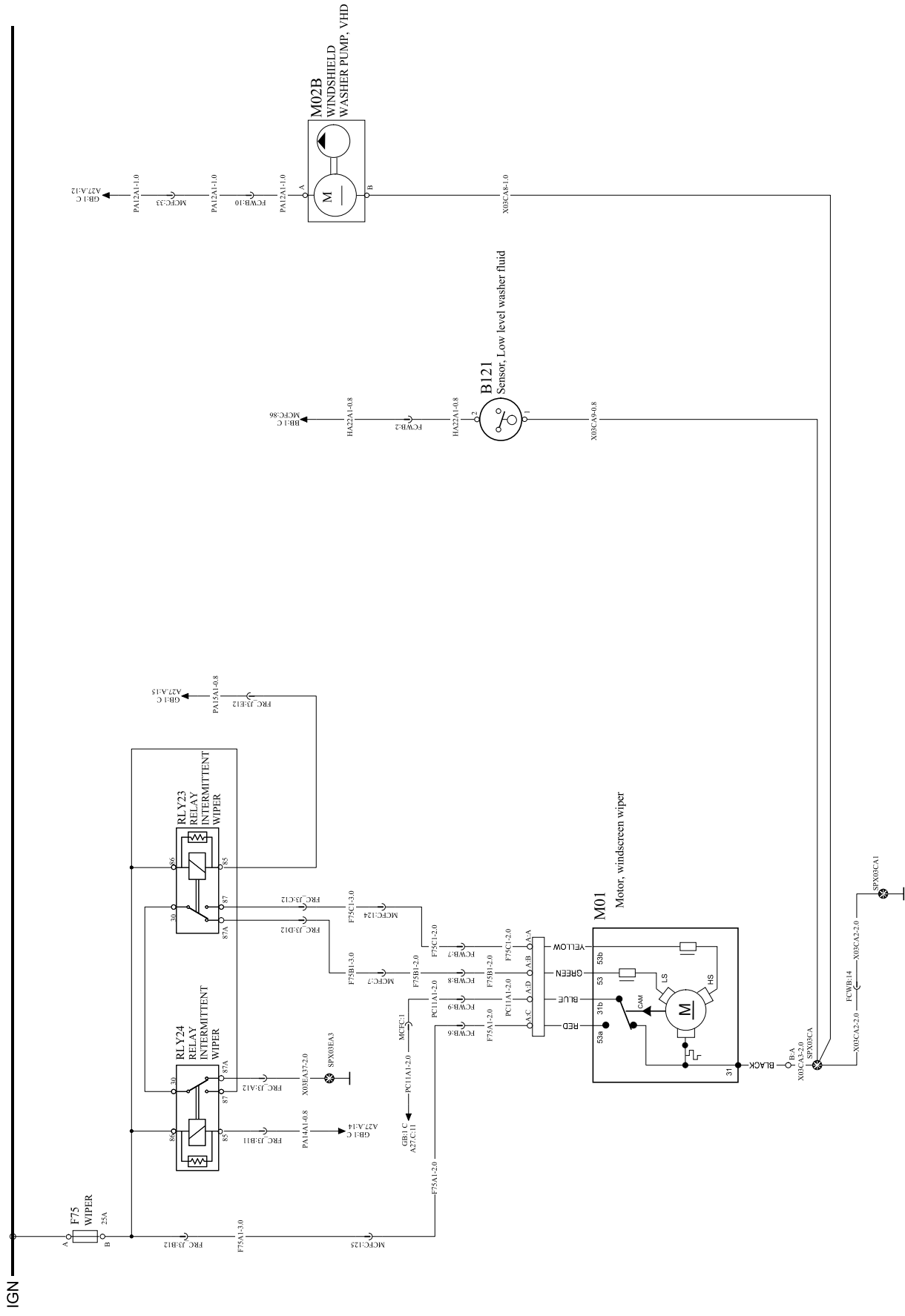
E



Document title WIRING DIAGRAM, 12V MACK CONVENTIONAL		Document No 23970505	Issue 02	Volume 1 (1)	Page 57 (104)
Document type PRODUCT SCHEMATIC					
0	1	2	3	4	
Volvo Truck Corporation					

WINSHIELD WIPER/WASHER

WIRING DIAGRAM: GP



Volvo Truck Corporation

Document title
 WIRING DIAGRAM, 12V MACK CONVENTIONAL

Document type
 PRODUCT SCHEMATIC

Document No
 23970505

Page

Volume

Issue

1 (1) 58 (104)

0 1 2 3 4

WIRING DIAGRAM: GQ

A

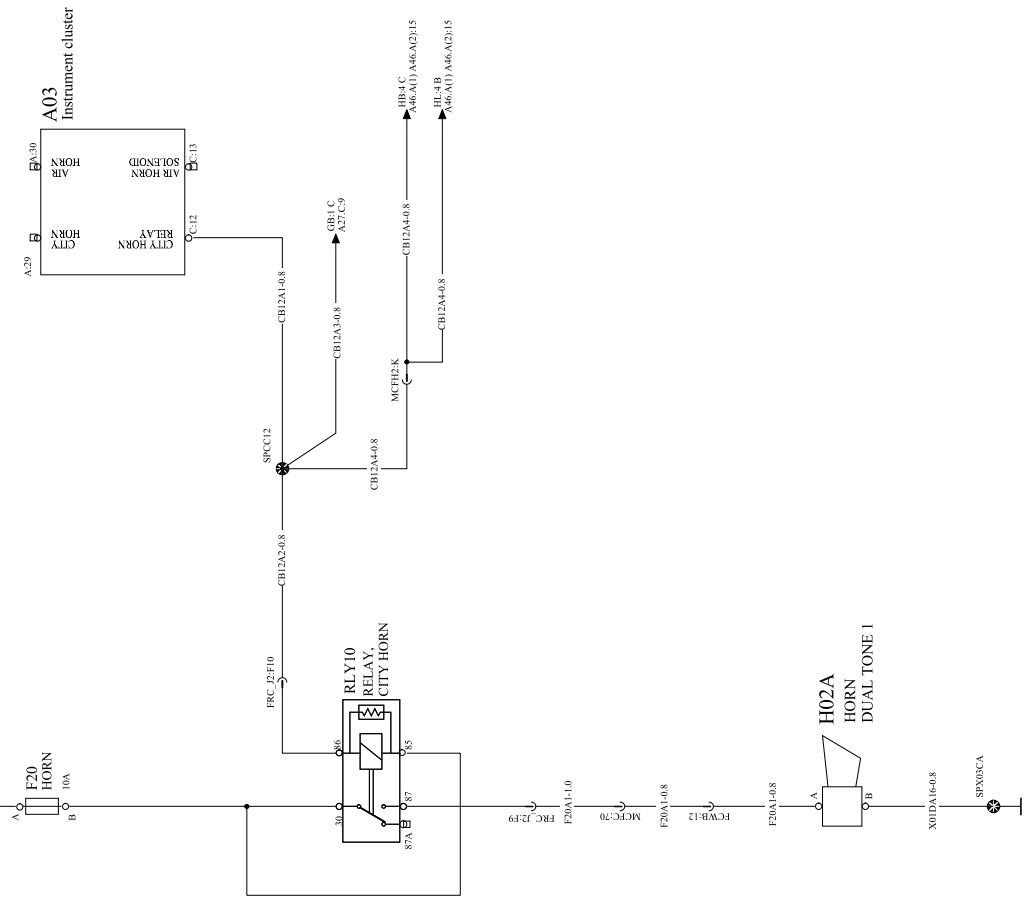
B

C

D

E

HORN
BATT



Document No	23970505	Issue	02	Volume	1 (1)	Page	59 (104)
-------------	----------	-------	----	--------	-------	------	----------

Document title	WIRING DIAGRAM, 12V MACK CONVENTIONAL
Document type	PRODUCT SCHEMATIC

Volvo Truck Corporation	1	2	3	4
-------------------------	---	---	---	---

A

B

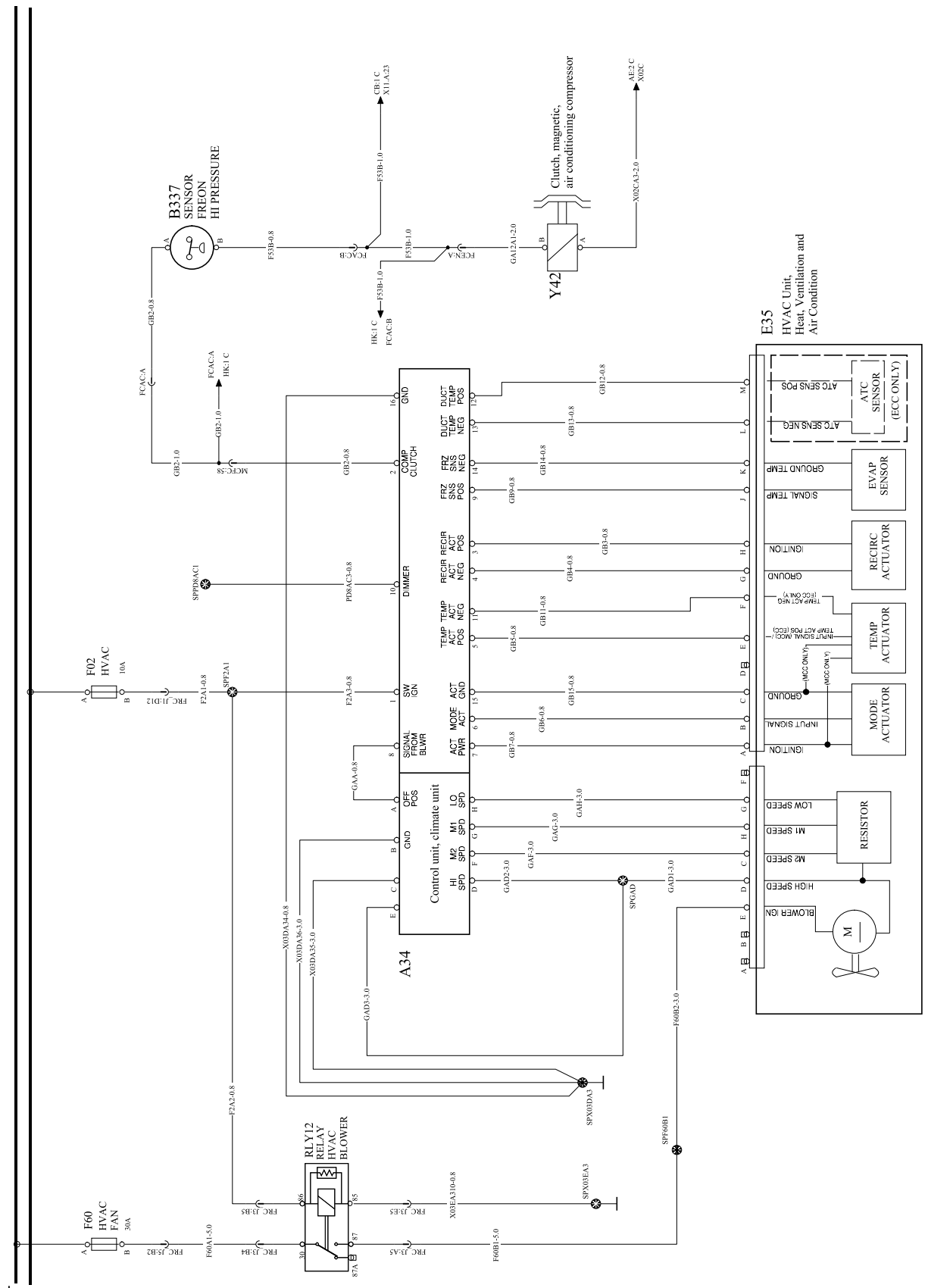
C

D

E

CLIMATE CONTROL

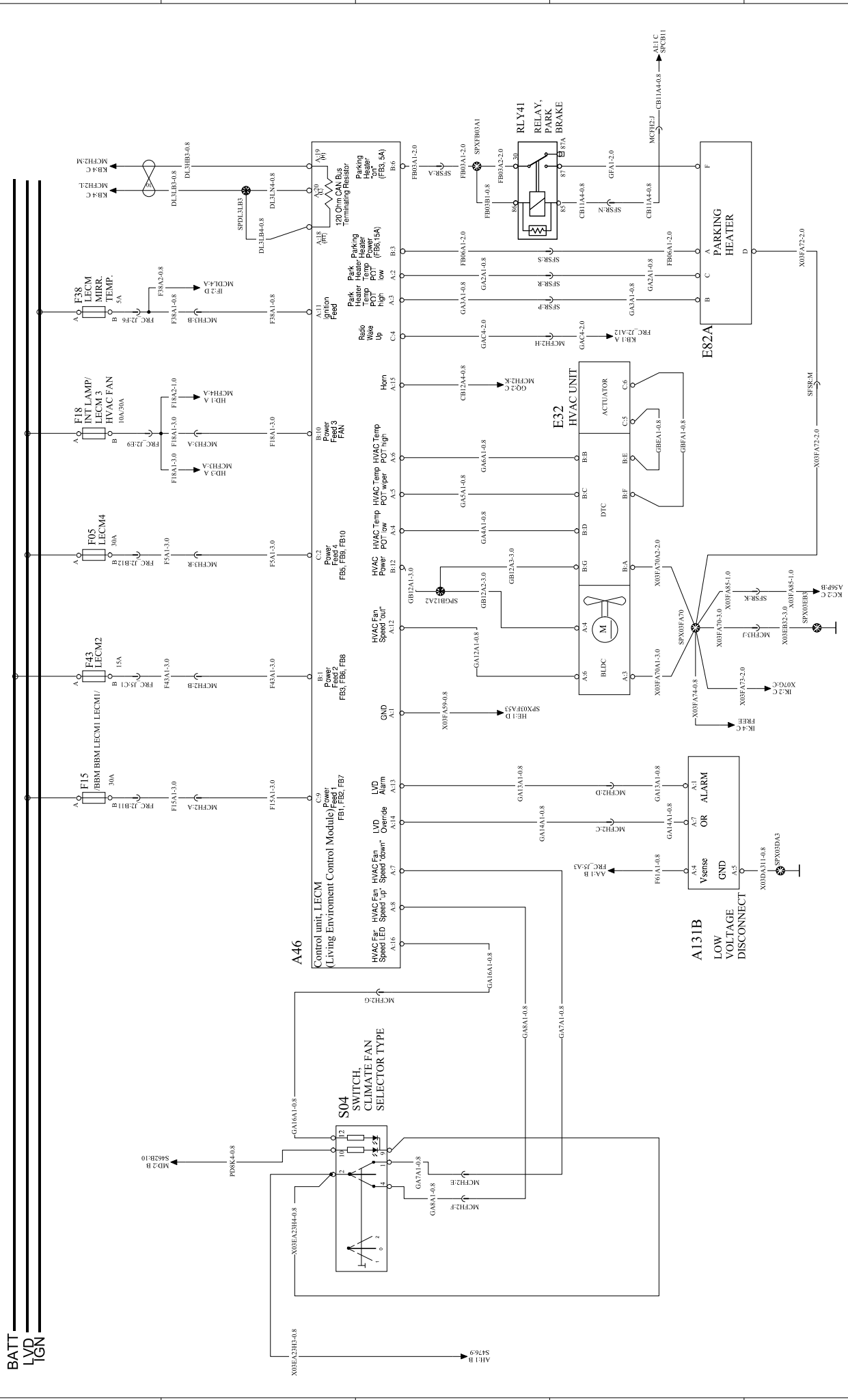
WIRING DIAGRAM: HA



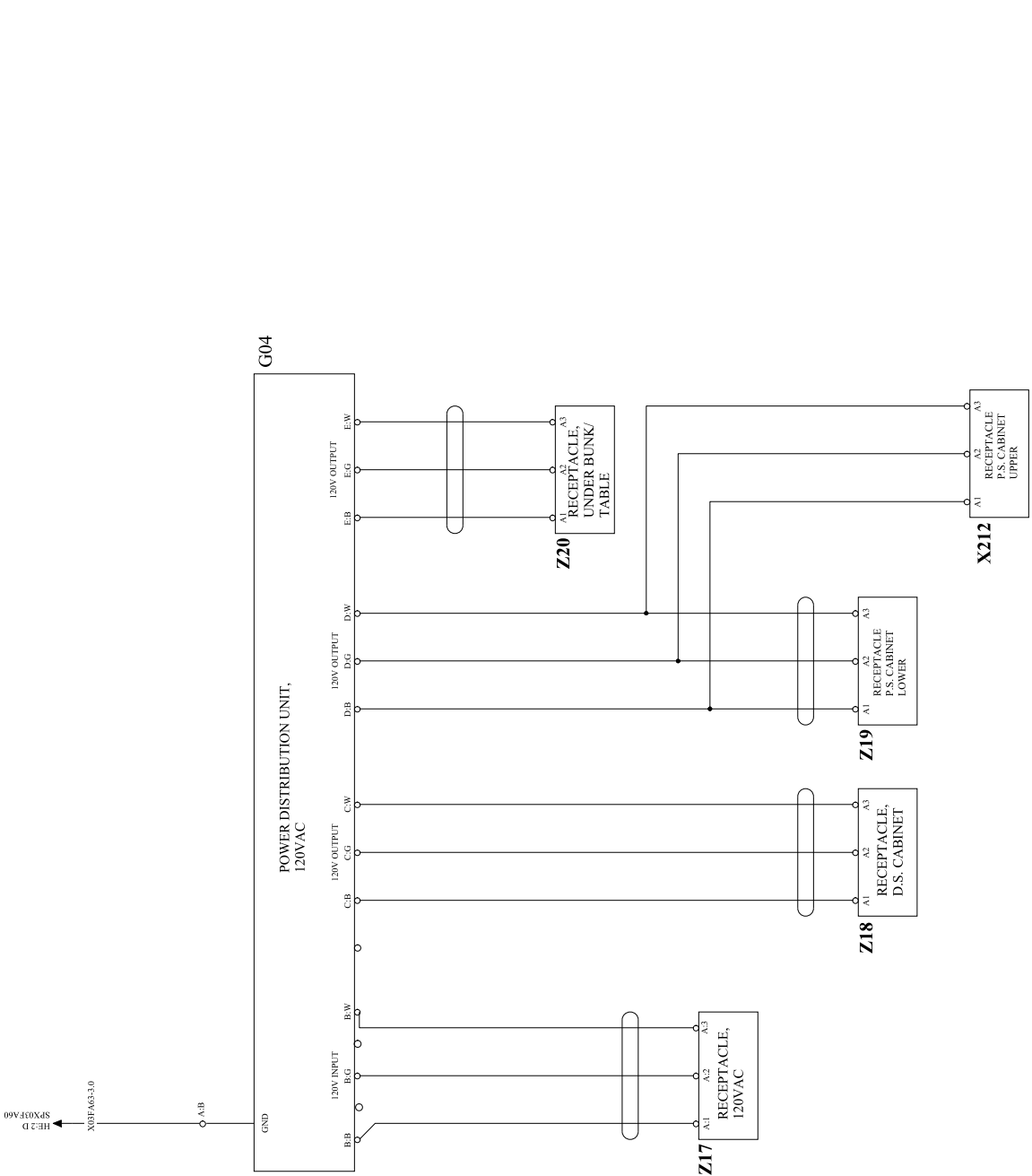
Document title		Document No		Issue	Volume	Page
WIRING DIAGRAM, 12V MACK CONVENTIONAL		23970505		02	1 (1) 60 (104)	
Document type						
PRODUCT SCHEMATIC						
Volvo Truck Corporation						

SLEEPER CLIMATE CONTROL W/LECM 70" SLEEPER

WIRING DIAGRAM: HB



Document title		Document No	Issue	Volume	Page
WIRING DIAGRAM, 12V MACK CONVENTIONAL		23970505	02	1 (1)	61 (104)
Document type		PRODUCT SCHEMATIC			
Volvo Truck Corporation					
0	1	2	3	4	



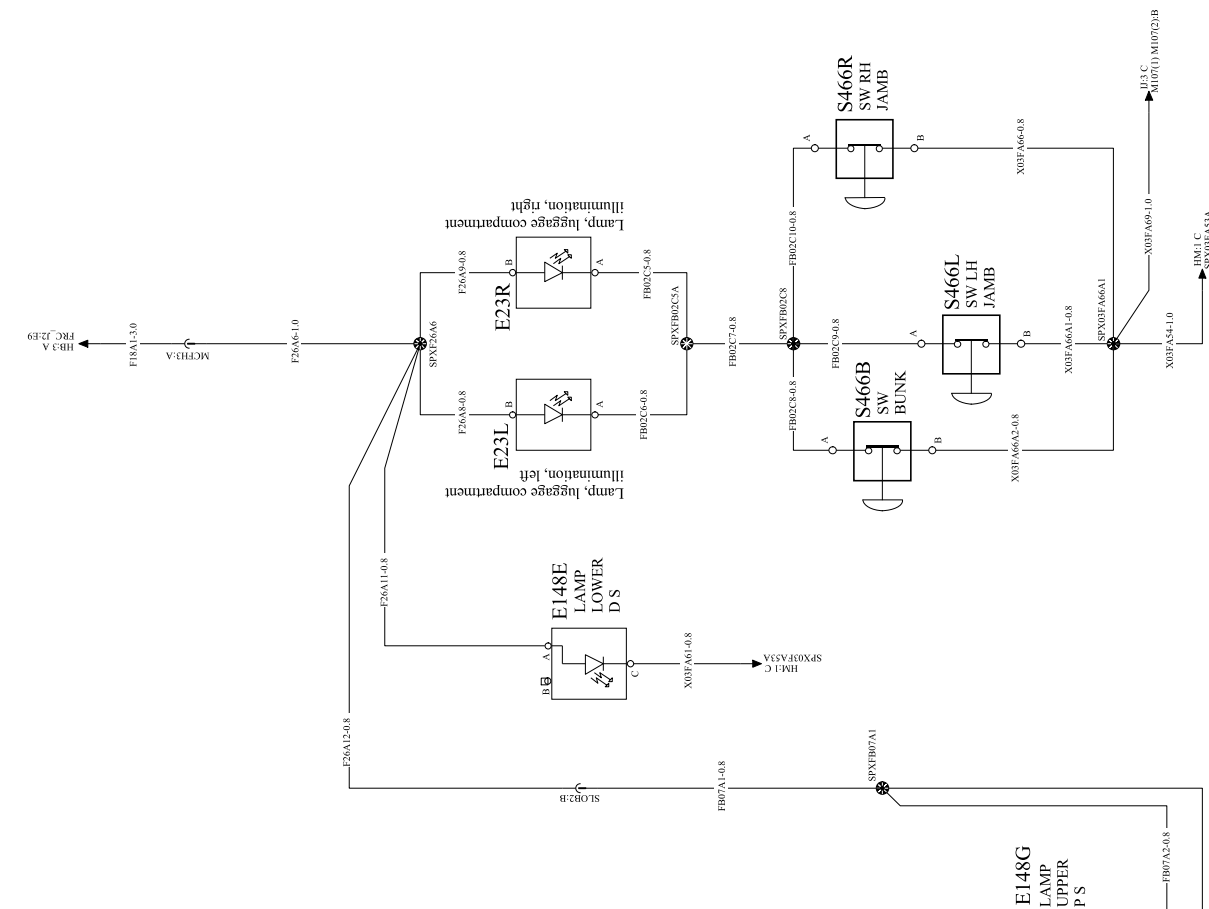
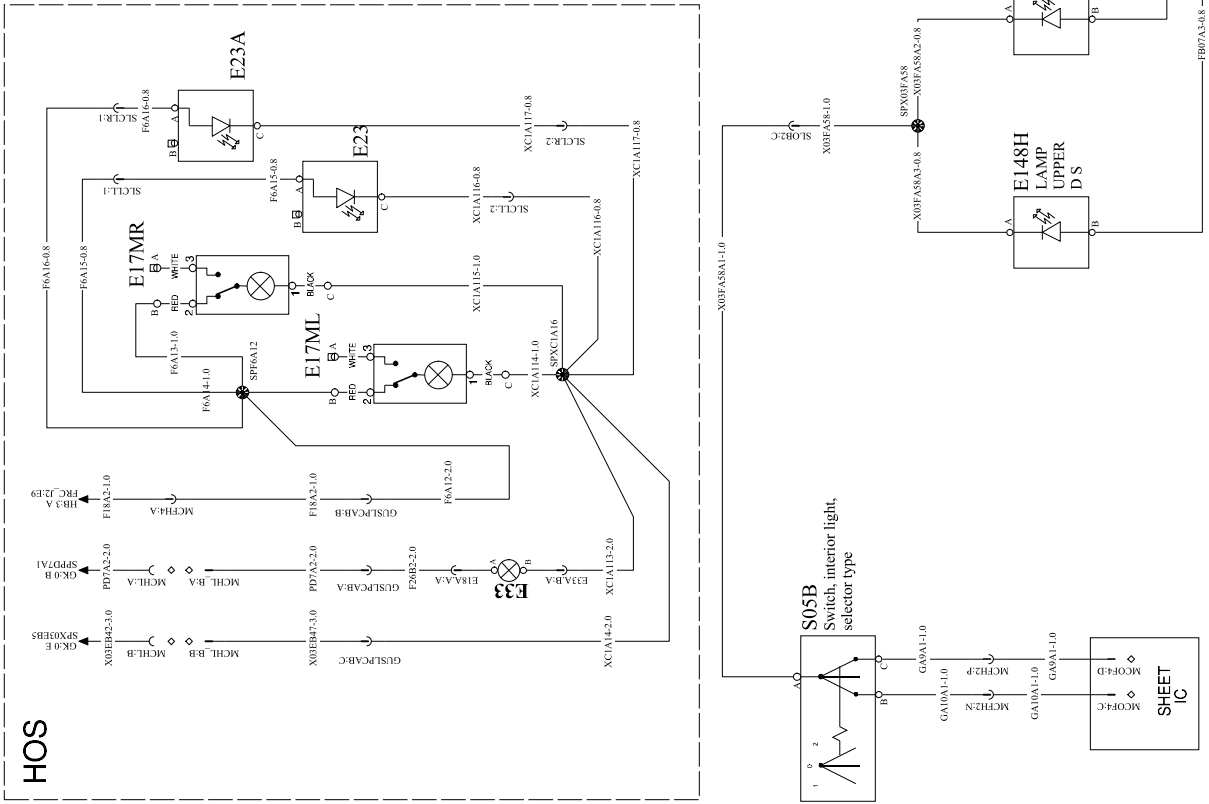
Document No	23970505	Issue	02	Volume	1 (1)	Page	62 (104)
-------------	----------	-------	----	--------	-------	------	----------

Document title	WIRING DIAGRAM, 12V MACK CONVENTIONAL
Document type	PRODUCT SCHEMATIC

Volvo Truck Corporation	0	1	2	3	4
-------------------------	---	---	---	---	---

SLEEPER FUNCTIONS W/O LECM 48 INCH BASIC

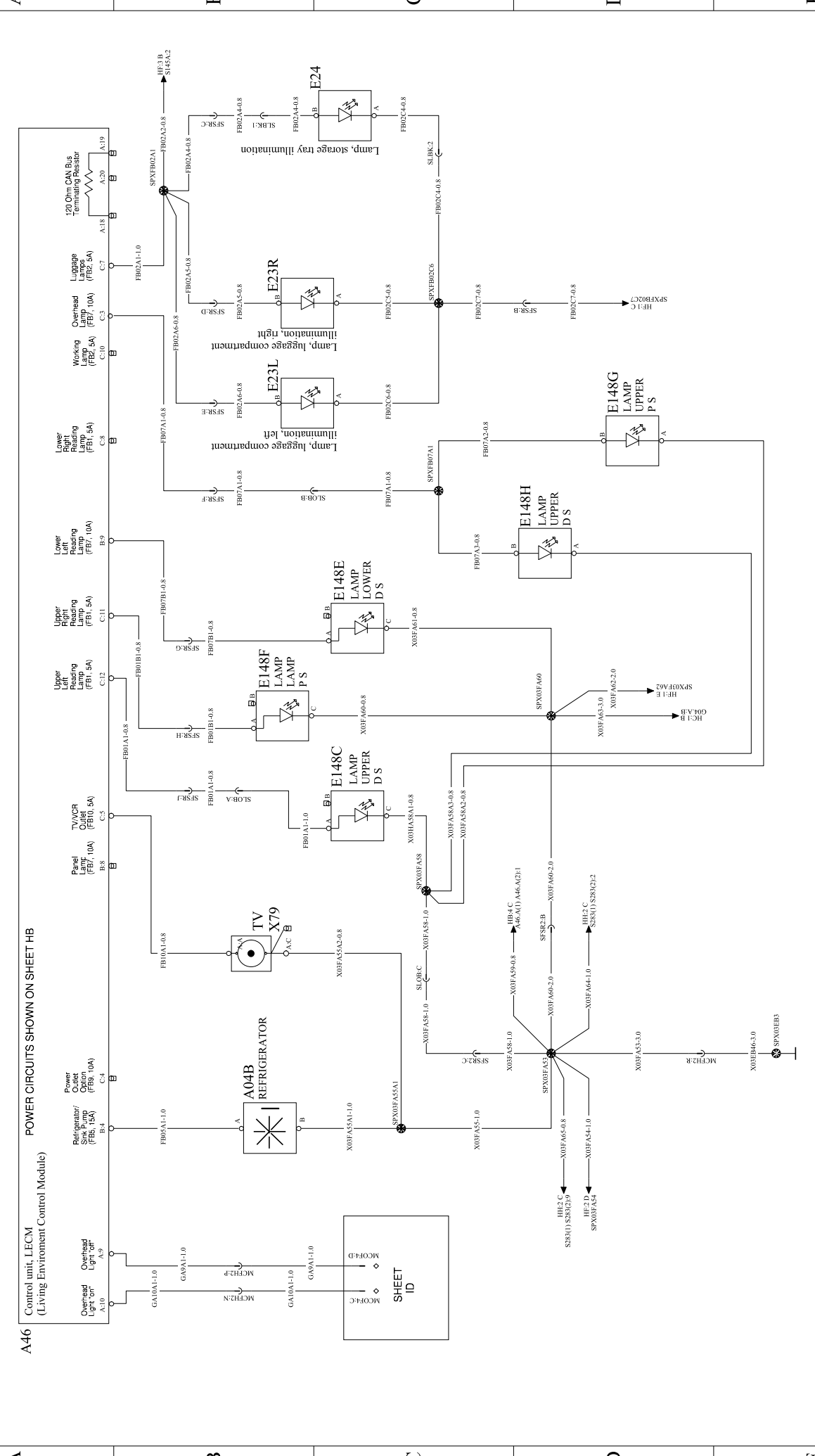
WIRING DIAGRAM: HD



Document title WIRING DIAGRAM, 12V MACK CONVENTIONAL		Document No 23970505	Issue 02	Volume 1 (1)	Page 63 (104)
Document type PRODUCT SCHEMATIC					
0	1	2	3	4	

LIGHTING AND POWER OUTLETS 70" SLEEPER

WIRING DIAGRAM: HE

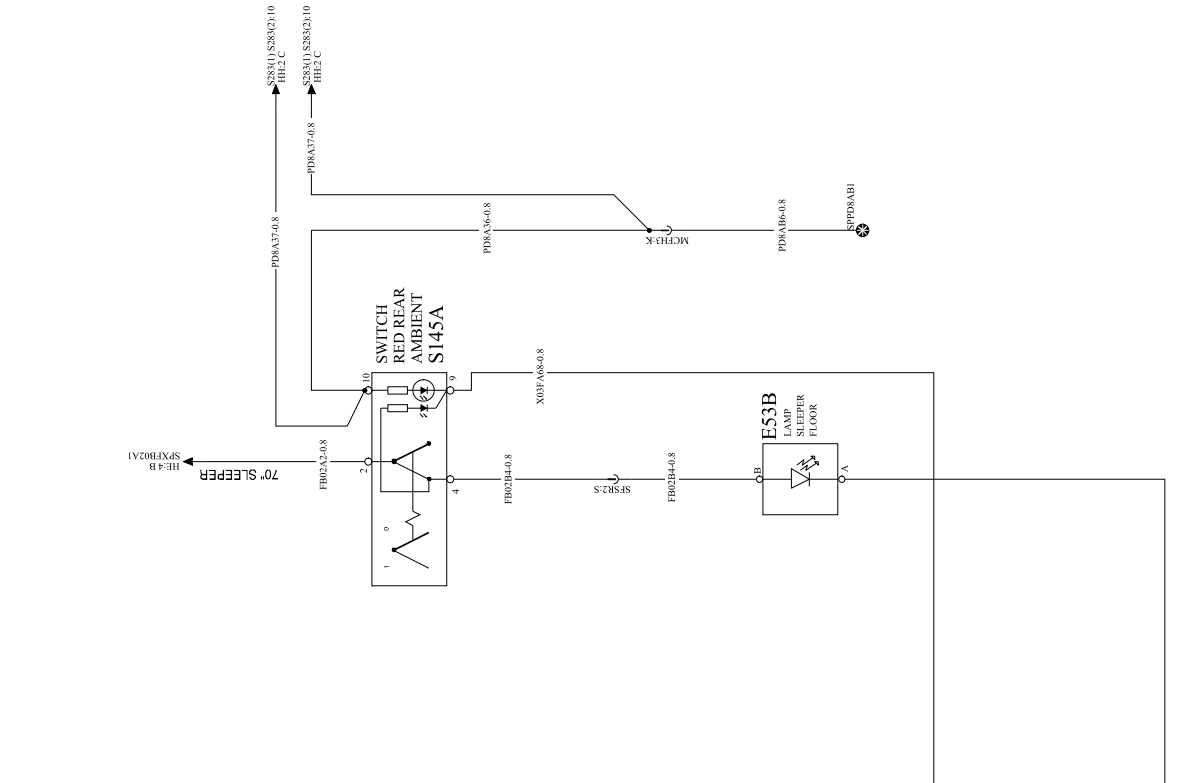
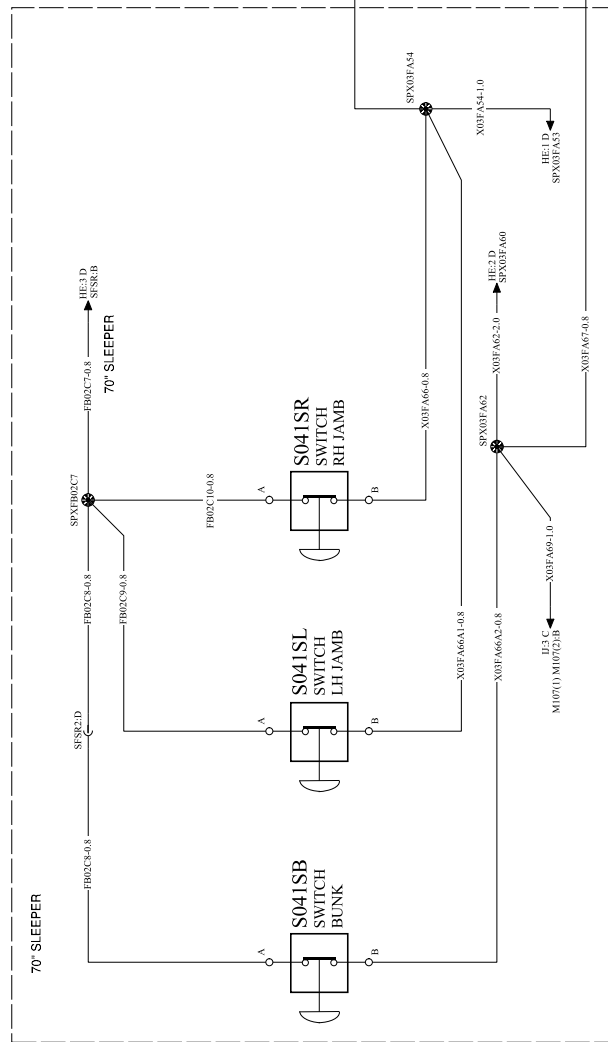
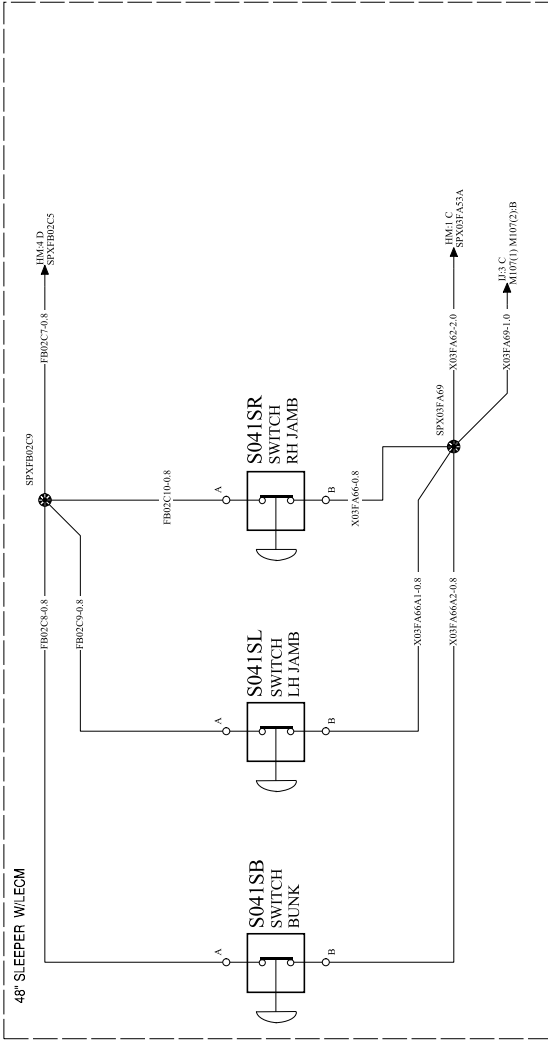


A46 Control unit, LFCM (Living Environment Control Module)		POWER CIRCUITS SHOWN ON SHEET HB	
Overhead Light on		SHEET ID	
MCH2:N		MCH2:D	
GABA1-1.0		GABA1-1.0	
MCH2:P		MCH2:P	
GABA1-1.0		GABA1-1.0	
Overhead Light off		Overhead Light off	
A1:0		A1:0	
A1:1		A1:1	
A1:2		A1:2	
A1:3		A1:3	
A1:4		A1:4	
A1:5		A1:5	
A1:6		A1:6	
A1:7		A1:7	
A1:8		A1:8	
A1:9		A1:9	
A1:10		A1:10	
A1:11		A1:11	
A1:12		A1:12	
A1:13		A1:13	
A1:14		A1:14	
A1:15		A1:15	
A1:16		A1:16	
A1:17		A1:17	
A1:18		A1:18	
A1:19		A1:19	
A1:20		A1:20	
A1:21		A1:21	
A1:22		A1:22	
A1:23		A1:23	
A1:24		A1:24	
A1:25		A1:25	
A1:26		A1:26	
A1:27		A1:27	
A1:28		A1:28	
A1:29		A1:29	
A1:30		A1:30	
A1:31		A1:31	
A1:32		A1:32	
A1:33		A1:33	
A1:34		A1:34	
A1:35		A1:35	
A1:36		A1:36	
A1:37		A1:37	
A1:38		A1:38	
A1:39		A1:39	
A1:40		A1:40	
A1:41		A1:41	
A1:42		A1:42	
A1:43		A1:43	
A1:44		A1:44	
A1:45		A1:45	
A1:46		A1:46	
A1:47		A1:47	
A1:48		A1:48	
A1:49		A1:49	
A1:50		A1:50	
A1:51		A1:51	
A1:52		A1:52	
A1:53		A1:53	
A1:54		A1:54	
A1:55		A1:55	
A1:56		A1:56	
A1:57		A1:57	
A1:58		A1:58	
A1:59		A1:59	
A1:60		A1:60	
A1:61		A1:61	
A1:62		A1:62	
A1:63		A1:63	
A1:64		A1:64	
A1:65		A1:65	
A1:66		A1:66	
A1:67		A1:67	
A1:68		A1:68	
A1:69		A1:69	
A1:70		A1:70	
A1:71		A1:71	
A1:72		A1:72	
A1:73		A1:73	
A1:74		A1:74	
A1:75		A1:75	
A1:76		A1:76	
A1:77		A1:77	
A1:78		A1:78	
A1:79		A1:79	
A1:80		A1:80	
A1:81		A1:81	
A1:82		A1:82	
A1:83		A1:83	
A1:84		A1:84	
A1:85		A1:85	
A1:86		A1:86	
A1:87		A1:87	
A1:88		A1:88	
A1:89		A1:89	
A1:90		A1:90	
A1:91		A1:91	
A1:92		A1:92	
A1:93		A1:93	
A1:94		A1:94	
A1:95		A1:95	
A1:96		A1:96	
A1:97		A1:97	
A1:98		A1:98	
A1:99		A1:99	
A1:100		A1:100	

Document title		Document No	
WIRING DIAGRAM, 12V MACK CONVENTIONAL		23970505	
Document type		Issue	
PRODUCT SCHEMATIC		02	
Volume		Page	
1 (1)		64 (104)	

SLEEPER COURTESY AND UNDER BUNK

WIRING DIAGRAM : HF



A B C D E

Document title WIRING DIAGRAM, 12V MACK CONVENTIONAL		Document No 23970505	Issue 02	Volume 1 (1)	Page 65 (104)
Document type PRODUCT SCHEMATIC					
Volvo Truck Corporation					
0	1	2	3	4	

SLEEPER PIPE LIGHTING SWITCH

WIRING DIAGRAM: HH

A

A

B

B

C

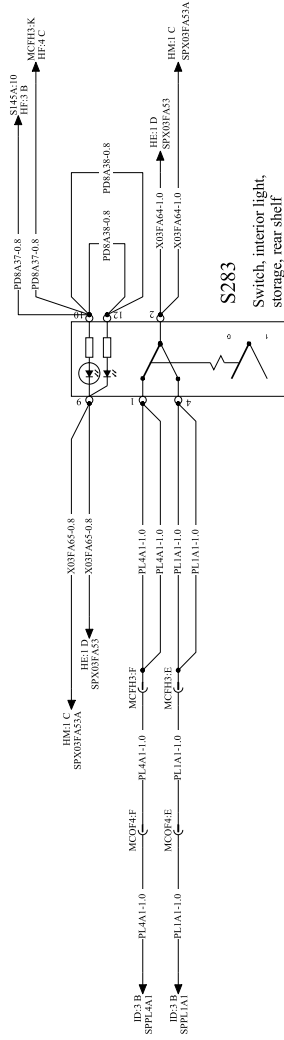
C

D

D

E

E



S283
Switch, interior light,
storage, rear shelf

Volvo Truck Corporation

Document title
WIRING DIAGRAM, 12V MACK CONVENTIONAL
Document type
PRODUCT SCHEMATIC

Document No
23970505

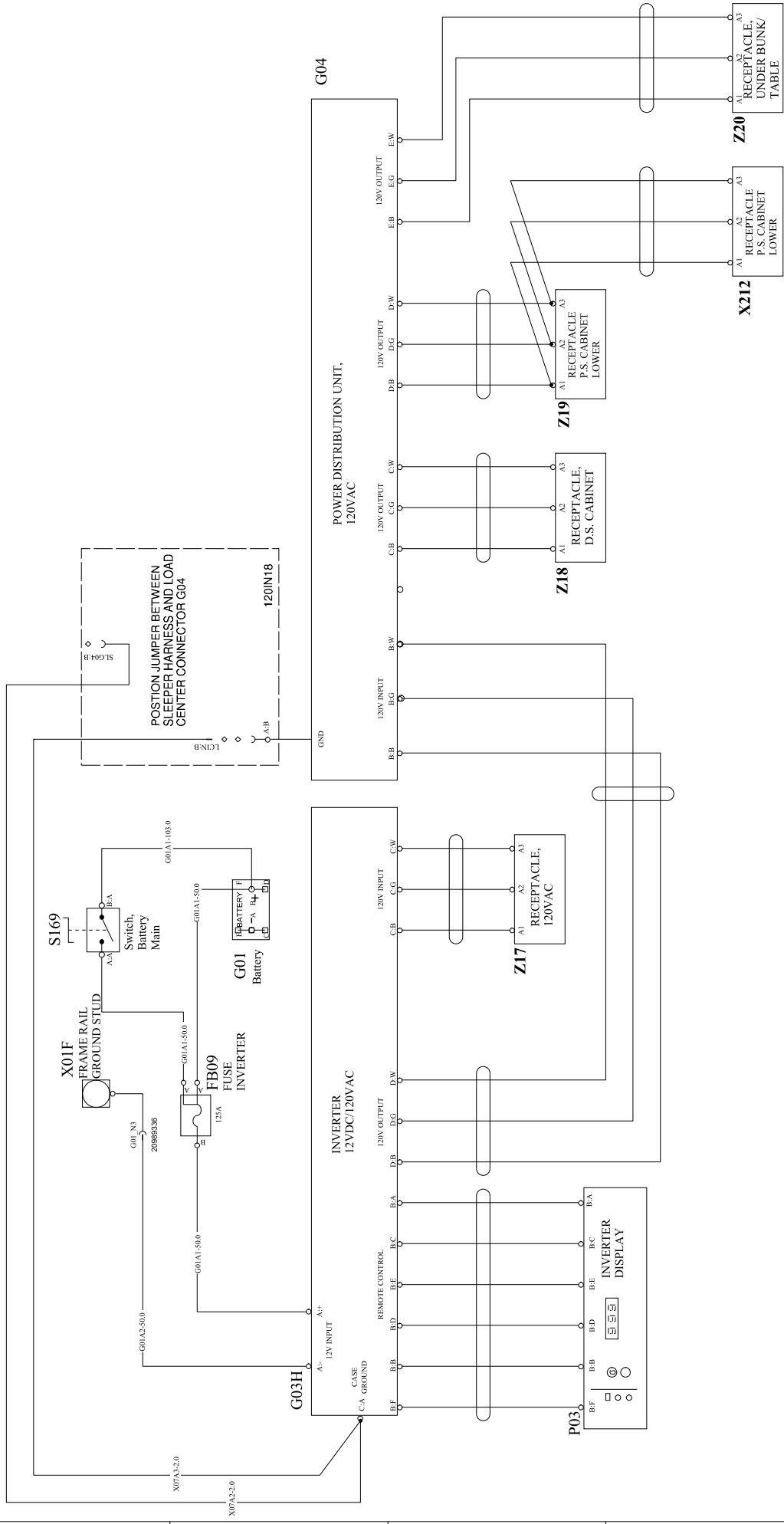
Issue
02

Volume
1 (1)

Page
66 (104)

SHORE POWER W/INVERTER

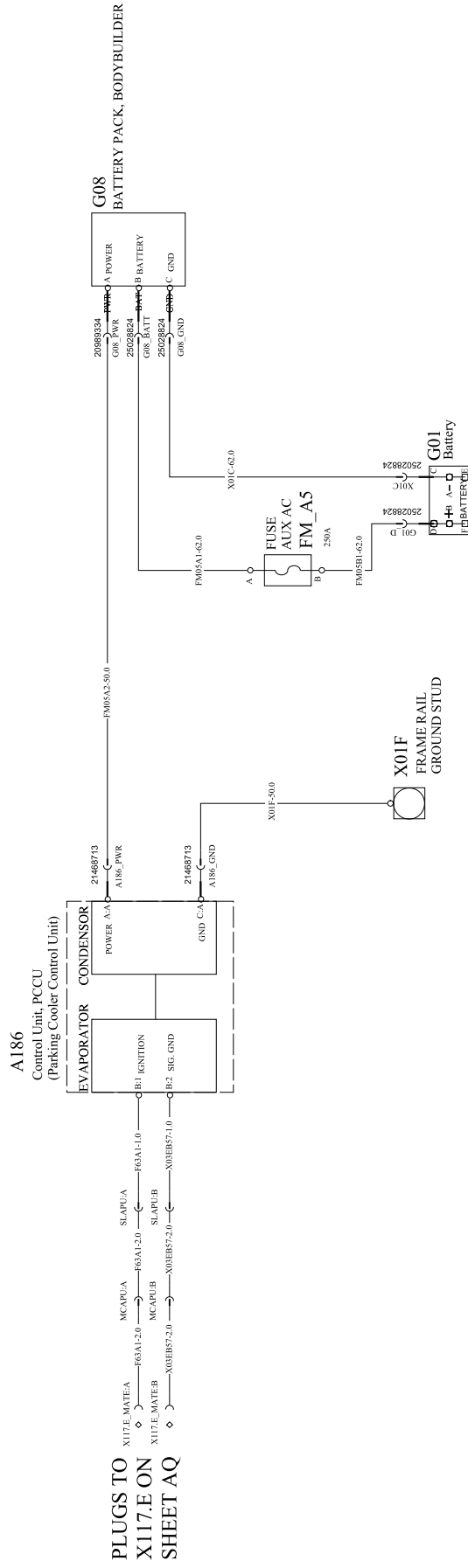
WIRING DIAGRAM: HI



Document title WIRING DIAGRAM, 12V MACK CONVENTIONAL	Document No	Issue	Volume	Page
	23970505	02	1 (1) 67 (104)	
Document type PRODUCT SCHEMATIC				
Volvo Truck Corporation				

AUXILIARY 12V PARK COOLING SYSTEM

WIRING DIAGRAM: HJ

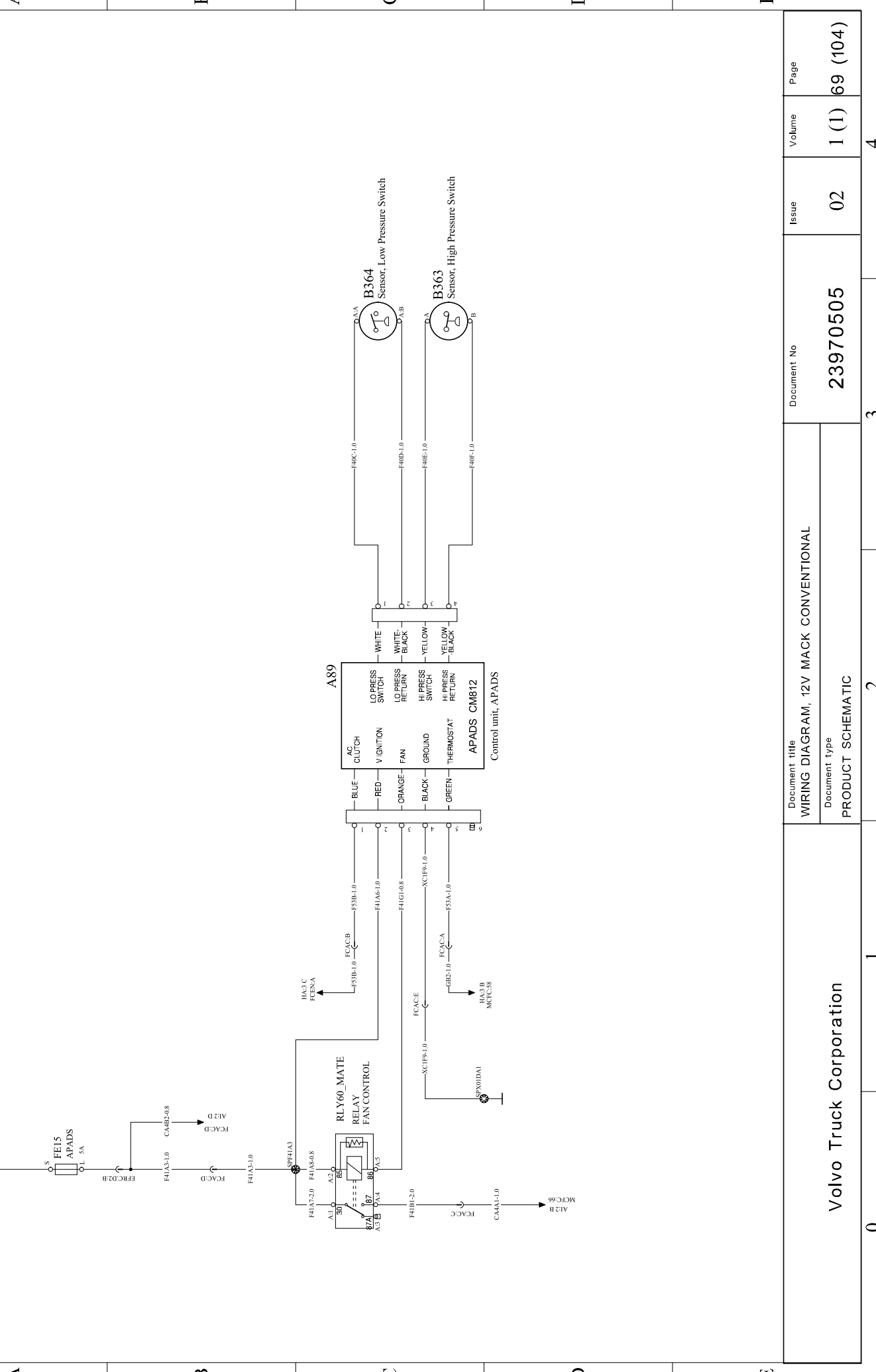


Volvo Truck Corporation		Document title WIRING DIAGRAM, 12V MACK CONVENTIONAL		Document No 23970505	Issue 02	Volume 1 (1)	Page 68 (104)
		Document type PRODUCT SCHEMATIC				4	
						3	
						2	
						1	
						0	

WIRING DIAGRAM: HK

APADS

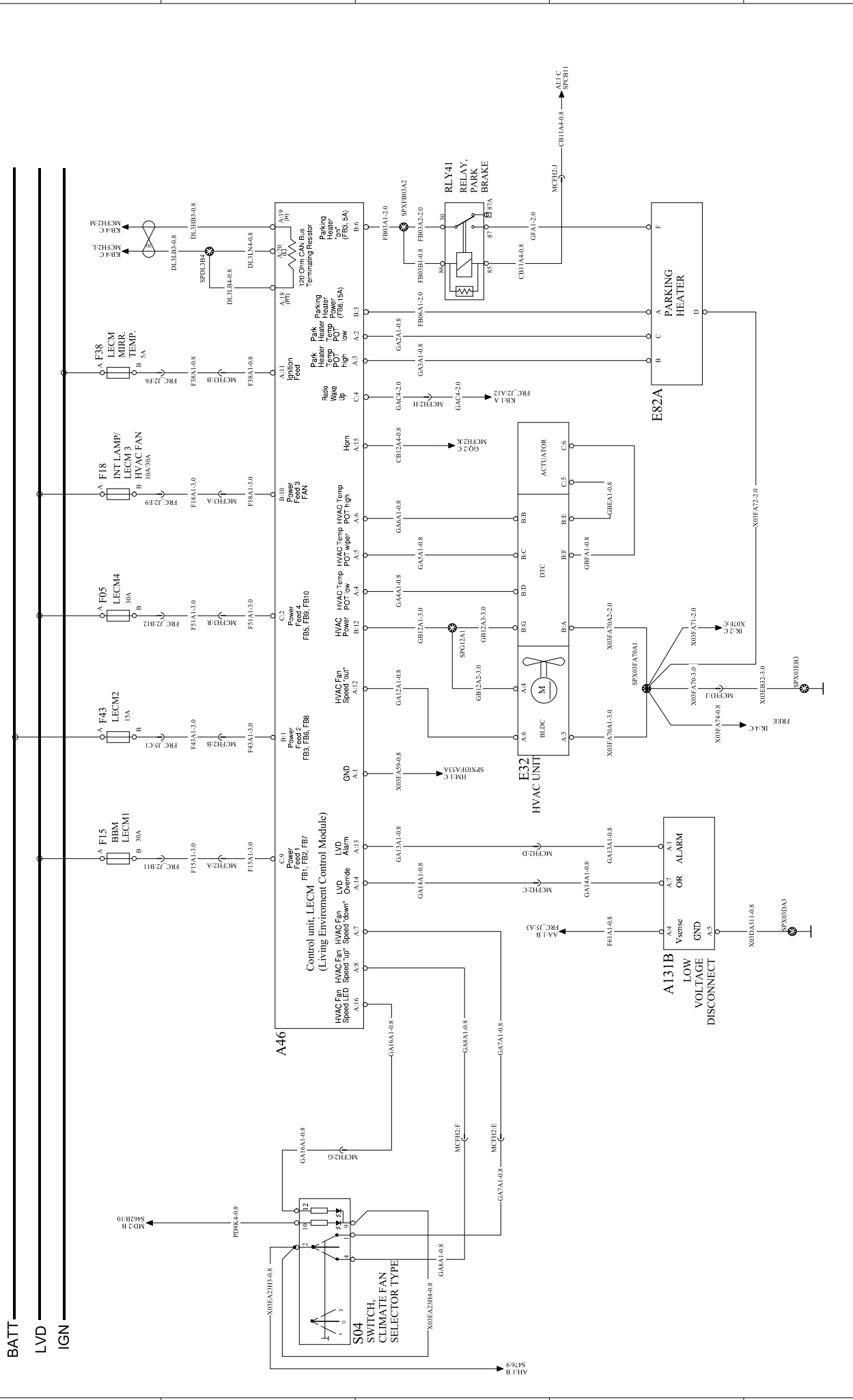
IGN+-----



Document title WIRING DIAGRAM, 12V MACK CONVENTIONAL		Document No 23970505	Issue 02	Volume 1 (1)	Page 69 (104)
Document type PRODUCT SCHEMATIC					
Volvo Truck Corporation		1		2	
0		1		4	

SLEEPER CLIMATE CONTROL W/LECM 48" SLEEPER

WIRING DIAGRAM: HL

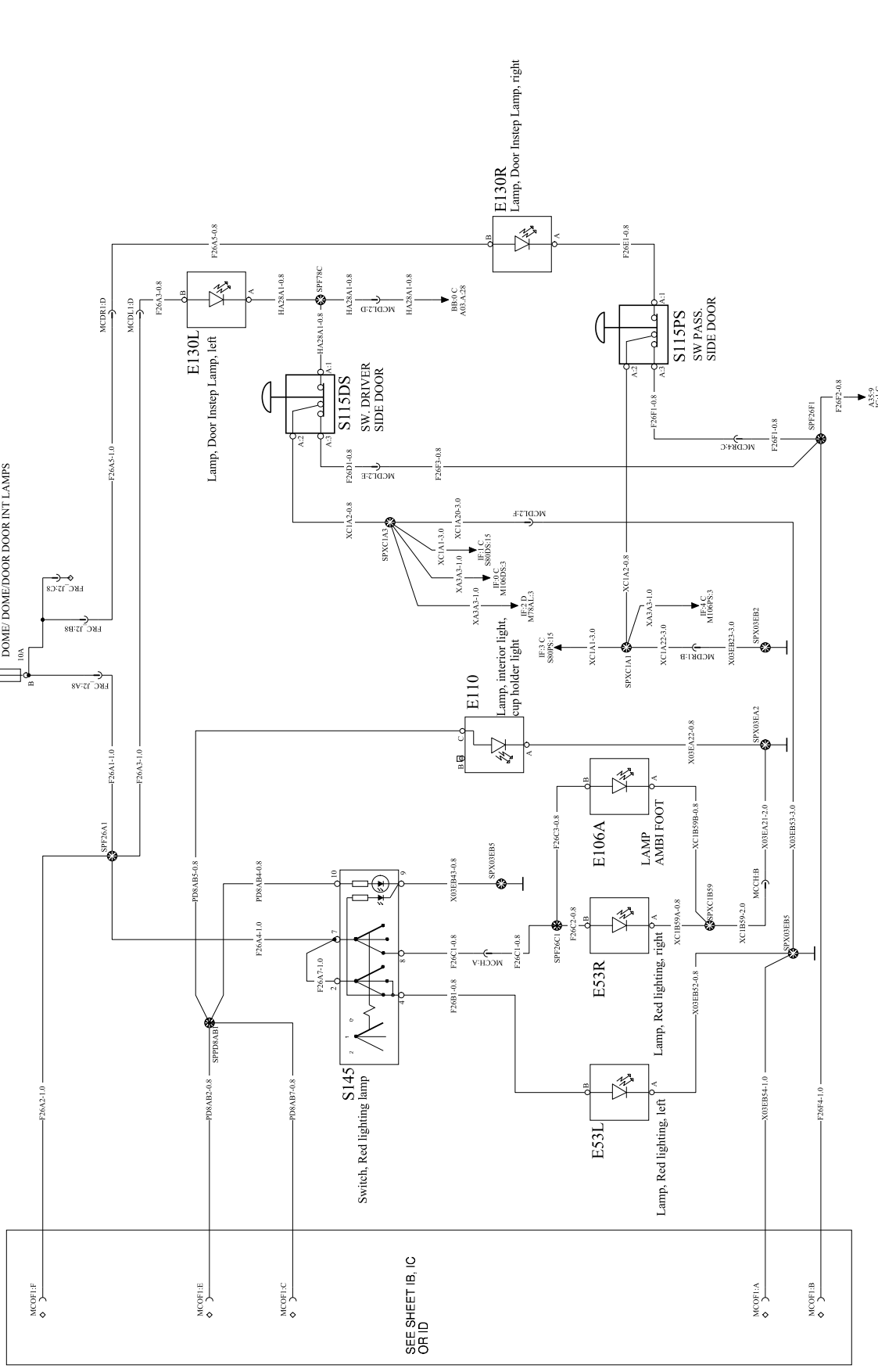


Document title WIRING DIAGRAM, 12V MACK CONVENTIONAL		Document No 23970505	Issue 02	Volume 1 (1)	Page 70 (104)
Document type PRODUCT SCHEMATIC					
Volvo Truck Corporation					

COURTESY LIGHTS - DRIVING COMPARTMENT

WIRING DIAGRAM: IA

LVD



Document title WIRING DIAGRAM, 12V MACK CONVENTIONAL		Document No 23970505	Issue 02	Volume 1 (1)	Page 72 (104)
Document type PRODUCT SCHEMATIC				3	4
Volvo Truck Corporation				1	0

COURTESY LIGHTS - DAYCAB AND HOS SLEEPER

WIRING DIAGRAM: IB

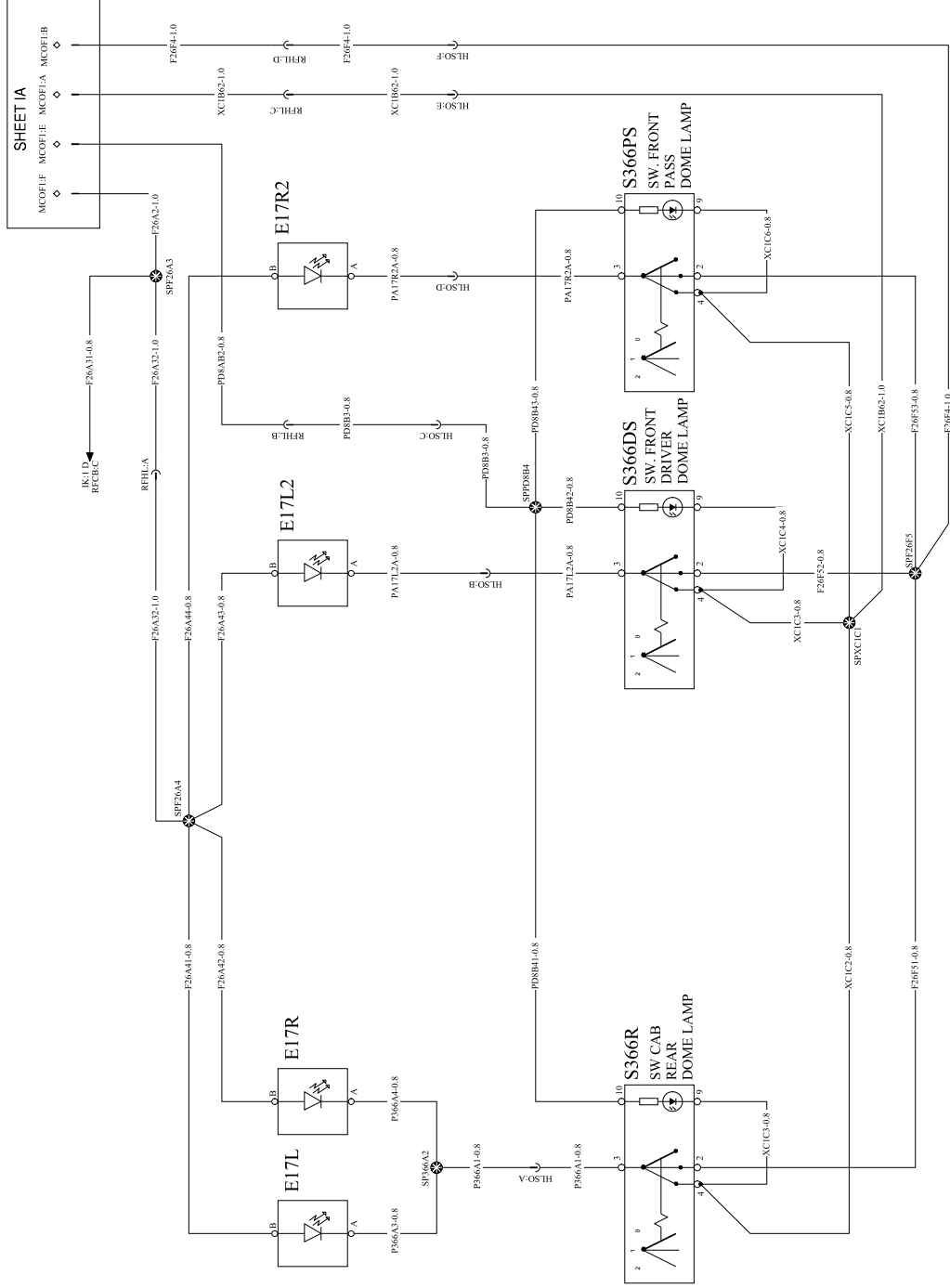
A A

B B

C C

D D

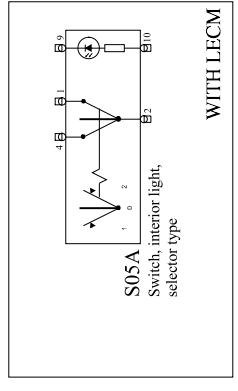
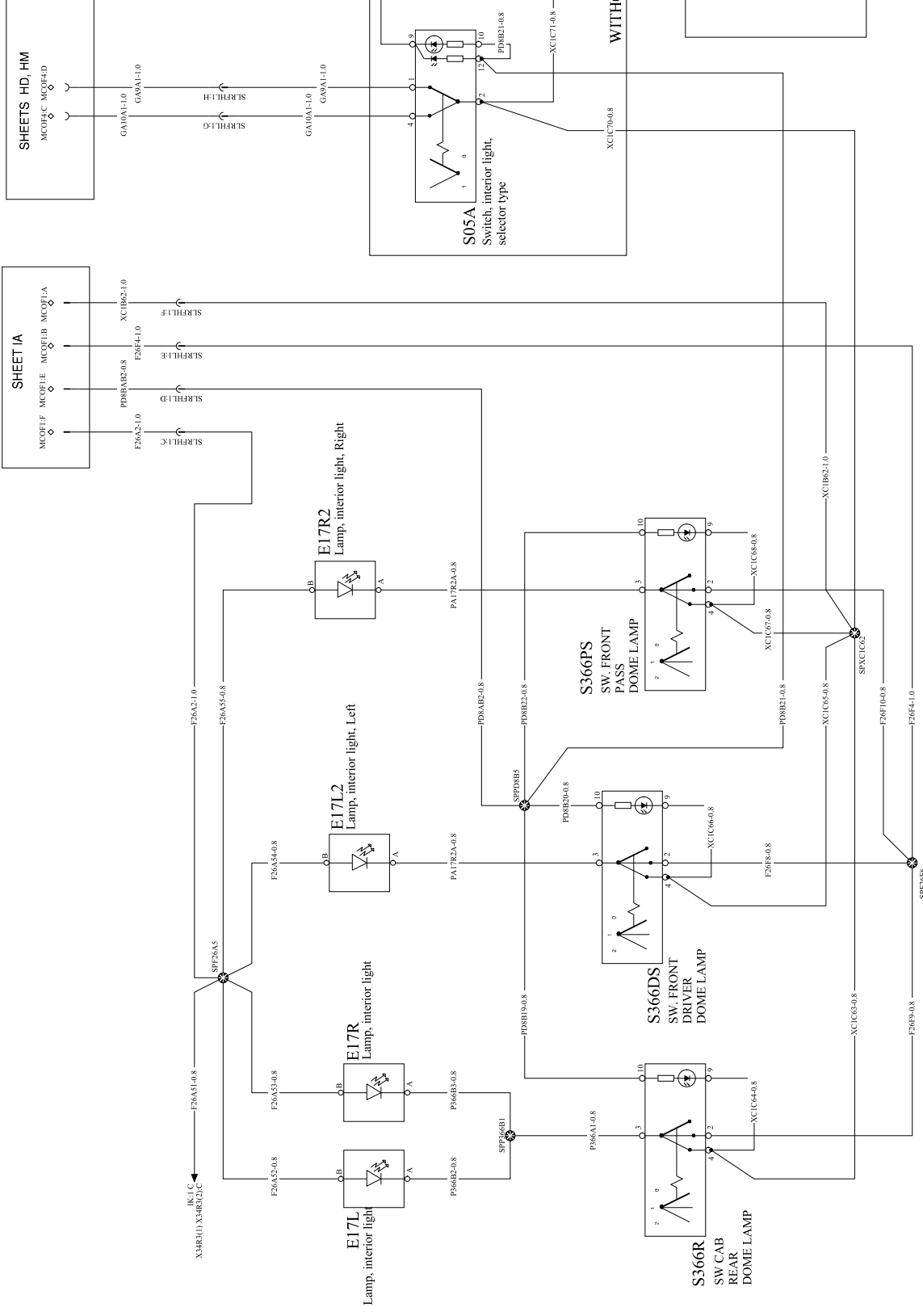
E E



Document No		23970505	
Document title	WIRING DIAGRAM, 12V MACK CONVENTIONAL		
Document type	PRODUCT SCHEMATIC		
Issue	02	Volume	1 (1) 73 (104)
Page	4		

COURTESY LIGHTS - 48" SLEEPER

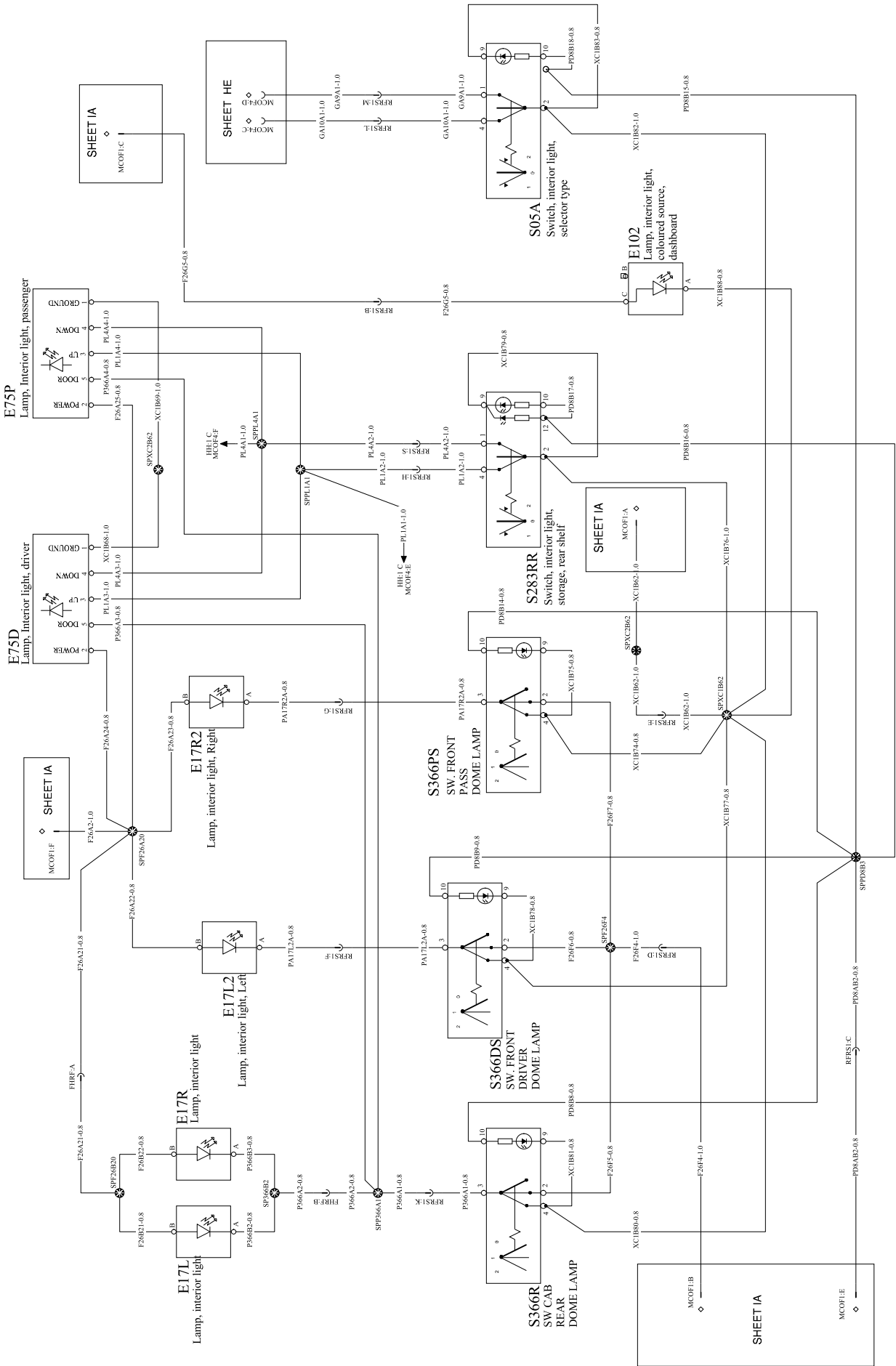
WIRING DIAGRAM: IC



Document title WIRING DIAGRAM, 12V MACK CONVENTIONAL		Document No 23970505	Issue 02	Volume 1 (1)	Page 74 (104)
Document type PRODUCT SCHEMATIC					
Volvo Truck Corporation					

COURTESY LIGHTS - 70" SLEEPER

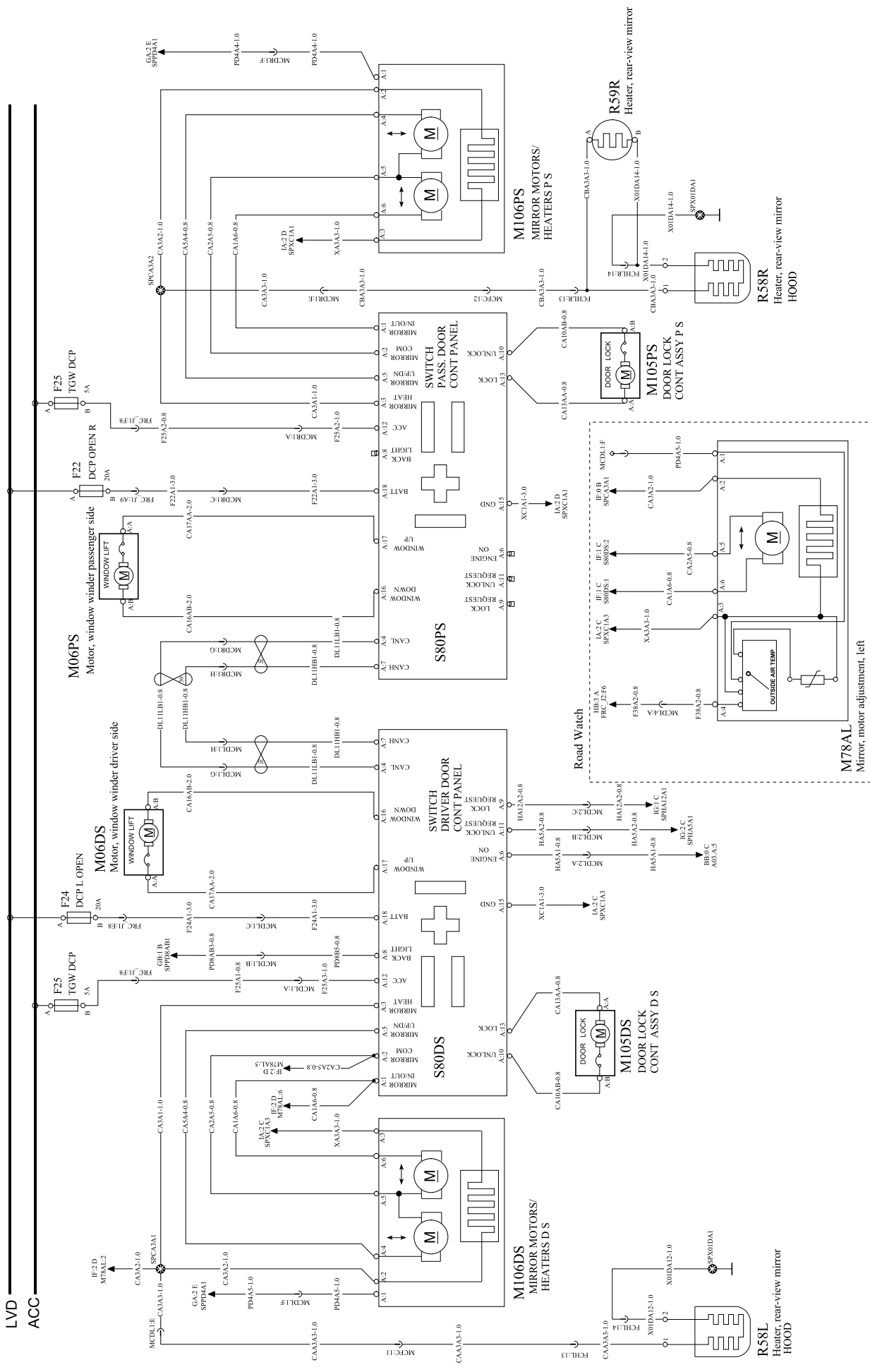
WIRING DIAGRAM: ID



Document title WIRING DIAGRAM, 12V MACK CONVENTIONAL		Document No 23970505	Issue 02	Volume 1 (1)	Page 75 (104)
Document type PRODUCT SCHEMATIC					
Volvo Truck Corporation					

POWER WINDOWS/MIRRORS/LOCKS

WIRING DIAGRAM: IF

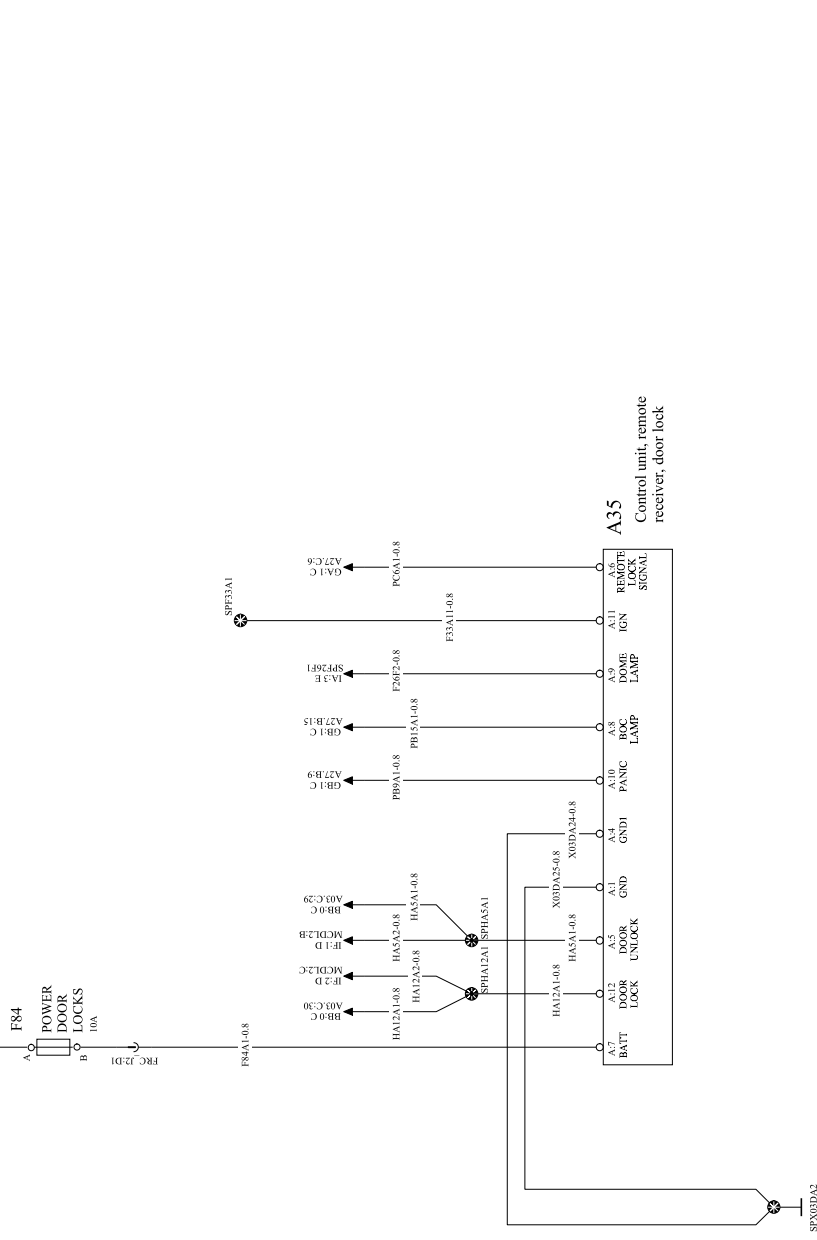


Document title WIRING DIAGRAM, 12V MACK CONVENTIONAL		Document No 23970505	Issue 02	Volume 1 (1)	Page 76 (104)
Document type PRODUCT SCHEMATIC				4	

REMOTE DOOR LOCKING

WIRING DIAGRAM: IG

BATT

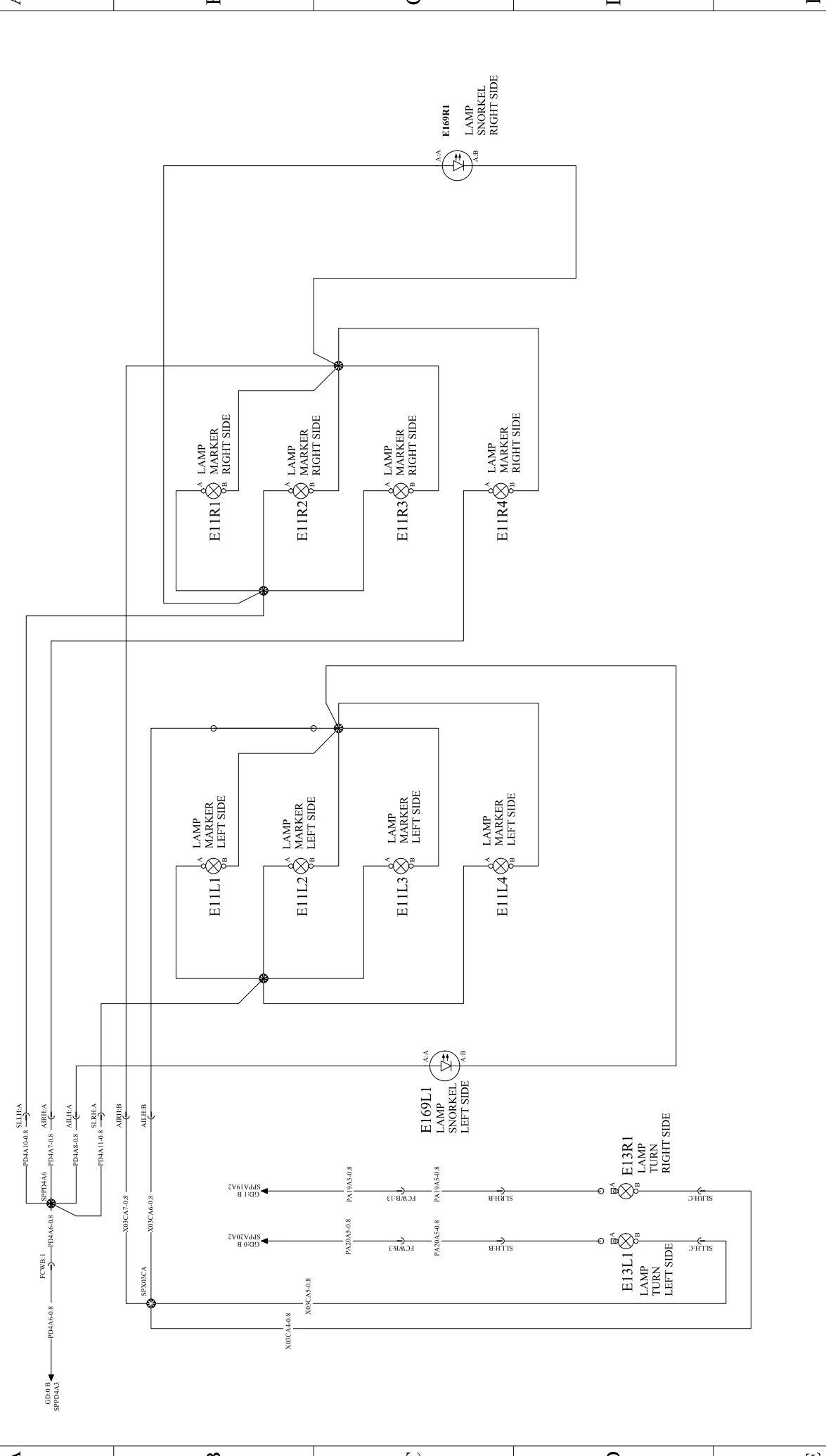


Document title		Document No	Volume	Page
WIRING DIAGRAM, 12V MACK CONVENTIONAL		23970505	1 (1)	77 (104)
Document type				
PRODUCT SCHEMATIC				

Document title		Document No	Volume	Page
WIRING DIAGRAM, 12V MACK CONVENTIONAL		23970505	1 (1)	77 (104)
Document type				
PRODUCT SCHEMATIC				

BRIGHTWORK

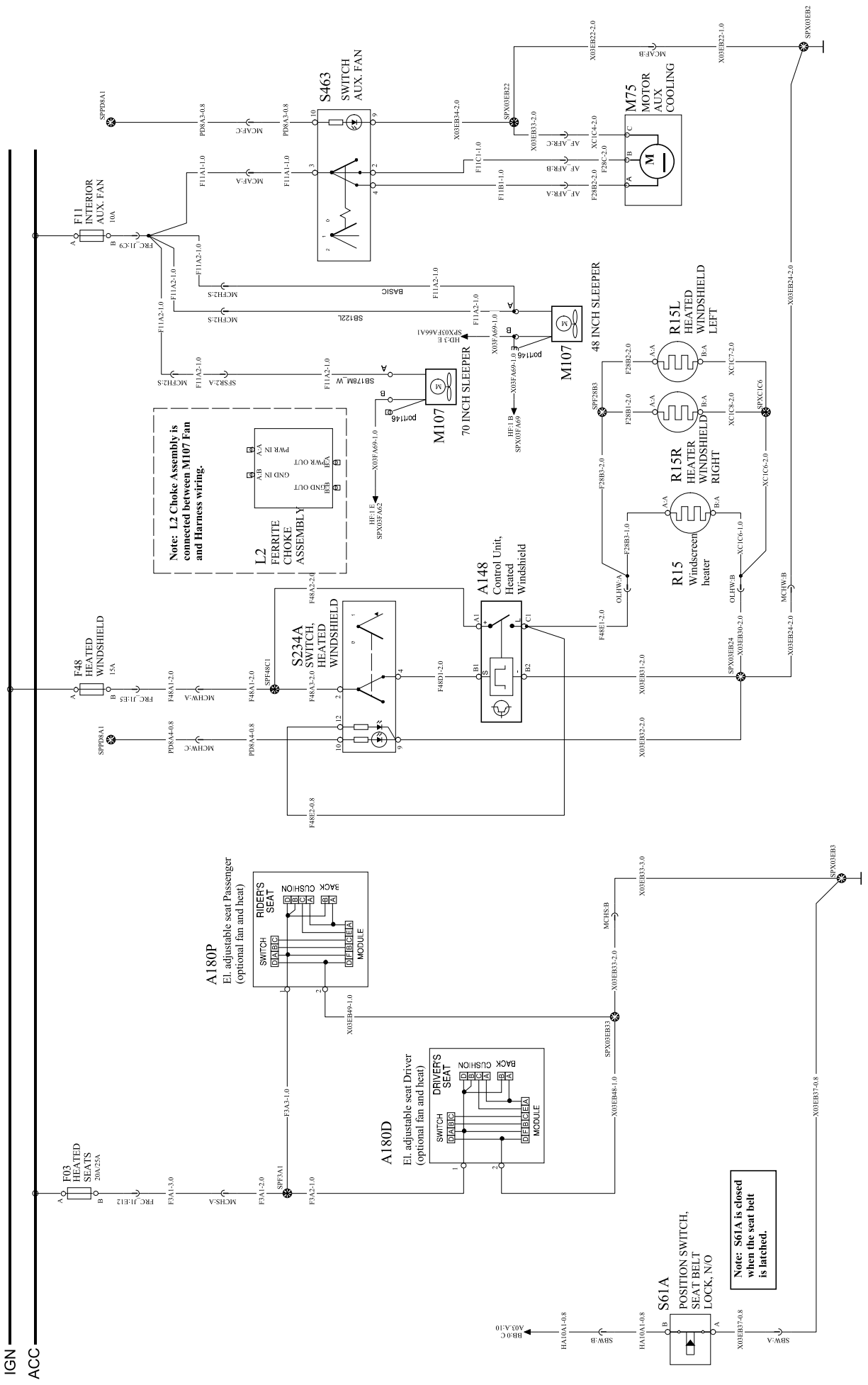
WIRING DIAGRAM: IH



Document title		Document No		Issue	Volume	Page
WIRING DIAGRAM, 12V MACK CONVENTIONAL		23970505		02	1 (1)	78 (104)
Document type						
PRODUCT SCHEMATIC						
Volvo Truck Corporation						
0	1	2	3	4		

HEATED SEATS/SEATBELT REMINDER/HEATED WINDSHIELD

WIRING DIAGRAM: IJ

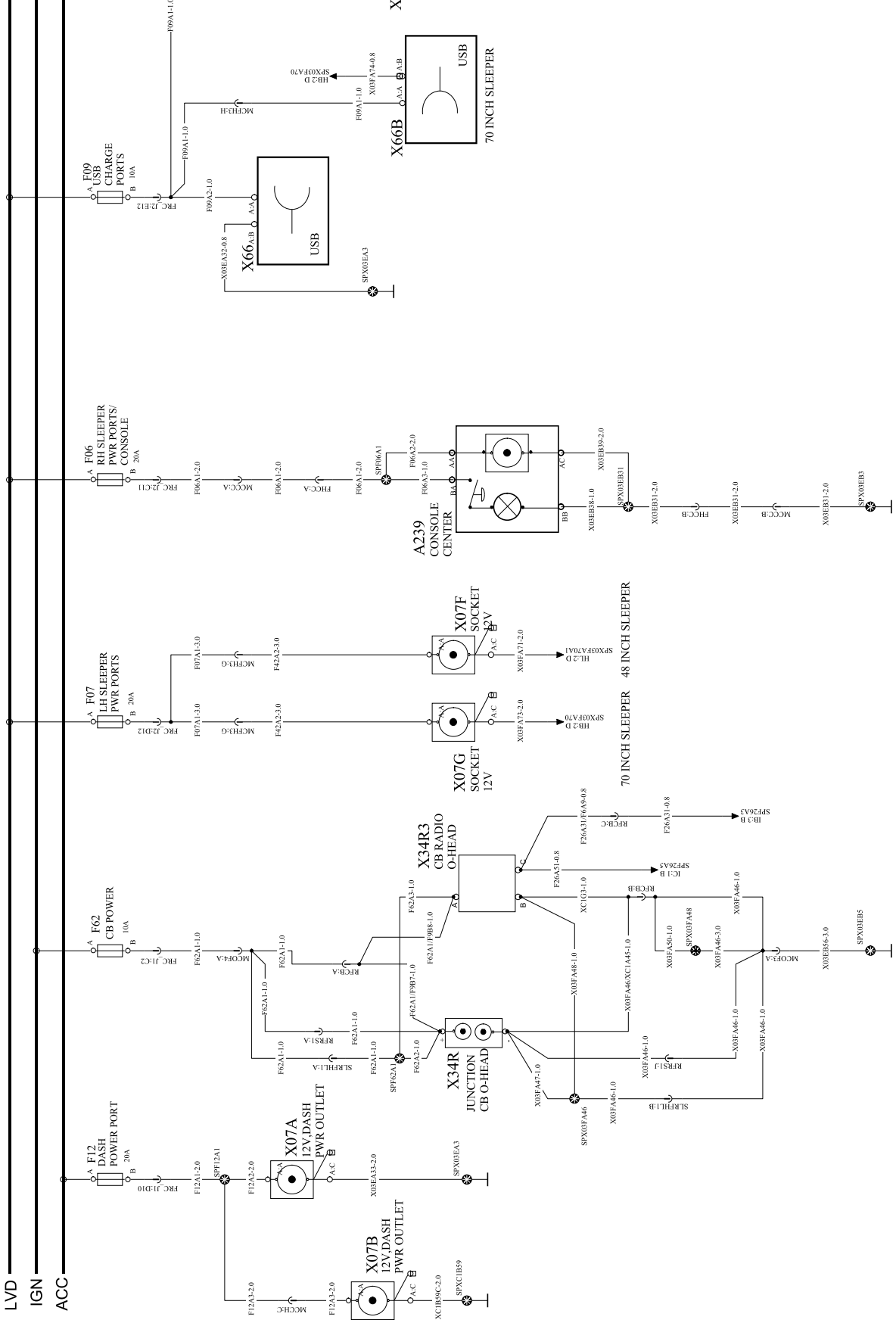


Document title		Document No		Page	
WIRING DIAGRAM, 12V MACK CONVENTIONAL		23970505		1 (1) 79 (104)	
Document type		Issue		Volume	
PRODUCT SCHEMATIC		02		1 (1) 79 (104)	
0		1		4	

0 1 2 3 4

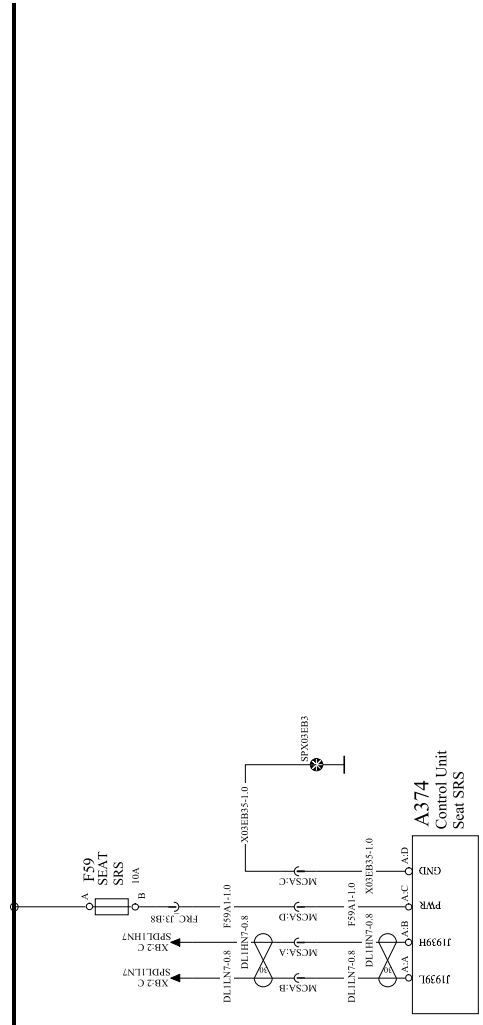
CIGAR LIGHTER / AUX POWER

WIRING DIAGRAM: IK

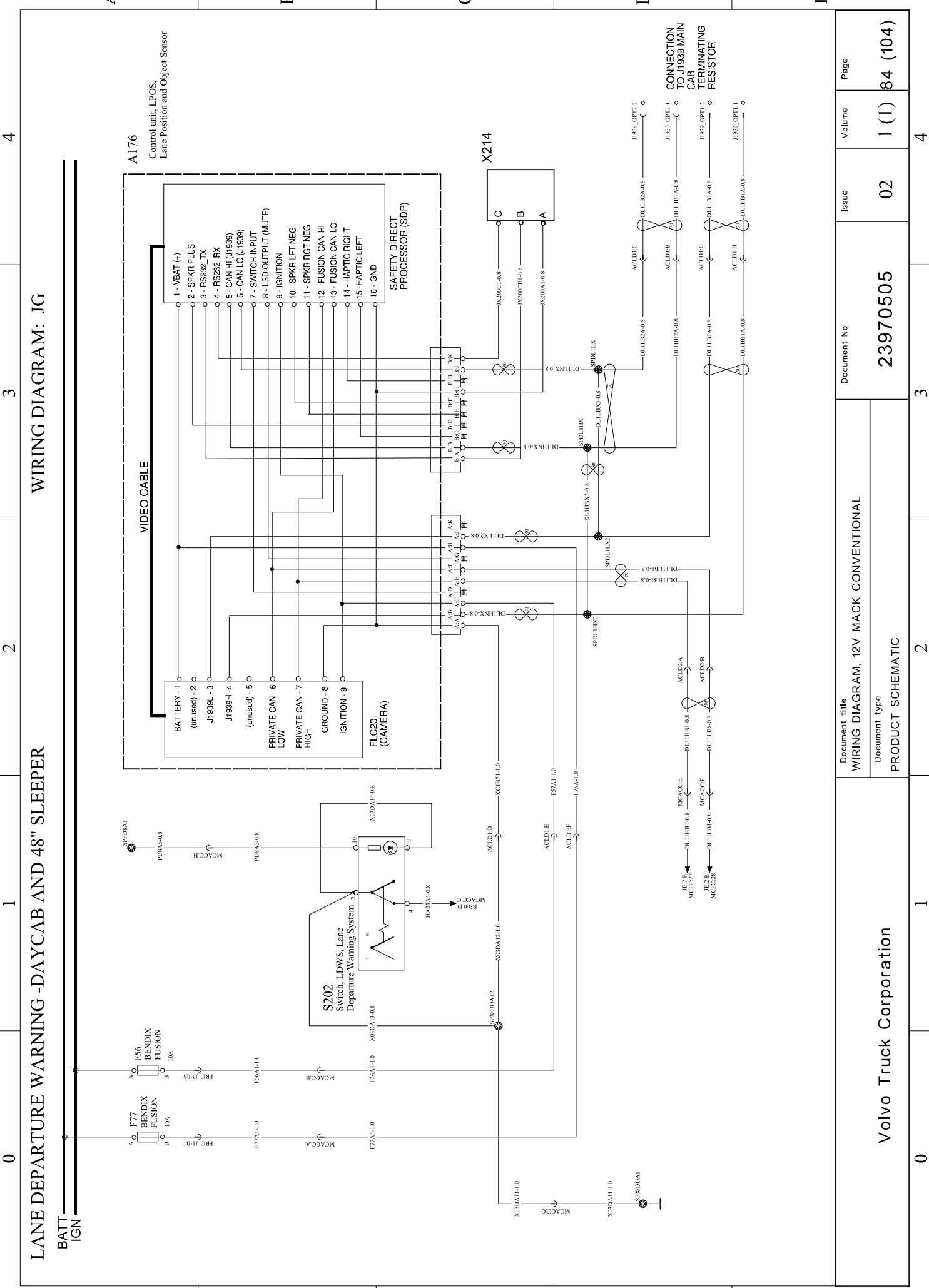


Document title WIRING DIAGRAM, 12V MACK CONVENTIONAL	Document No 23970505	Issue	Volume	Page
		02	1 (1)	80 (104)
Document type PRODUCT SCHEMATIC		4		

SEAT SRS WIRING DIAGRAM: JA



Volvo Truck Corporation	Document title		Document No	Issue	Volume	Page
	WIRING DIAGRAM, 12V MACK CONVENTIONAL		23970505	02	1 (1)	81 (104)
	Document type					
	PRODUCT SCHEMATIC					



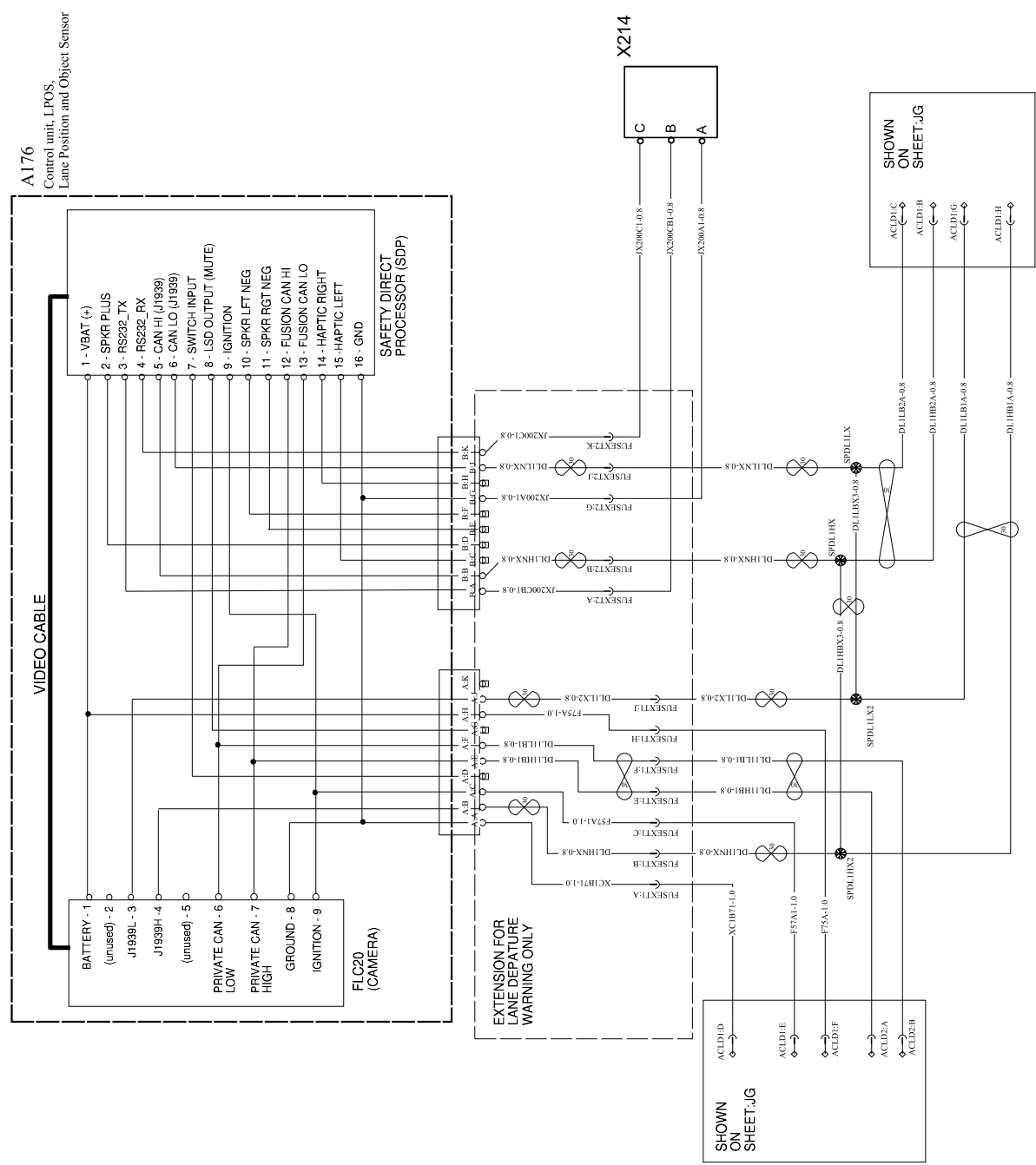
LANE DEPARTURE WARNING - DAYCAB AND 48" SLEEPER

WIRING DIAGRAM: JG

0	1	2	3	4
A	B	C	D	E
<p>Document title WIRING DIAGRAM, 12V MACK CONVENTIONAL</p> <p>Document type PRODUCT SCHEMATIC</p>				
<p>Document No 23970505</p>			Issue 02	Page 84 (104)
<p>Volvo Truck Corporation</p>		Volume 1 (1)	4	

LANE DEPARTURE WARNING - 70" SLEEPER

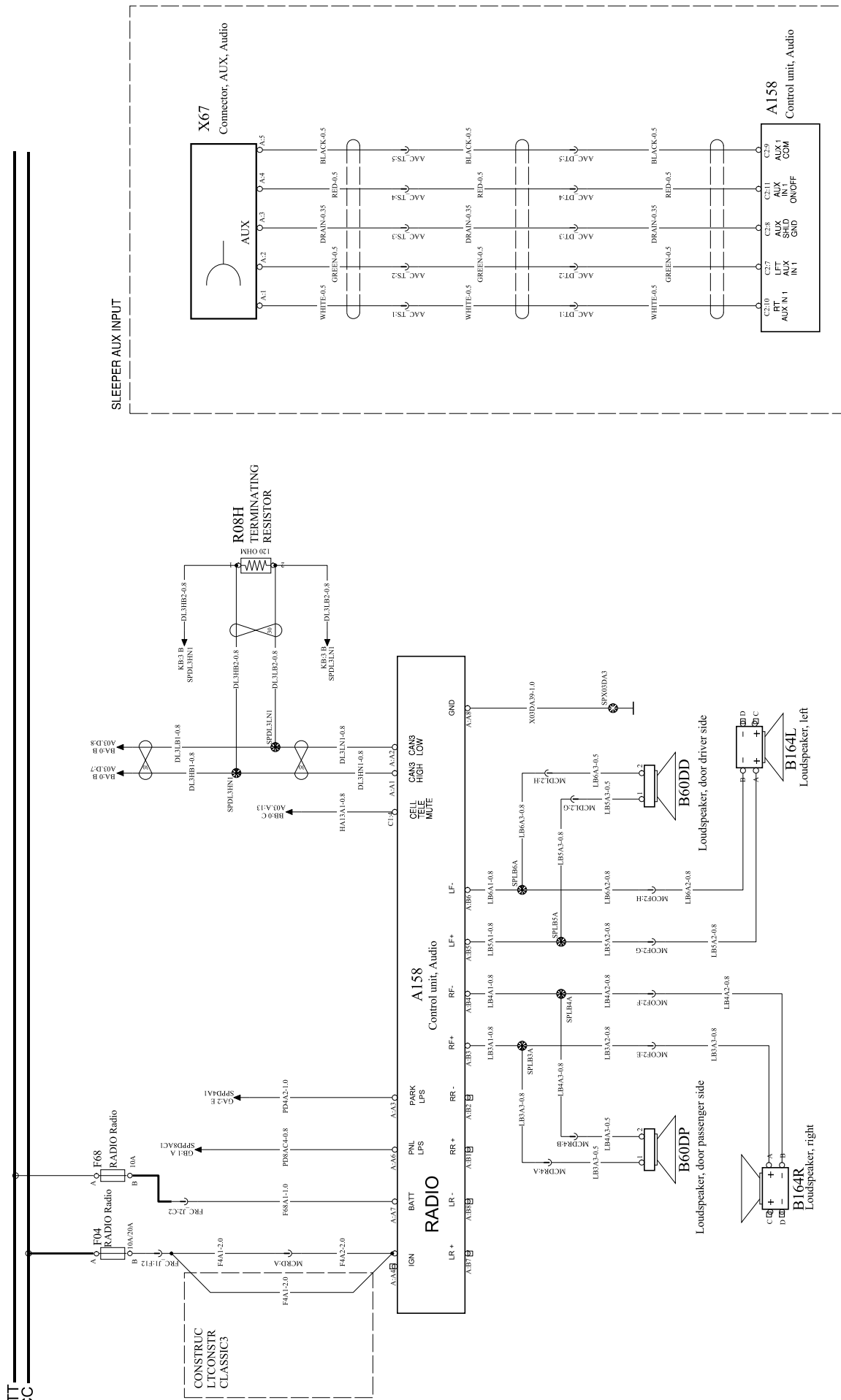
WIRING DIAGRAM: JH



Document title		Document No		Page	
WIRING DIAGRAM, 12V MACK CONVENTIONAL		23970505		1 (1) 85 (104)	
Document type		Issue		Volume	
PRODUCT SCHEMATIC		02		1 (1) 85 (104)	
Volvo Truck Corporation				4	

AUDIO SYSTEM - DAYCAB

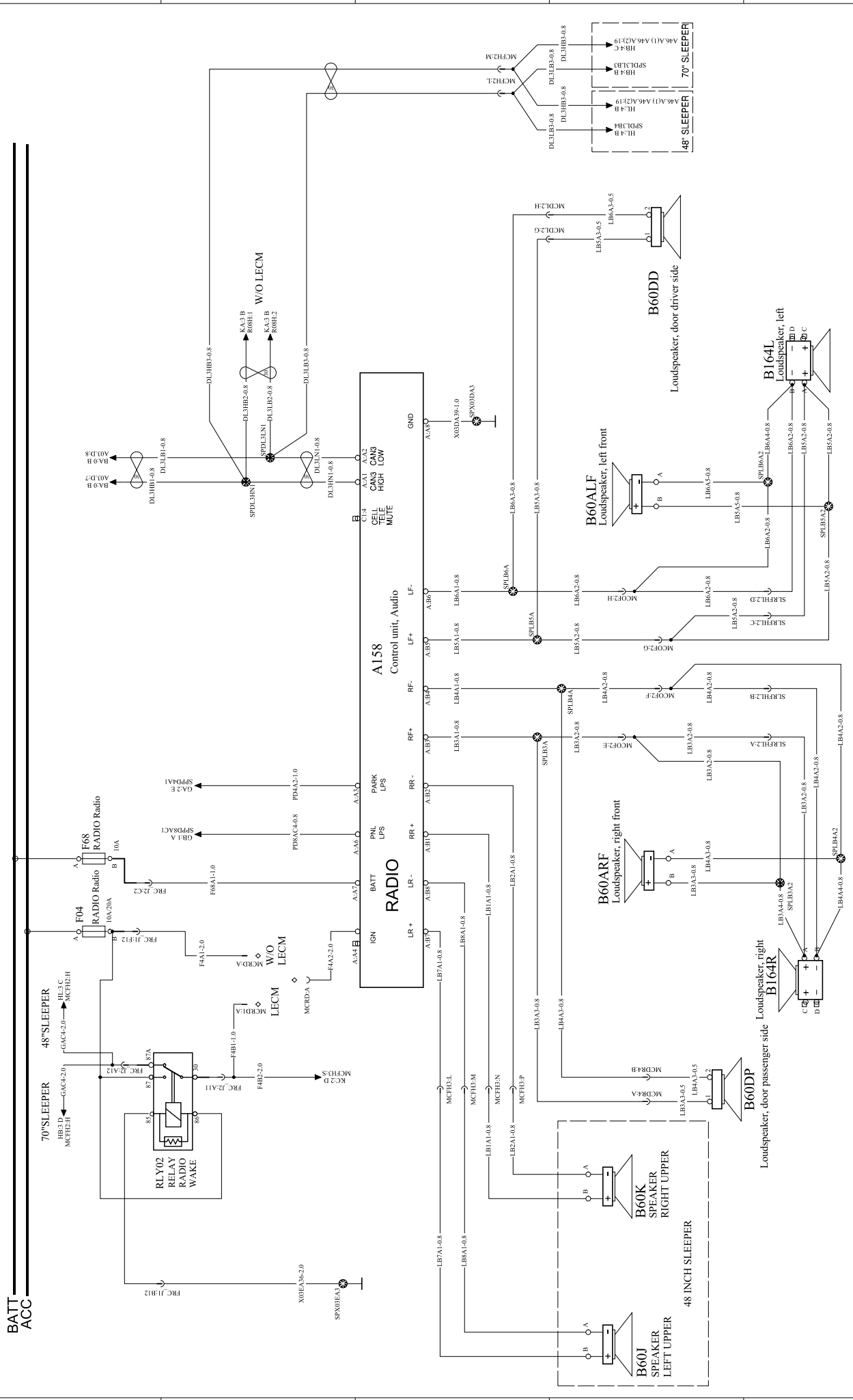
WIRING DIAGRAM: KA



Document title WIRING DIAGRAM, 12V MACK CONVENTIONAL		Document No 23970505	Issue 02	Volume 1 (1) 86 (104)	Page 4
Document type PRODUCT SCHEMATIC					
Volvo Truck Corporation					

WIRING DIAGRAM: KB

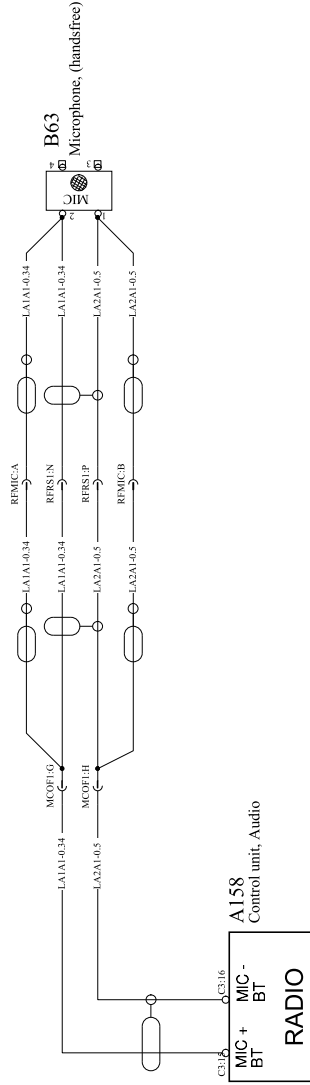
AUDIO SYSTEM - SLEEPERS



Document title WIRING DIAGRAM, 12V MACK CONVENTIONAL		Document No 23970505	Issue 02	Volume 1 (1)	Page 87 (104)
Document title WIRING DIAGRAM, 12V MACK CONVENTIONAL		Document type PRODUCT SCHEMATIC	0 1 2 3 4		
Volvo Truck Corporation		0 1 2 3 4			

AUDIO SYSTEM - BLUETOOTH

WIRING DIAGRAM: KD



A

B

C

D

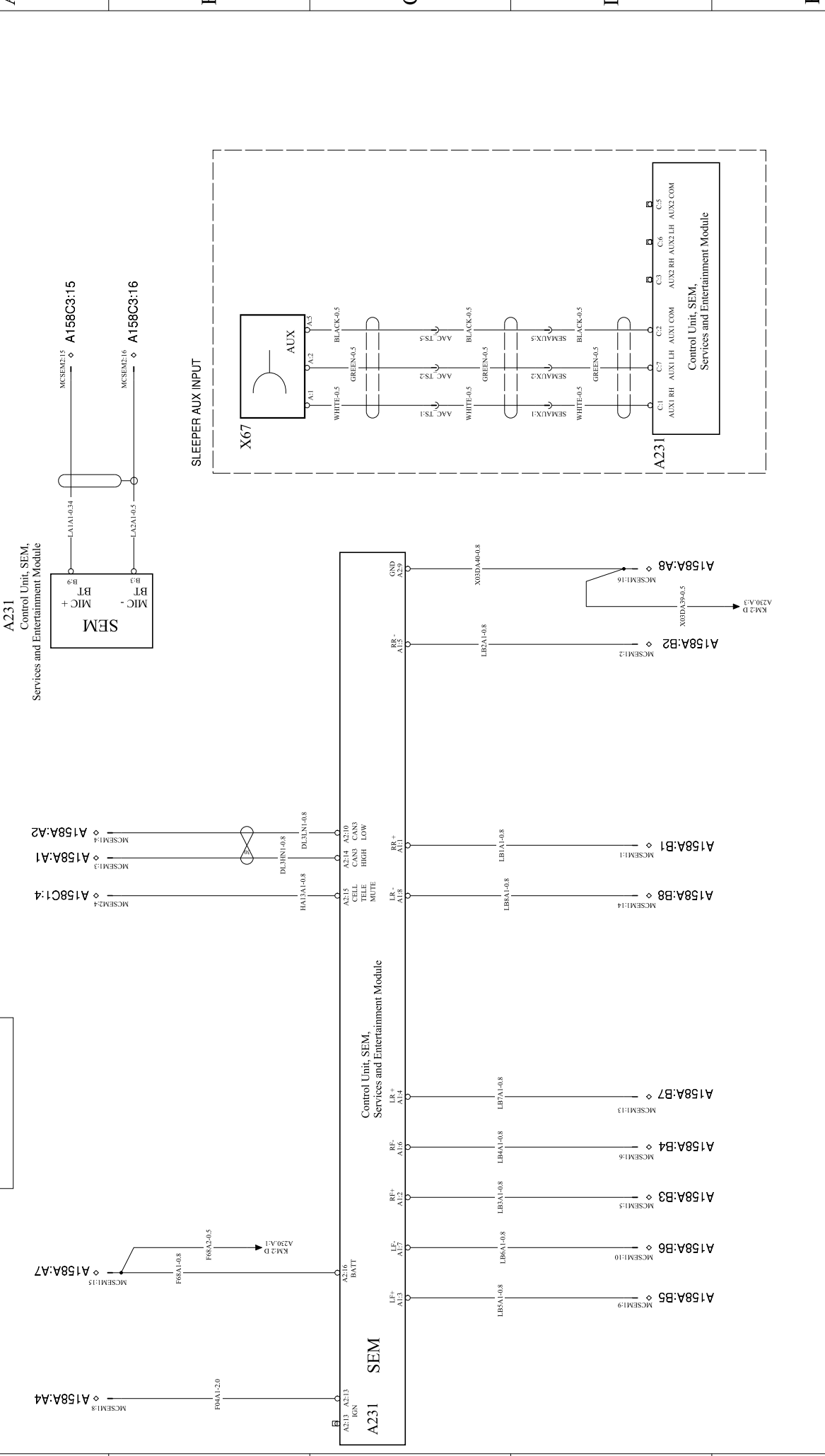
E

<p>Volvo Truck Corporation</p>		<p>Document title</p> <p>WIRING DIAGRAM, 12V MACK CONVENTIONAL</p>	<p>Document No</p> <p>23970505</p>	<p>Issue</p> <p>02</p>	<p>Volume</p> <p>1 (1)</p>	<p>Page</p> <p>89 (104)</p>
		<p>Document type</p> <p>PRODUCT SCHEMATIC</p>				

INFOTAINMENT AUDIO SYSTEM 1/2

WIRING DIAGRAM: KL

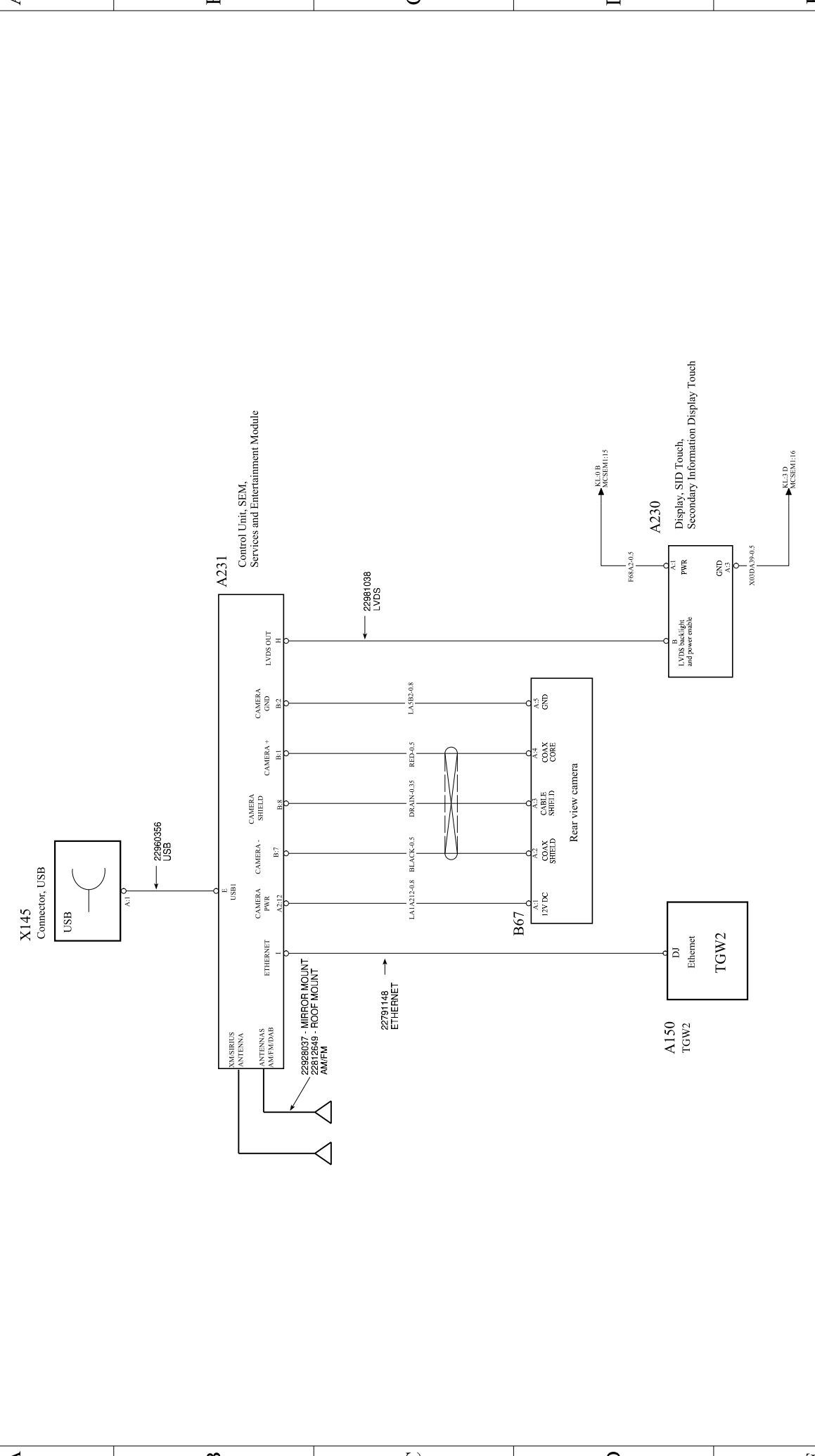
FOR CONNECTIONS TO MAIN CAB SEE AUDIO SYSTEM SCHEMATICS



Document title WIRING DIAGRAM, 12V MACK CONVENTIONAL		Document No 23970505	Issue 02	Volume 1 (1)	Page 90 (104)
Document type PRODUCT SCHEMATIC					

INFOTAINMENT AUDIO SYSTEM 2/2

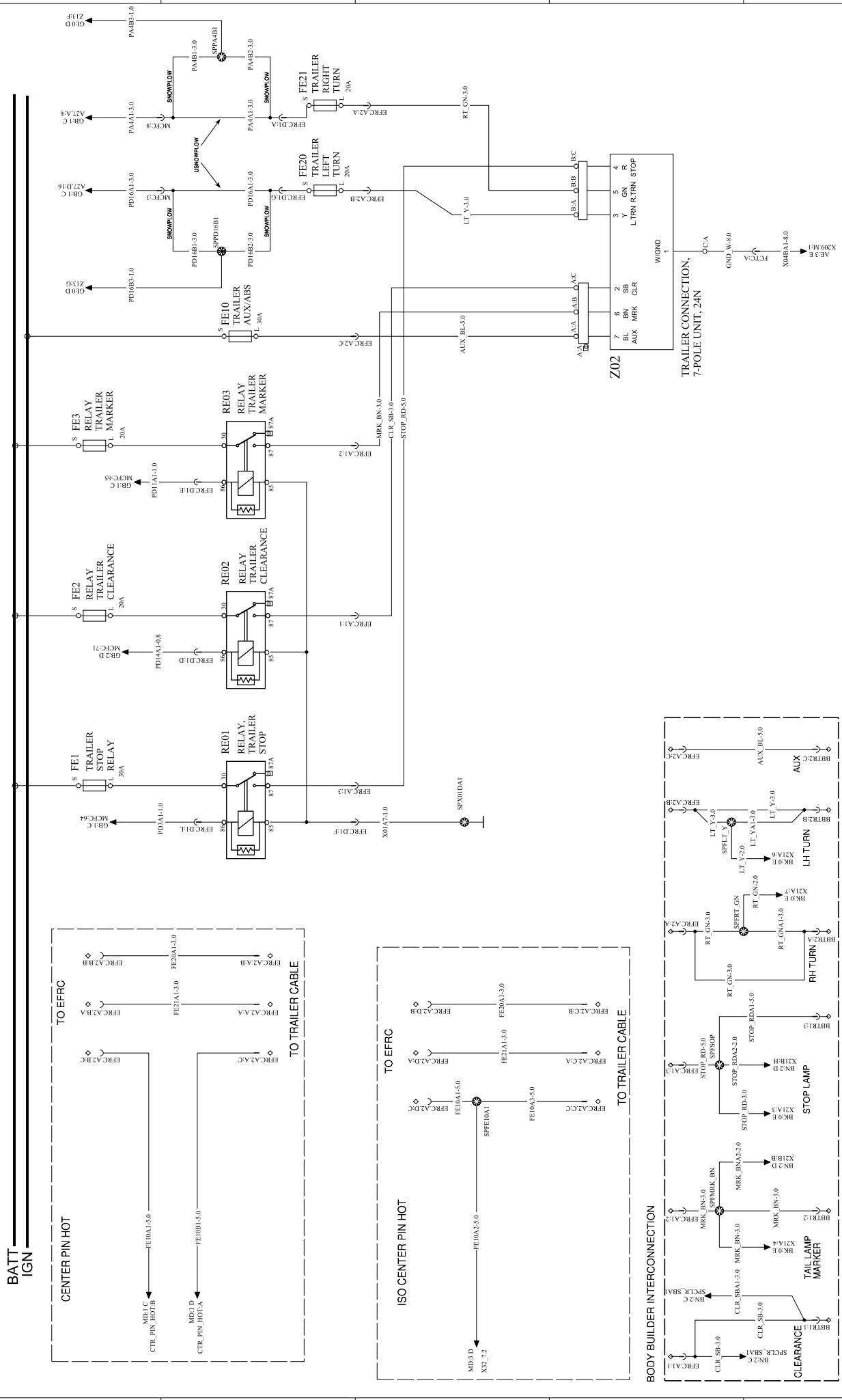
WIRING DIAGRAM: KM



Volvo Truck Corporation	Document title WIRING DIAGRAM, 12V MACK CONVENTIONAL		Document No 23970505	Issue 02	Volume 1 (1)	Page 91 (104)
	Document type PRODUCT SCHEMATIC					

WIRING DIAGRAM: MA

TRAILER CABLE



Document No	Issue	Volume	Page
23970505	02	1 (1)	92 (104)

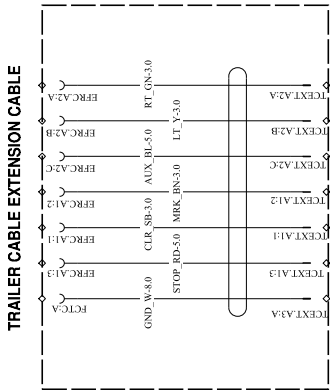
Document title	Document type
WIRING DIAGRAM, 12V MACK CONVENTIONAL	PRODUCT SCHEMATIC

Volvo Truck Corporation

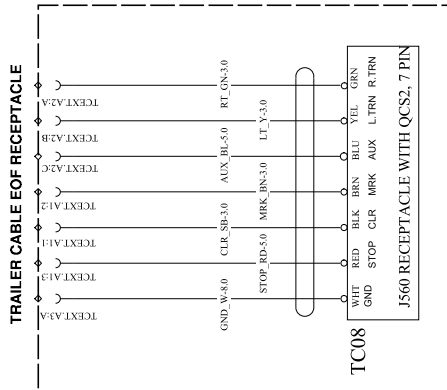
TRAILER CABLE OPTIONS

WIRING DIAGRAM: MB

A



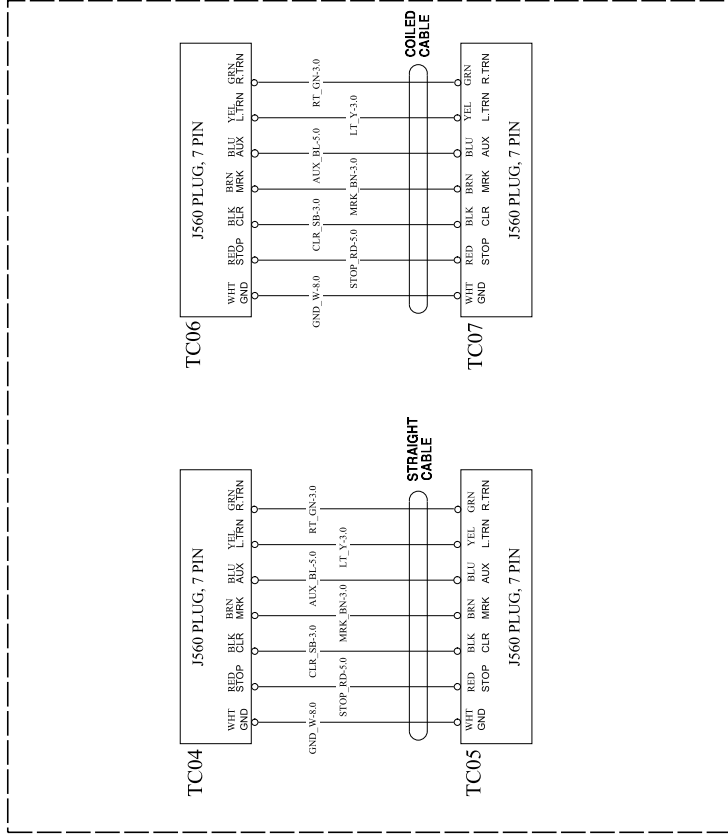
B



C

D

DETACHABLE TRAILER CABLES
STRAIGHT / COILED



E

Volvo Truck Corporation	Document title	Document No	Issue	Volume	Page
	WIRING DIAGRAM, 12V MACK CONVENTIONAL PRODUCT SCHEMATIC	23970505	02	1 (1)	93 (104)

0

1

2

3

4

TRAILER CABLES OPTIONS

WIRING DIAGRAM: MC

TRAILER CABLE BODY BUILDER
"Y" END OPTION

Volvo Truck Corporation

Document title
WIRING DIAGRAM, 12V MACK CONVENTIONALDocument type
PRODUCT SCHEMATIC

Document No

23970505

Issue

02

Volume

1 (1) 94 (104)

Page

0

1

2

3

4

A

B

C

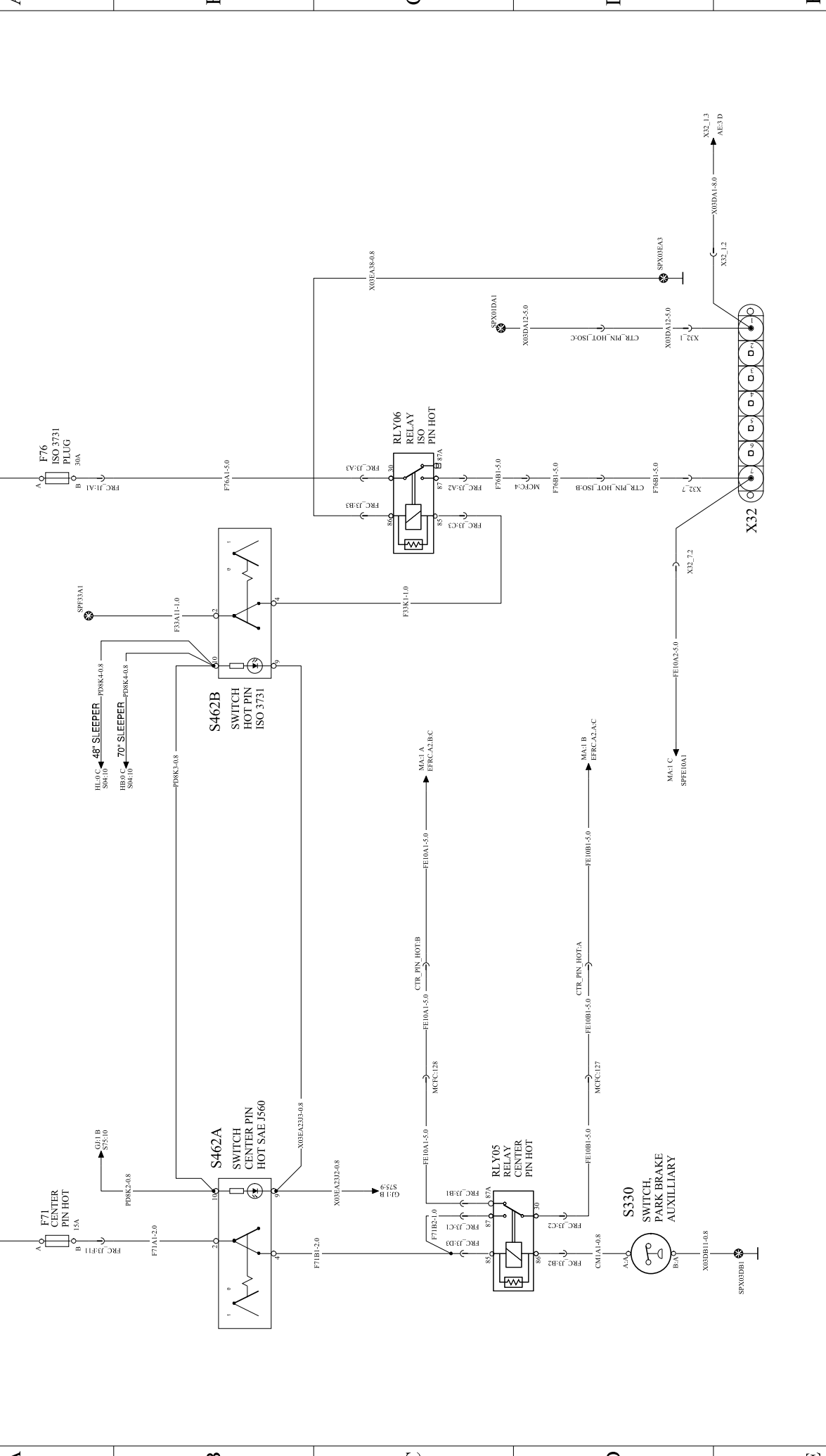
D

E

CENTER PIN HOT

WIRING DIAGRAM: MD

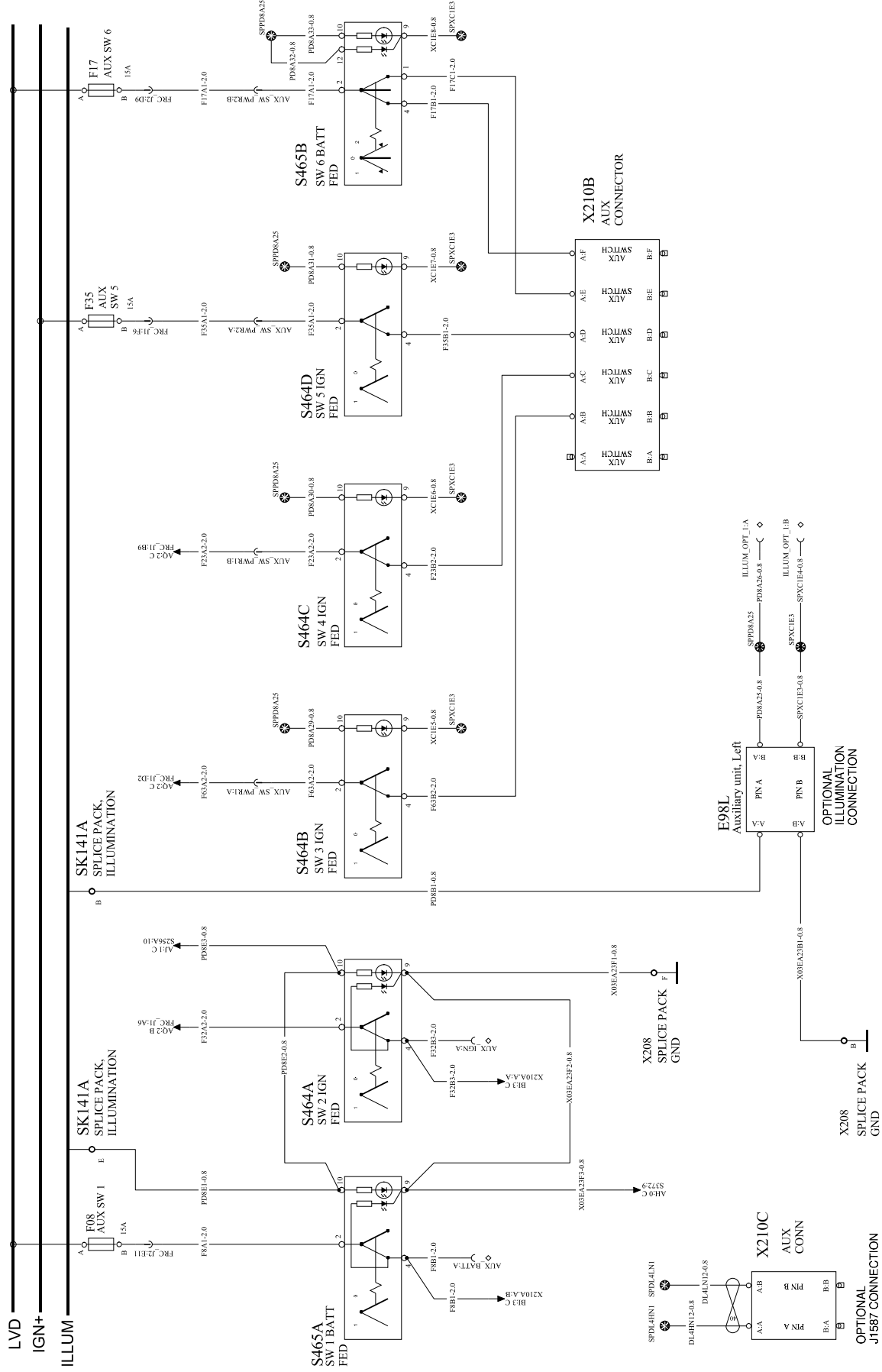
BATT



Document title WIRING DIAGRAM, 12V MACK CONVENTIONAL		Document No 23970505	Issue 02	Volume 1 (1)	Page 95 (104)
Document type PRODUCT SCHEMATIC				3	4
Volvo Truck Corporation				1	2
				0	1

SPARE SWITCHES AND AUXSW-6 OPTION

WIRING DIAGRAM: NA

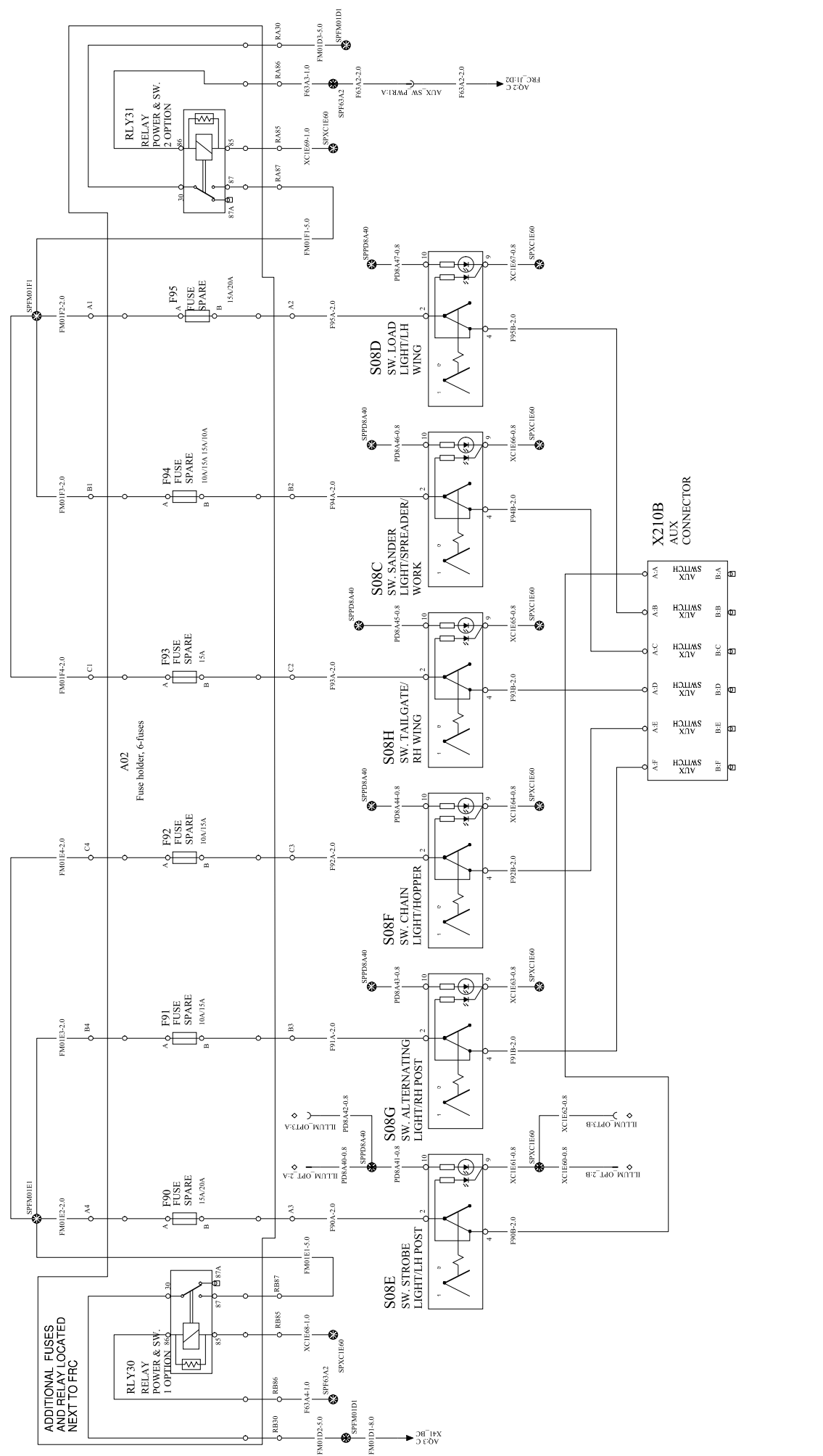


Document title WIRING DIAGRAM, 12V MACK CONVENTIONAL	Document No 23970505	Issue	Volume	Page
		02	1 (1)	96 (104)
Document type PRODUCT SCHEMATIC		3		
Volvo Truck Corporation		4		

SPARE SWITCHES - AUXS-8BB

WIRING DIAGRAM: NB

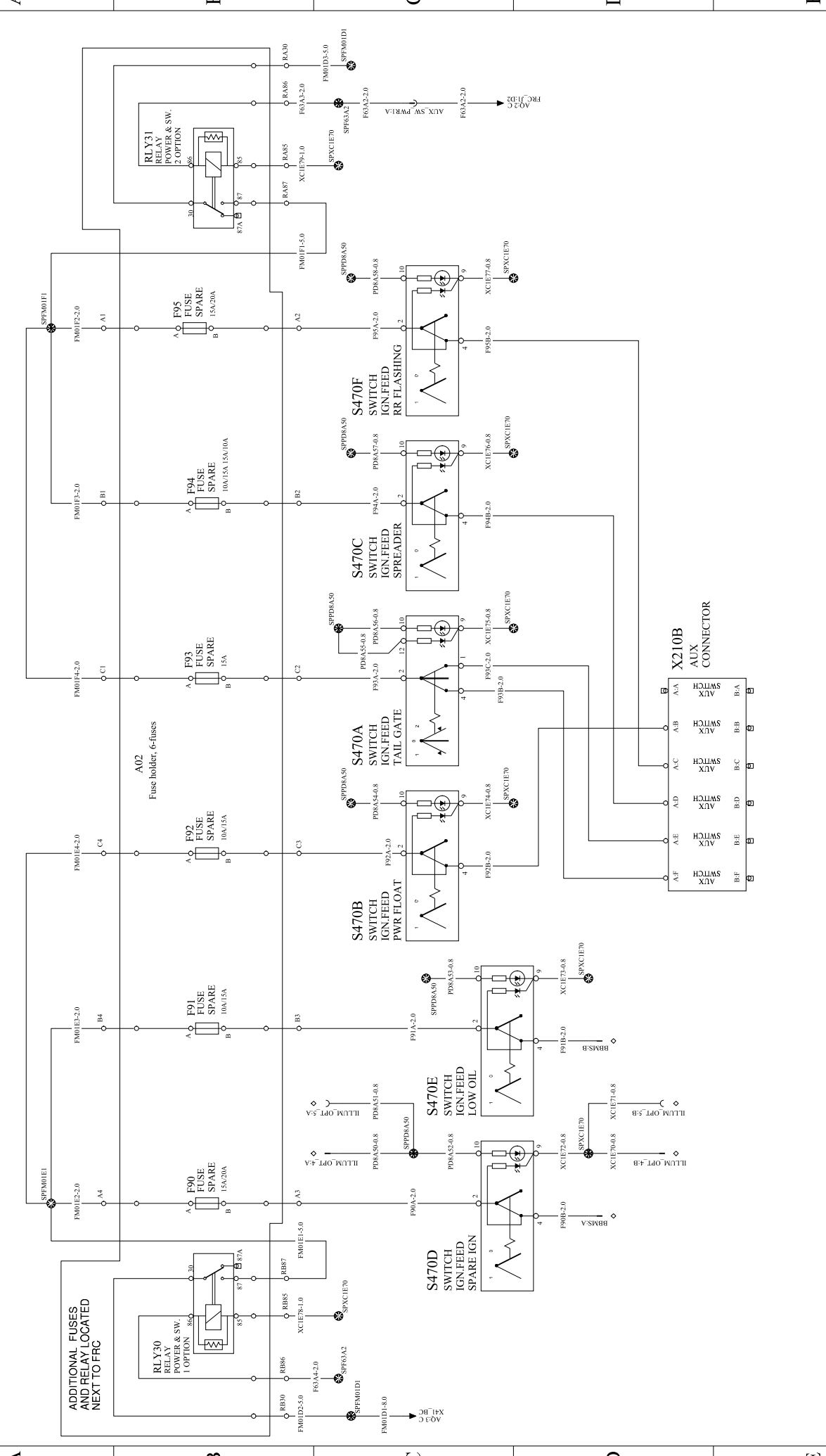
A B C D E



Document title WIRING DIAGRAM, 12V MACK CONVENTIONAL		Document No 23970505	Issue 02	Volume 1 (1)	Page 97 (104)
Document type PRODUCT SCHEMATIC			4		
Volvo Truck Corporation					
0		1		2	
3		4		5	

SPARE SWITCHES - BBM-PK16

WIRING DIAGRAM: NC



Document title		Document No		Page	
WIRING DIAGRAM, 12V MACK CONVENTIONAL		23970505		1 (1) 98 (104)	
Document type		Issue		Volume	
PRODUCT SCHEMATIC		02		1 (1) 98 (104)	
0		1		4	

0
TAILGATE LIFT POWER

1

2

3

4

WIRING DIAGRAM : ND

A

A

B

B

C

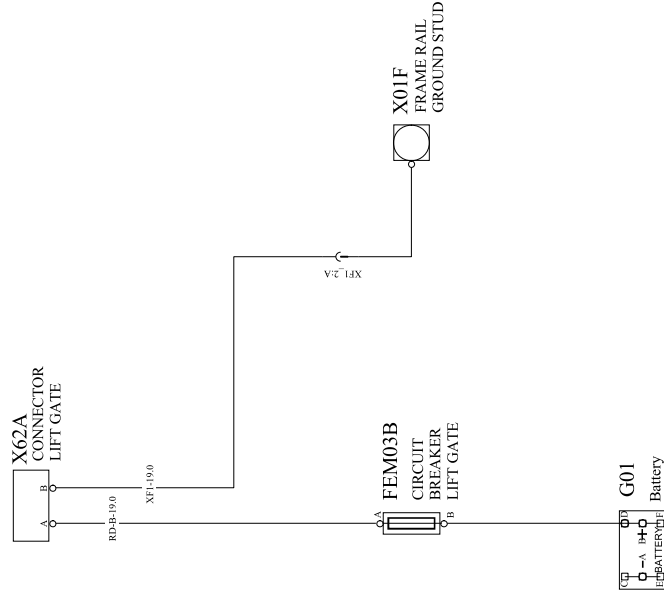
C

D

D

E

E



Document title	WIRING DIAGRAM, 12V MACK CONVENTIONAL
Document type	PRODUCT SCHEMATIC

Document No	23970505
Issue	02
Volume	1 (1)
Page	99 (104)

Volvo Truck Corporation

0

1

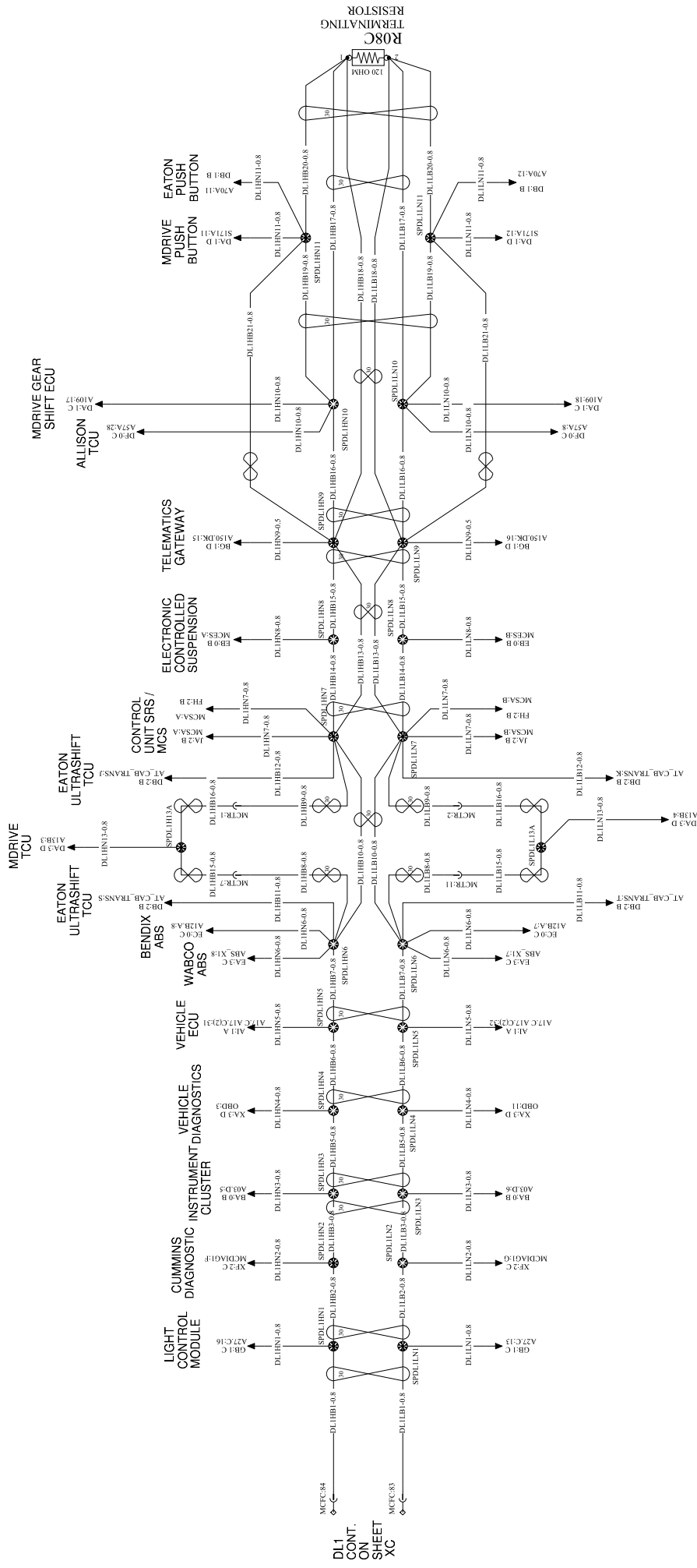
2

3

4

DIAGNOSTICS 2/4 (CAB DL1 - J1939)

WIRING DIAGRAM: XB



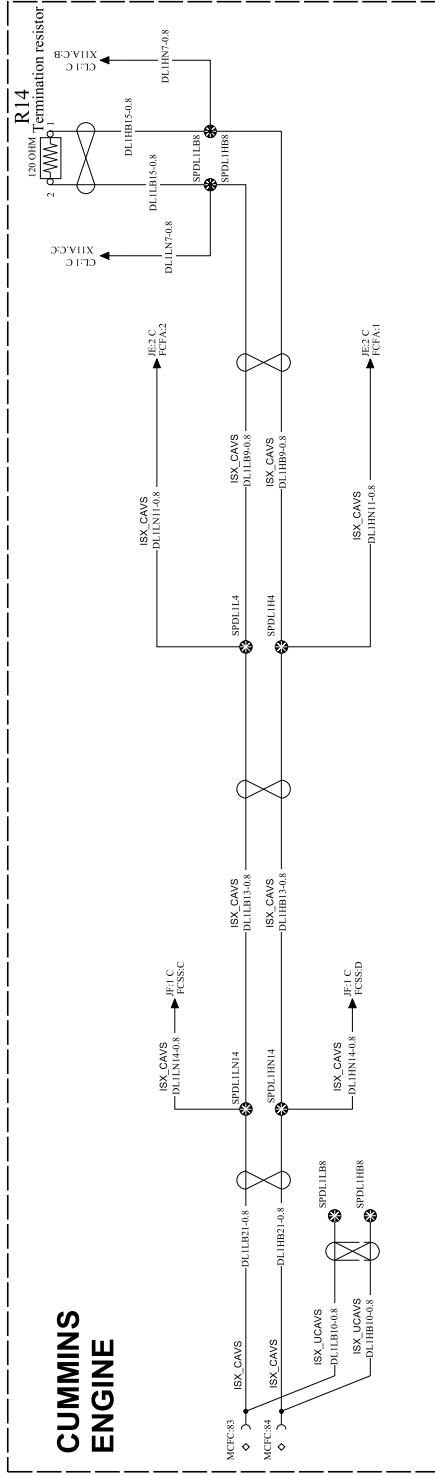
DL1 CONT. ON NEXT SHEET XC

Document No	23970505	Issue	02	Volume	1 (1) 101 (104)	Page	
-------------	----------	-------	----	--------	-----------------	------	--

Document title	WIRING DIAGRAM, 12V MACK CONVENTIONAL
Document type	PRODUCT SCHEMATIC

DIAGNOSTICS 4/4 (CHASSIS DL1 - 1939)

WIRING DIAGRAM: XD



A

B

C

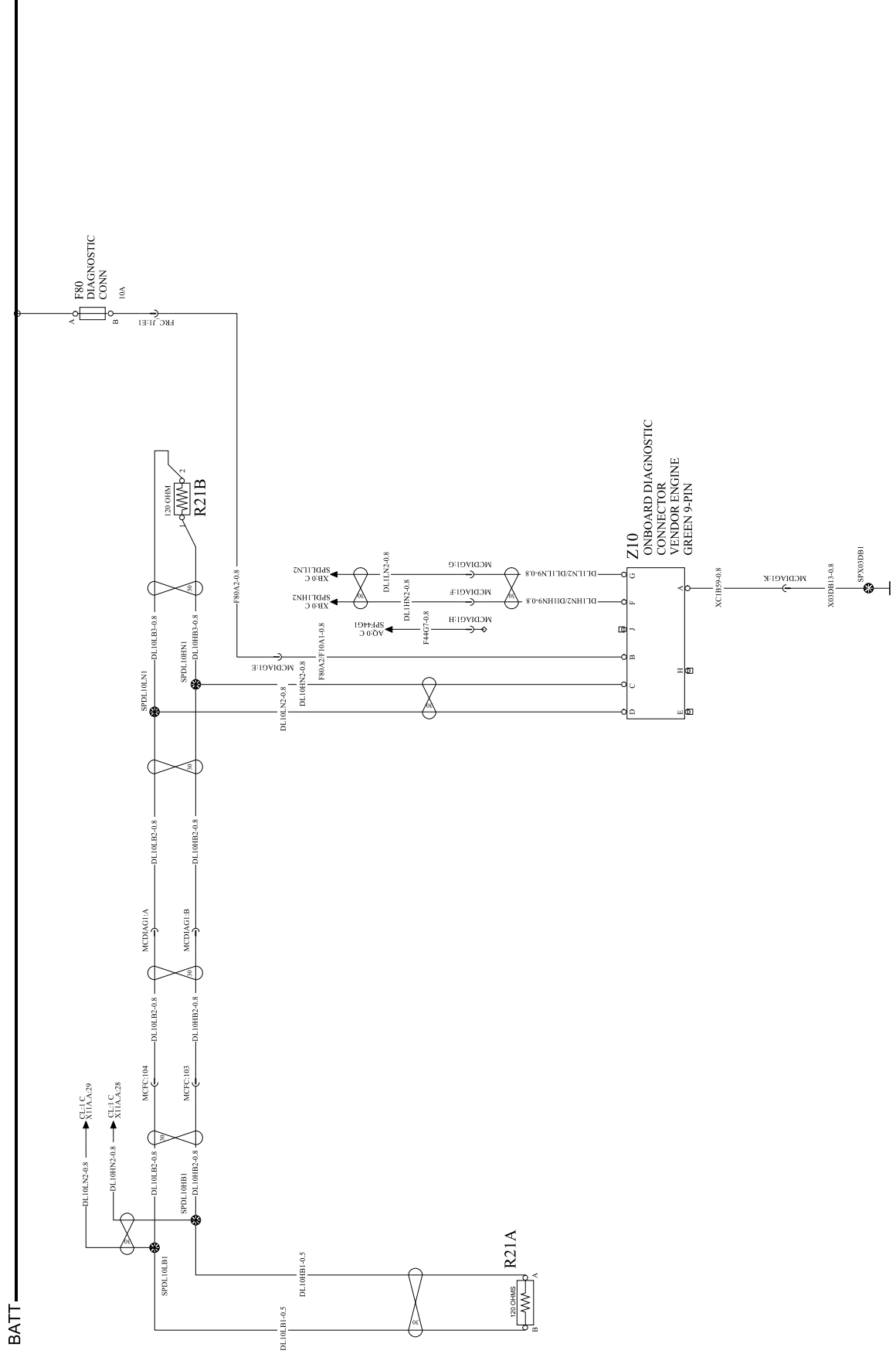
D

E

Document title		Document No		Volume	Issue	Page
WIRING DIAGRAM, 12V MACK CONVENTIONAL		23970505		1 (1)	02	103 (104)
Document type						
PRODUCT SCHEMATIC						

DIAGNOSTICS CUMMINS (DL10)

WIRING DIAGRAM : XF



Document title WIRING DIAGRAM, 12V MACK CONVENTIONAL		Document No 23970505	Issue 02	Volume 1 (1)	Page 104 (104)
Document type PRODUCT SCHEMATIC					
Volvo Truck Corporation					
0	1	2	3	4	