

GR Models with Light Control Module, (Introduced Wk0518)

Mack Trucks certifies that its vehicles comply with all applicable Federal Motor Vehicle Safety Standards for operation in North America at the time of initial vehicle build; however, Mack Trucks does not guarantee that a given vehicle complies with all individual State and Provincial regulations in the area that the vehicle is being operated. It is the responsibility of the customer and/or its Final Stage Manufacturer to ensure that the complete vehicle is compliant with all local regulations in the geographic area of usage.

With the introduction of the Mack Granite Generation II Interior and its many new options and Conveniences over the previous Generation 1 Interior, a new Light Control Module was introduced. This has affected how Headlamps and Fog Lamps can be integrated into a vehicle for operation in different geographic locations as described above.

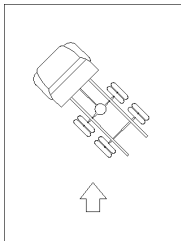
This document contained the following information, which can be used by customers and their Final Stage Manufacturers to correctly configure Headlamps and Auxiliary Lamps to allow their vehicle to comply with their appropriate State and Provincial regulations:

- Installation Instructions
- Part Number List
- Wiring Diagrams
- Wiring Harness Connection Matrix

Mack Trucks Body Builder Support Group
877-770-7575

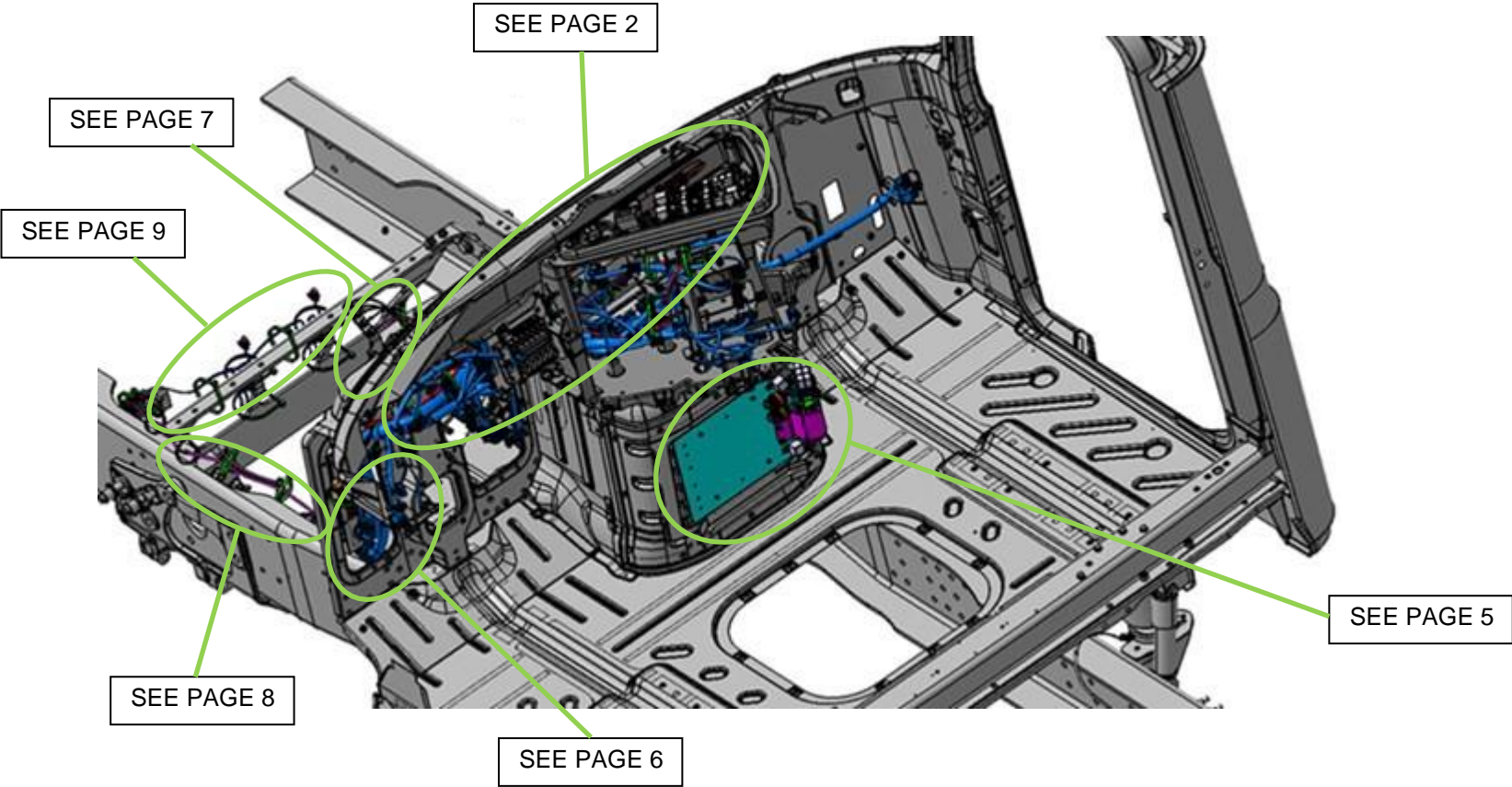
<https://www.macktrucks.com/parts-and-services/support/body-builders/>

Engineering Release Notice (ERN)	Location	Change Description	A = Added D = Deleted	W = Was	Document Release Status RELEASED	
D-18185-62		SEE DCN			Date	Modification Count



NOTES:
THIS INSTALL IS GOOD FOR A CONVENTIONAL WITH THE CUSTOMER ENGINEERING OPTION NJX-A9X (AUX LAMPS, DUAL INDEPENDENT SNOW PLOW PREP KIT) VERSION 2.

LAST ITEM USED	17
----------------	----



The copying, distribution and utilization of this document as well as the communication of its contents to others without expressed authorization is prohibited. Offenders will be held liable for payment of damages. All rights reserved in the event of the grant of a patent, utility model or ornamental design registration.

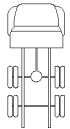
Document Title
**INSTALLATION DRAWING
WIRING AUX LAMP PREP KIT
CONVENTIONAL - NJX-A9X VER. 2**

Document Type
INSTALLATION REQUIREMENT

Mack Trucks, Inc.

The legal owner of this document is stated as Design Location in KOLA and in associated Part Version Report

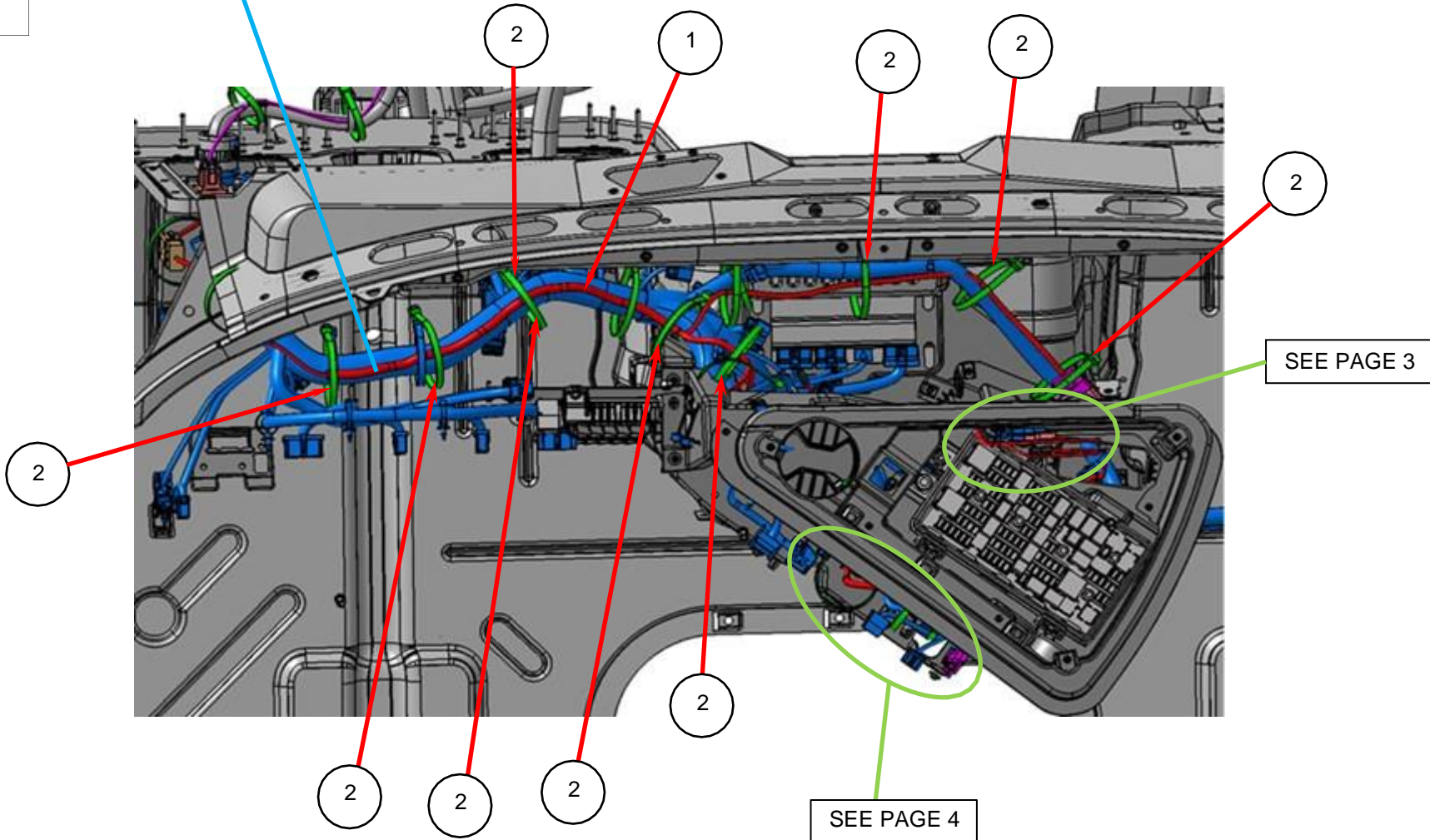
Document No	Issue Index	Volume No	Page No
23844449	02	01	1(11)



TOP

THE ROUTING AND CLIPPING FOR AUX LAMPS,DUAL INDEPENDENT SNOW PLOW PREP KIT.

THE SNOW PLOW LAMPS DASH OVERLAY HARNESS(RED) SHOULD FOLLOW AND BE CABLE TIED TO THE MAIN CAB HARNESS(BLUE).



Mack Trucks, Inc.

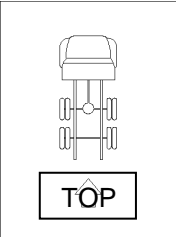
Document Title
INSTALLATION DRAWING
Document Type
INSTALLATION REQUIREMENT

Document No
23844449

Issue Index
02

Volume No
01

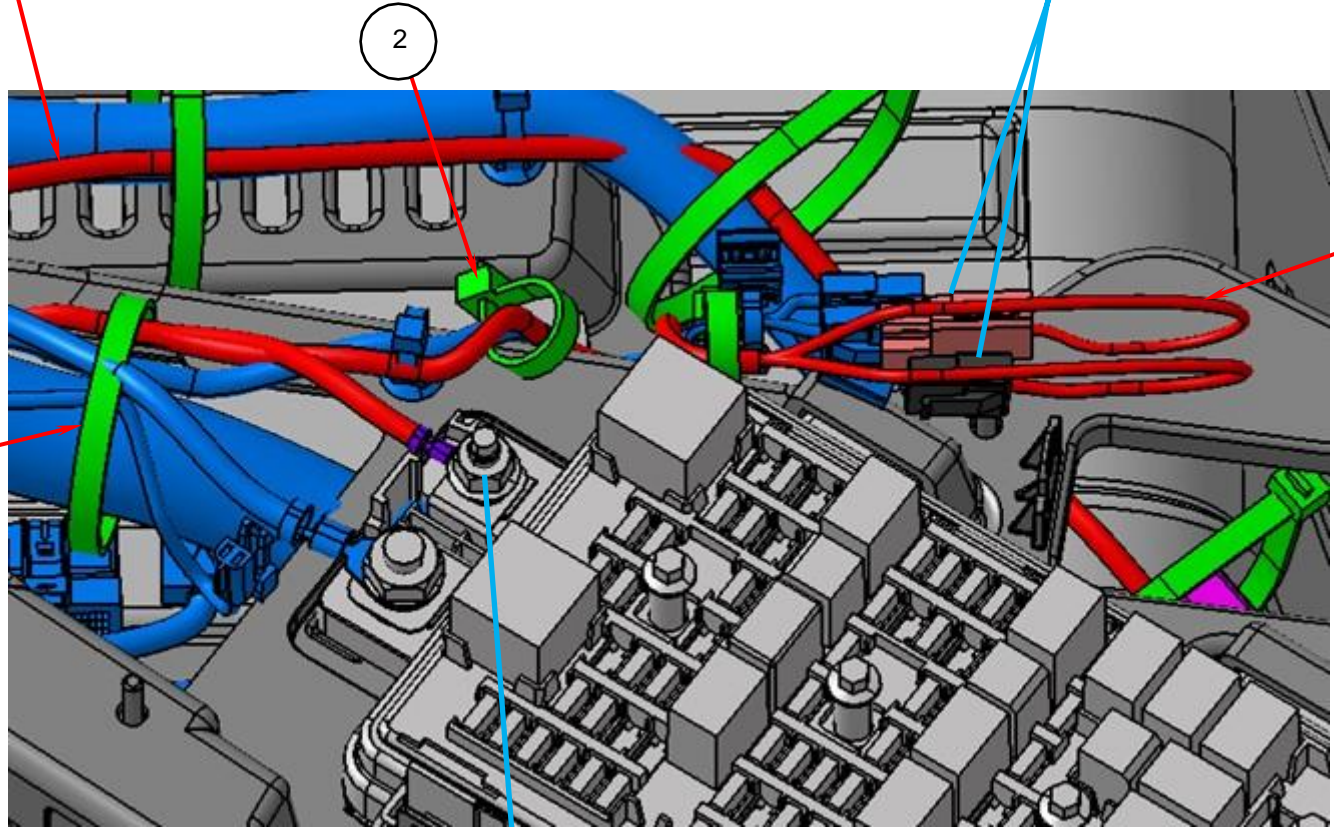
Page No
2(11)



THE ROUTING AND CLIPPING FOR THE RELAY, FUSE BLOCK, X41_APL RING TERMINAL AND X117_D IGN. OPTION.

1 REF

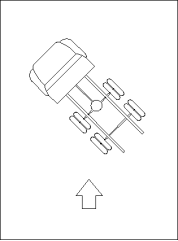
CONNECT THE X117_D CONNECTOR(LABELED IGN OPT) ON THE DASH OVERLAY HARNESS(RED) TO THE X117_D CONNECTOR(LABELED IGN OPT) ON THE MAIN CAB HARNESS(BLUE). TAKE THE EXTRA X117_D THAT WILL BE USED AS A SPARE IGN. CONNECTION.



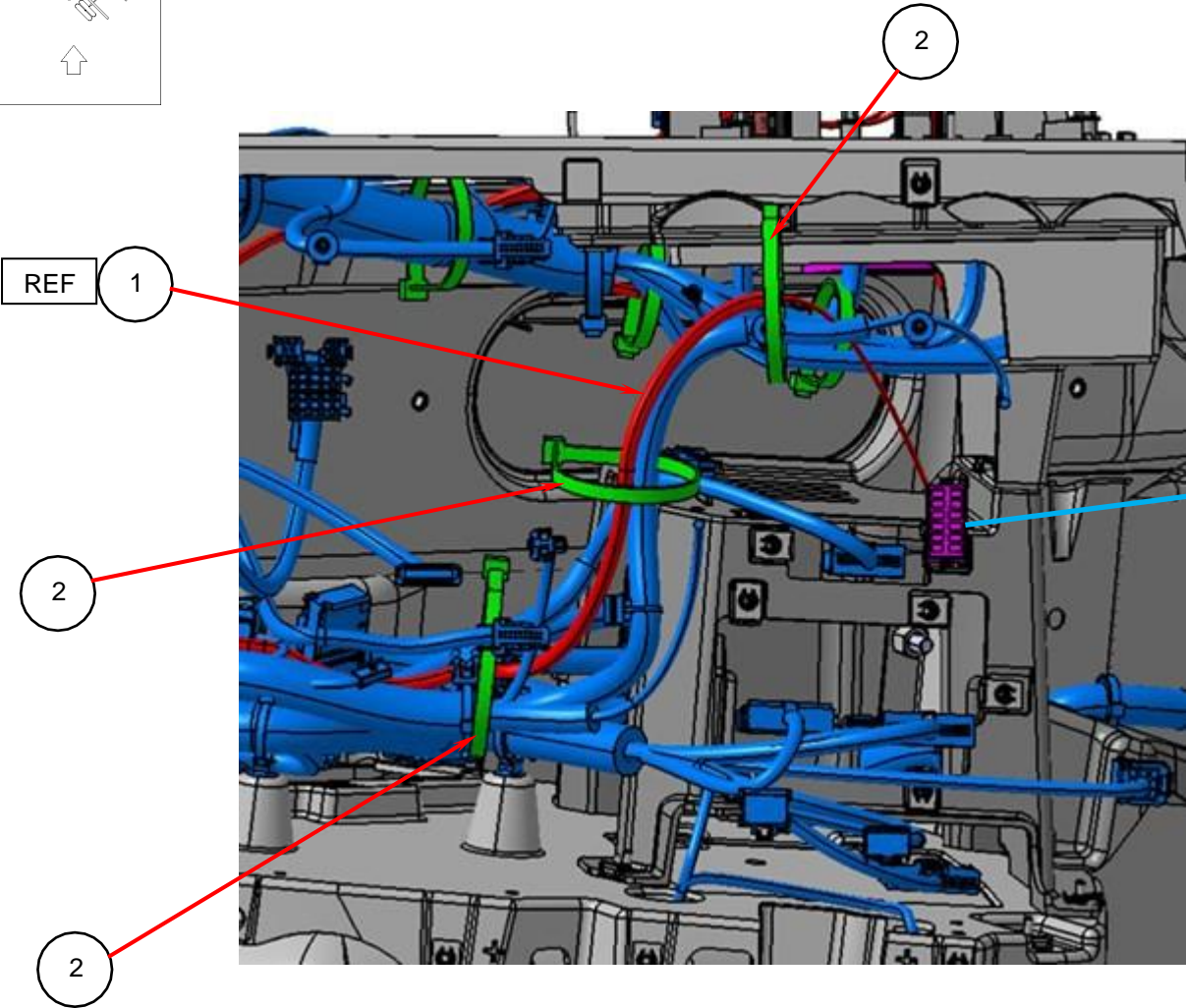
2

1 REF

PLACE THE X41 RING TERMINAL(LABELED X41) ON THE DASH OVERLAY HARNESS(RED) ON THE POSITIVE STUD ON THE FRC RELAY & FUSE CENTER. TORQUE TO 140 IN-LBS MAX.

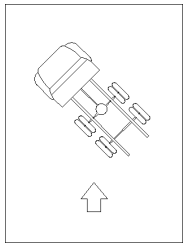


THE ROUTING AND CLIPPING FOR THE SWITCH FOR AUX LAMPS, DUAL INDEPENDENT SNOW PLOW PREP KIT.

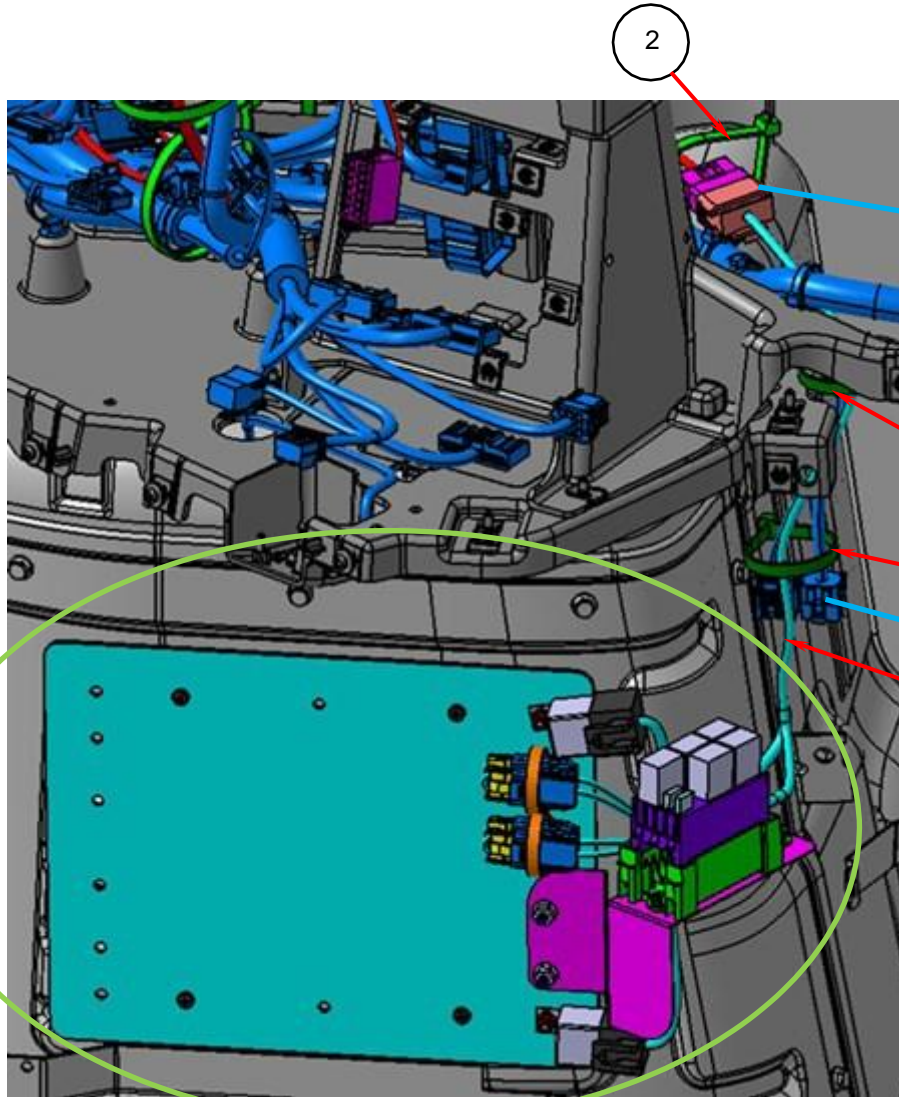


THE SNOW PLOW LAMPS DASH OVERLAY HARNESS(RED) SHOULD FOLLOW AND BE CABLE TIED TO THE MAIN CAB HARNESS(BLUE).

Mack Trucks, Inc.	Document Title INSTALLATION DRAWING	Document No	Issue Index	Volume No	Page No
	Document Type INSTALLATION REQUIREMENT	23844449	02	01	4(11)



THE ROUTING AND CLIPPING DOWN TO THE FRONT OF THE DOG HOUSE FOR AUX LAMPS, DUAL INDEPENDENT SNOW PLOW PREP KIT.

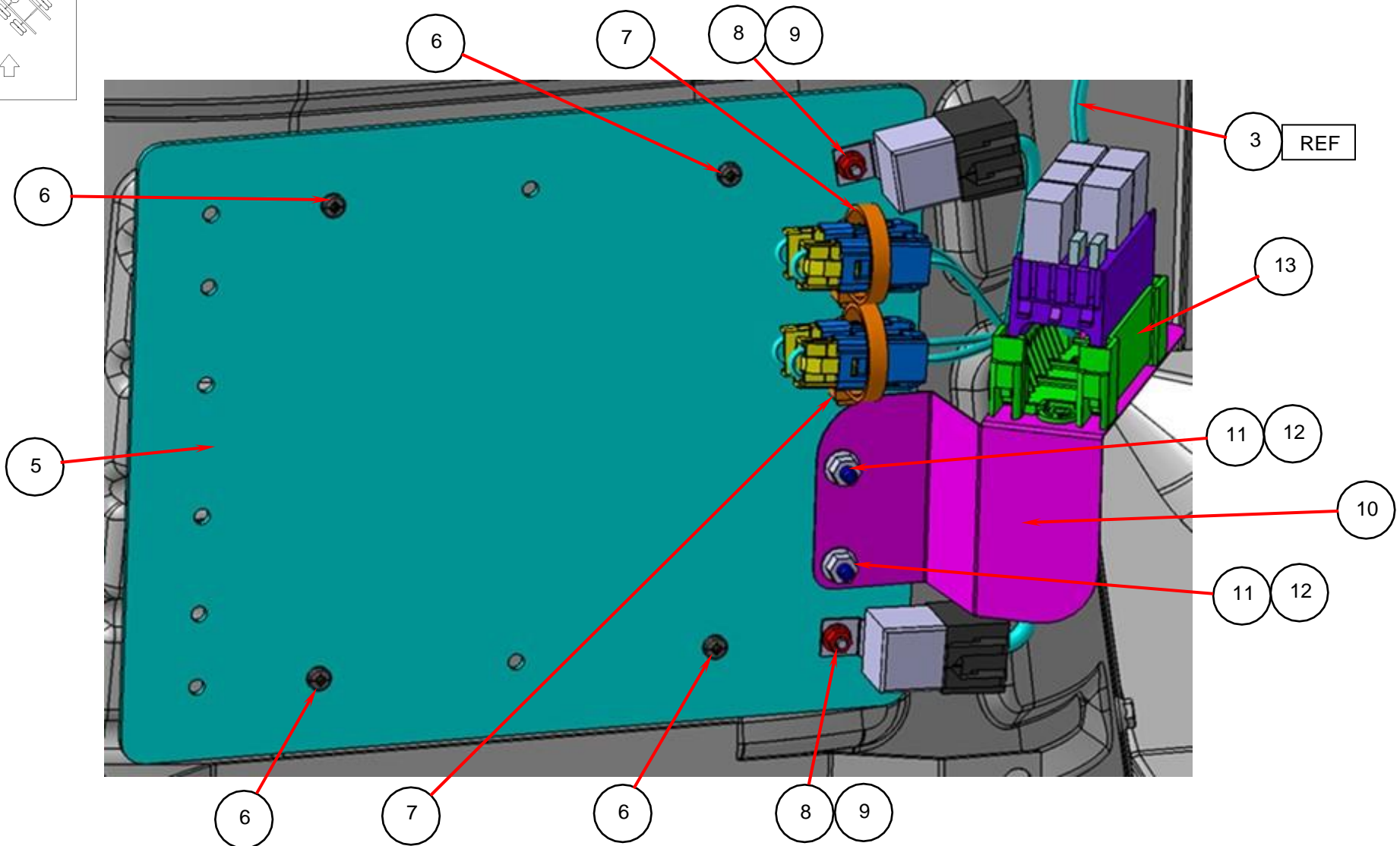
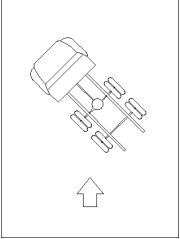


THE SNOW PLOW LAMPS DASH OVERLAY HARNESS(RED) SHOULD FOLLOW AND BE CABLE TIED TO THE MAIN CAB HARNESS(BLUE) AND THE CONNECTOR LABELED (DOGHOUSE) SHOULD CONECT TO THE DASH DOGHOUSE OVERLAY HARNESS(GREEN) CONECTOR LABLED (DOGHOUSE) AND FOLLOW THE MAIN CAB HARNESS(BLUE) CLIMATE CONTROL UNIT LEGS DOWN TO THE RELAY & FUSE CONNECTOR BASE.

SEE PAGE 6

Mack Trucks, Inc.	Document Title INSTALLATION DRAWING	Document No	Issue Index	Volume No	Page No
	Document Type INSTALLATION REQUIREMENT	23844449	02	01	5(11)

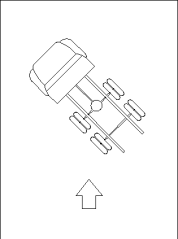
THE ROUTING AND CLIPPING DOWN TO THE FRONT OF THE DOG HOUSE FOR AUX LAMPS, DUAL INDEPENDENT SNOW PLOW PREP KIT.



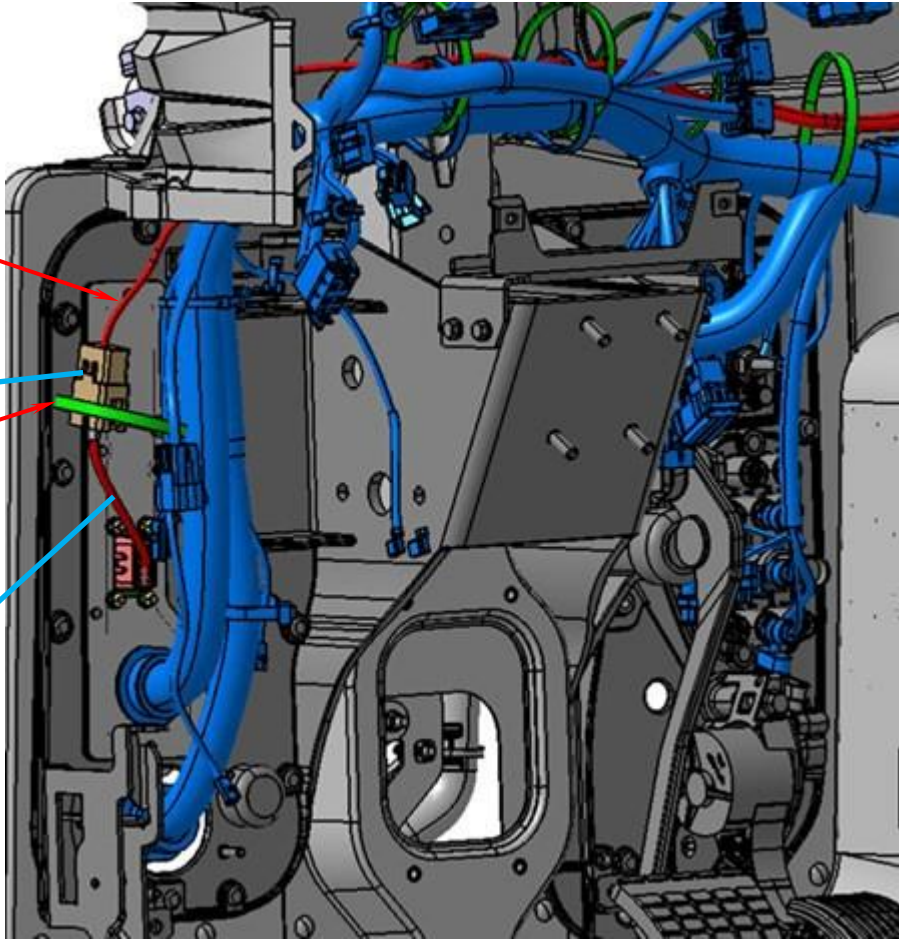
Mack Trucks, Inc.

Document Title	INSTALLATION DRAWING
Document Type	INSTALLATION REQUIREMENT

Document No	Issue Index	Volume No	Page No
23844449	02	01	6(11)



THE ROUTING AND CLIPPING FOR THE EPDMP_A CONNECTOR ON LH SIDE OF THE STEERING COLUMN.



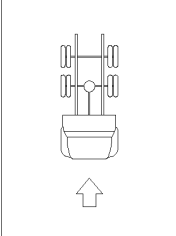
REF 1

THE SNOW PLOW LAMPS DASH OVERLAY HARNESS(RED) SHOULD FOLLOW AND BE CABLE TIED TO THE MAIN CAB HARNESS(BLUE). CONNECT THE EPDMP_A CONNECTOR TO THE EPDMP_A PIGTAIL JUMPER HARNESS.

2

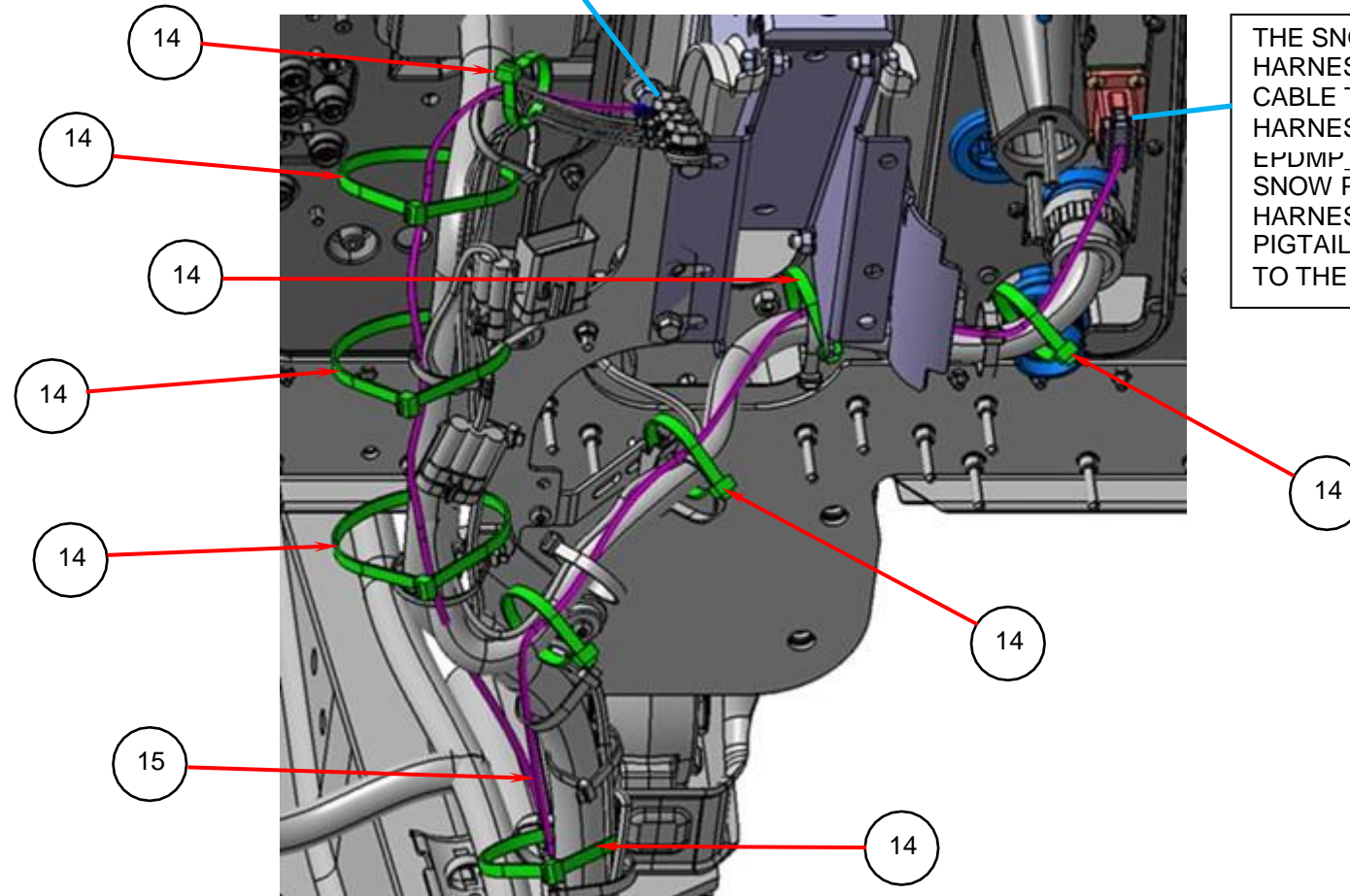
EPDMP_A PIGTAIL JUMPER HARNESS. (RELEASED IN FG3723-01)

Mack Trucks, Inc.	Document Title INSTALLATION DRAWING	Document No	Issue Index	Volume No	Page No
	Document Type INSTALLATION REQUIREMENT	23844449	02	01	7(11)



THE ROUTING AND CLIPPING ON THE DASH SHEET FOR THE SWITCH FOR AUX LAMPS, DUAL INDEPENDENT SNOW PLOW PREP KIT.

THE SNOW PLOW LAMPS CHASSIS OVERLAY HARNESS(PURPLE) SHOULD FOLLOW AND BE CABLE TIED TO THE FRONT CHASSIS HARNESS(GRAY). THE X209 RING TERMINAL(LABELED X209) ON THE SNOW PLOW LAMPS CHASSIS OVERLAY HARNESS(PURPLE) SHOULD BE PLACED ON THE GROUND STUD UNDER THE NUT AND TORQUE TO 100 IN-LBS MAX.



THE SNOW PLOW LAMPS CHASSIS OVERLAY HARNESS(PURPLE) SHOULD FOLLOW AND BE CABLE TIED TO THE FRONT CHASSIS HARNESS(GRAY). CONNECT THE EPDMP_B(LABELED EPDMP) CONNECTOR ON THE SNOW PLOW LAMPS CHASSIS OVERLAY HARNESS(PURPLE) CONNECT TO THE EPDMP_B PIGTAIL JUMPER HARNESS CONNECTOR ATTACHED TO THE FIRE WALL.

Mack Trucks, Inc.

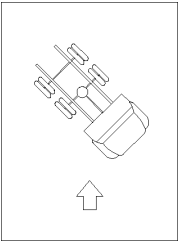
Document Title
INSTALLATION DRAWING
 Document Type
 INSTALLATION REQUIREMENT

Document No
23844449

Issue Index
02

Volume No
01

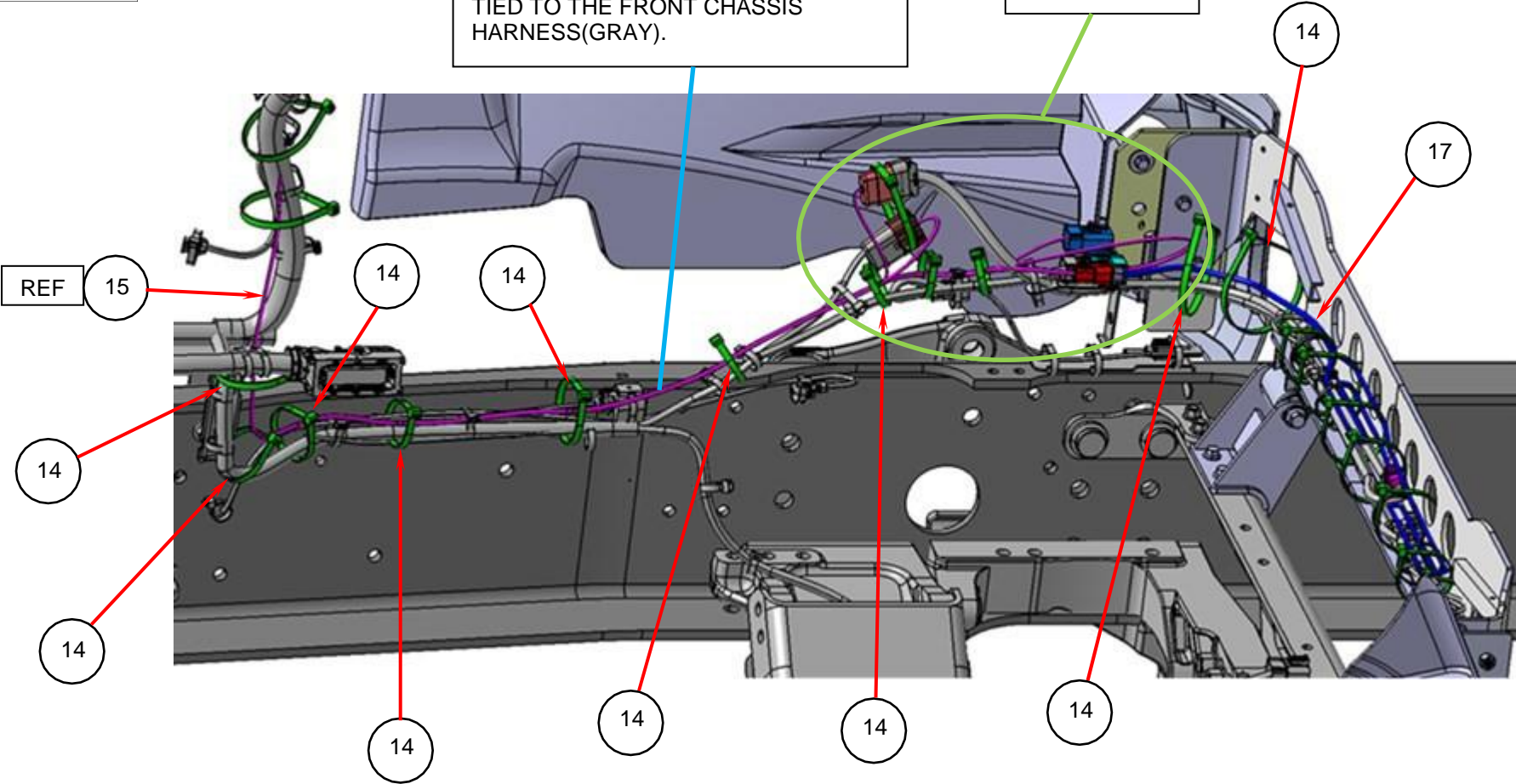
Page No
8(11)



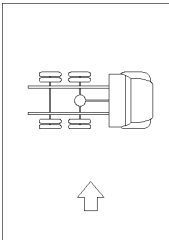
THE ROUTING AND CLIPPING FOR THE SWITCH FOR AUX LAMPS, DUAL INDEPENDENT SNOW PLOW PREP KIT.

THE SNOW PLOW LAMPS CHASSIS OVERLAY HARNESS(PURPLE) SHOULD FOLLOW AND BE CABLE TIED TO THE FRONT CHASSIS HARNESS(GRAY).

SEE PAGE 10



Mack Trucks, Inc.	Document Title INSTALLATION DRAWING	Document No	Issue Index	Volume No	Page No
	Document Type INSTALLATION REQUIREMENT	23844449	02	01	9(11)



THE ROUTING AND CLIPPING FOR THE SNOW PLOW LAMPS CHASSIS OVERLAY HARNESS, DUAL INDEPENDENT SNOW PLOW PREP KIT.

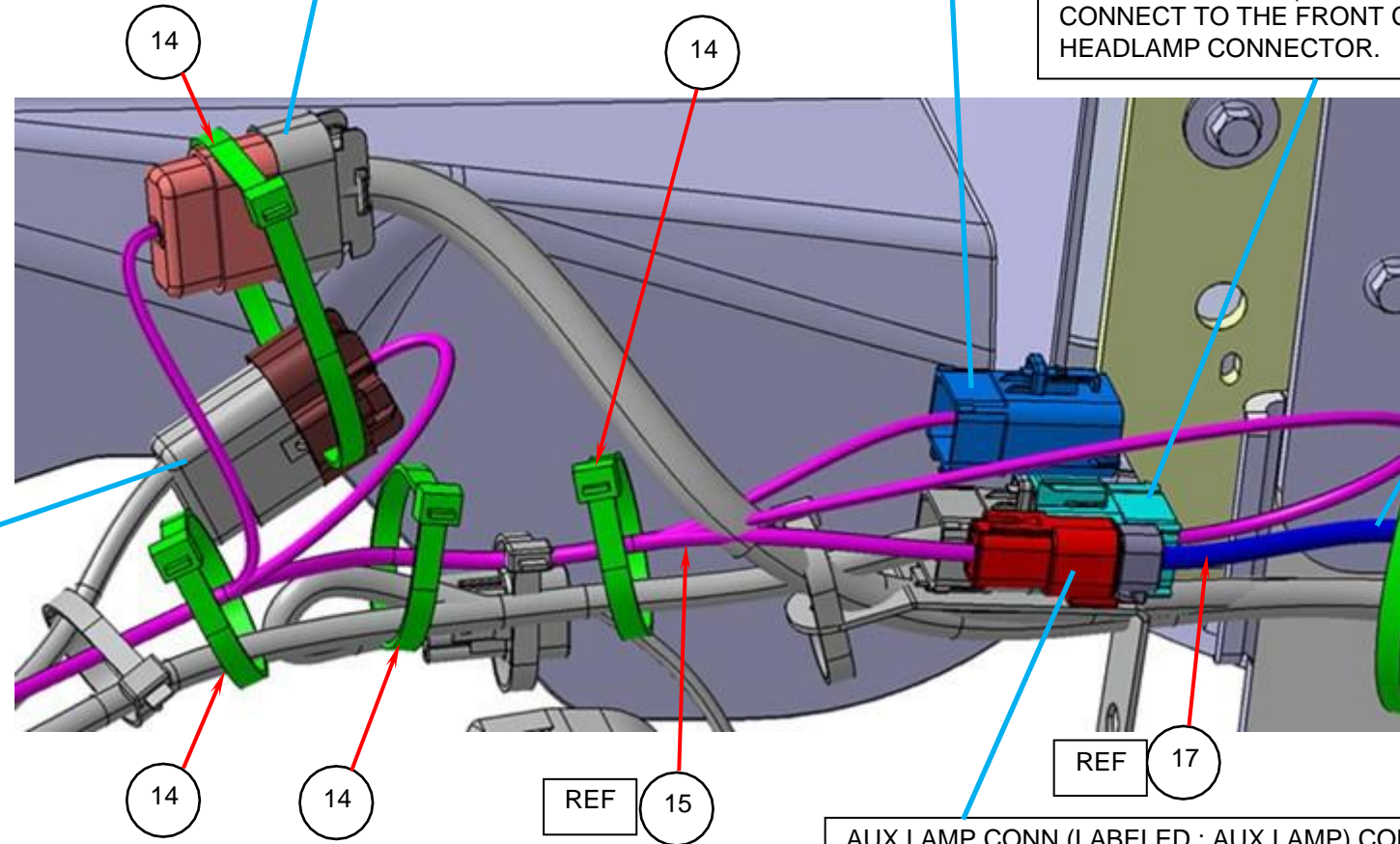
SNOW PLOW LAMPS CONN.(LABELED : PLOW LAMPS) CONNECT TO THE SNOW PLOW HARNESS CONNECTOR.

HEADLAMP CONN.(LABELED : HEADLAMP) CONNECT TO THE HEADLAMP HARNESS CONNECTOR.

HEADLAMP CONN.(LABELED : FC HEADLAMP) CONNECT TO THE FRONT CHASSIS HARNESS HEADLAMP CONNECTOR.

THE AUX LAMPS CHASSIS FRONT HARNESS(BLUE) THE AUX LAMP CONNECTOR SHOULD BE CONNECTED TO THE SNOW PLOW LAMPS CHASSIS OVERLAY HARNESS(PURPLE) AND CABLE TIED TO THE FRONT CHASSIS HARNESS(GRAY).

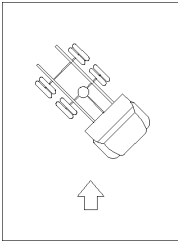
THE SNOW PLOW LAMPS CONN. (LABELED: FC PLOW LAMPS) CONNECT TO THE FRONT CHASSIS HARNESS CONNECTOR.



THE SNOW PLOW LAMPS CHASSIS OVERLAY HARNESS(PURPLE) SHOULD FOLLOW AND BE CABLE TIED TO THE FRONT CHASSIS HARNESS(GRAY).

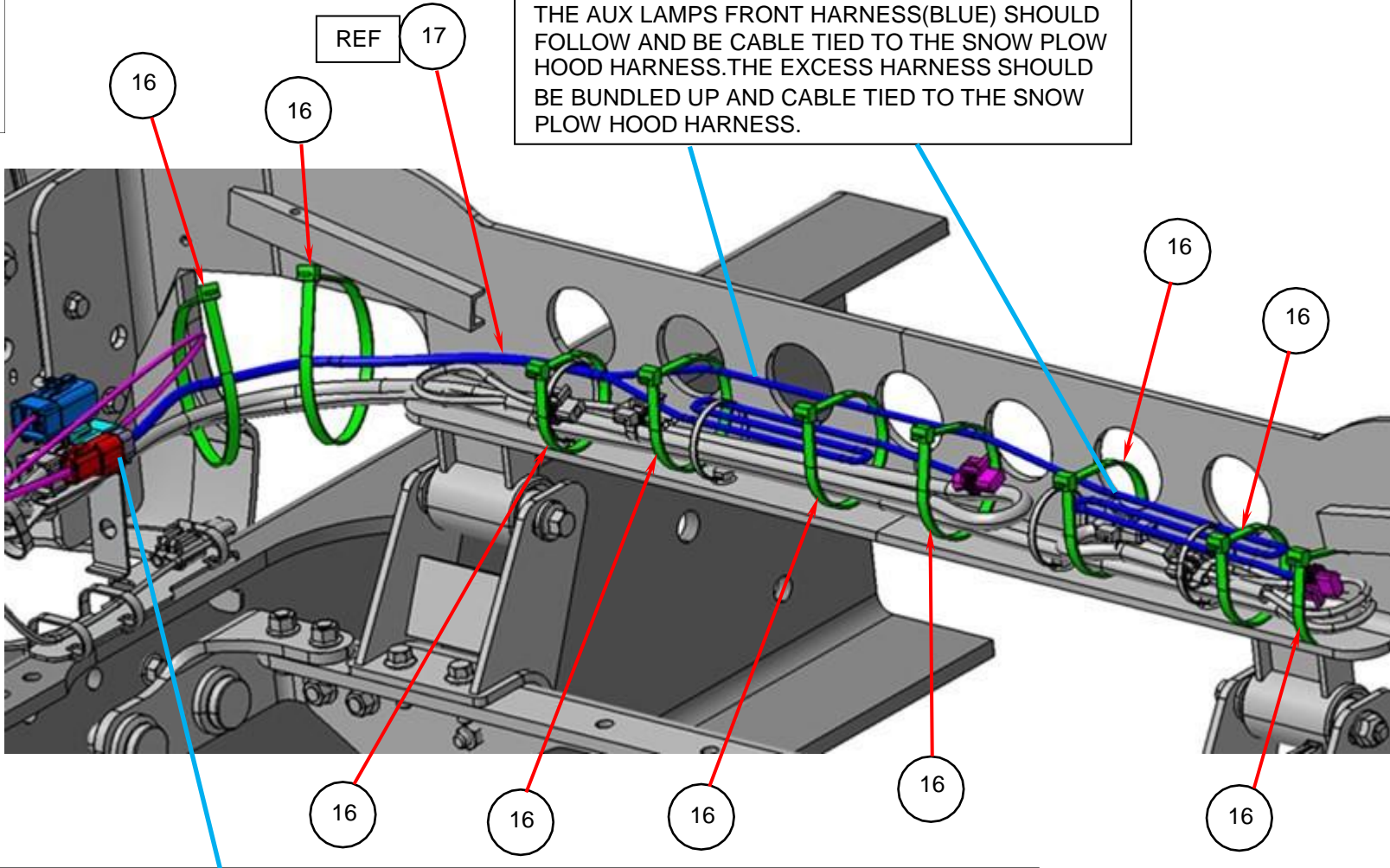
AUX LAMP CONN.(LABELED : AUX LAMP) CONNECT TO THE AUX LAMP CONNECTOR ON THE AUX LAMP HARNESS.

Mack Trucks, Inc.	Document Title INSTALLATION DRAWING	Document No 23844449	Issue Index 02	Volume No 01	Page No 10(11)
	Document Type INSTALLATION REQUIREMENT				



THE ROUTING AND CLIPPING FOR THE SWITCH FOR AUX LAMPS, DUAL INDEPENDENT SNOW PLOW PREP KIT.

THE AUX LAMPS FRONT HARNESS(BLUE) SHOULD FOLLOW AND BE CABLE TIED TO THE SNOW PLOW HOOD HARNESS.THE EXCESS HARNESS SHOULD BE BUNDLED UP AND CABLE TIED TO THE SNOW PLOW HOOD HARNESS.



THE AUX LAMPS CHASSIS FRONT HARNESS(BLUE) THE AUX LAMP CONNECTOR SHOULD BE CONNECTED TO THE SNOW PLOW LAMPS CHASSIS OVERLAY HARNESS(PURPLE) AND CABLE TIED TO THE FRONT CHASSIS HARNESS(GRAY).

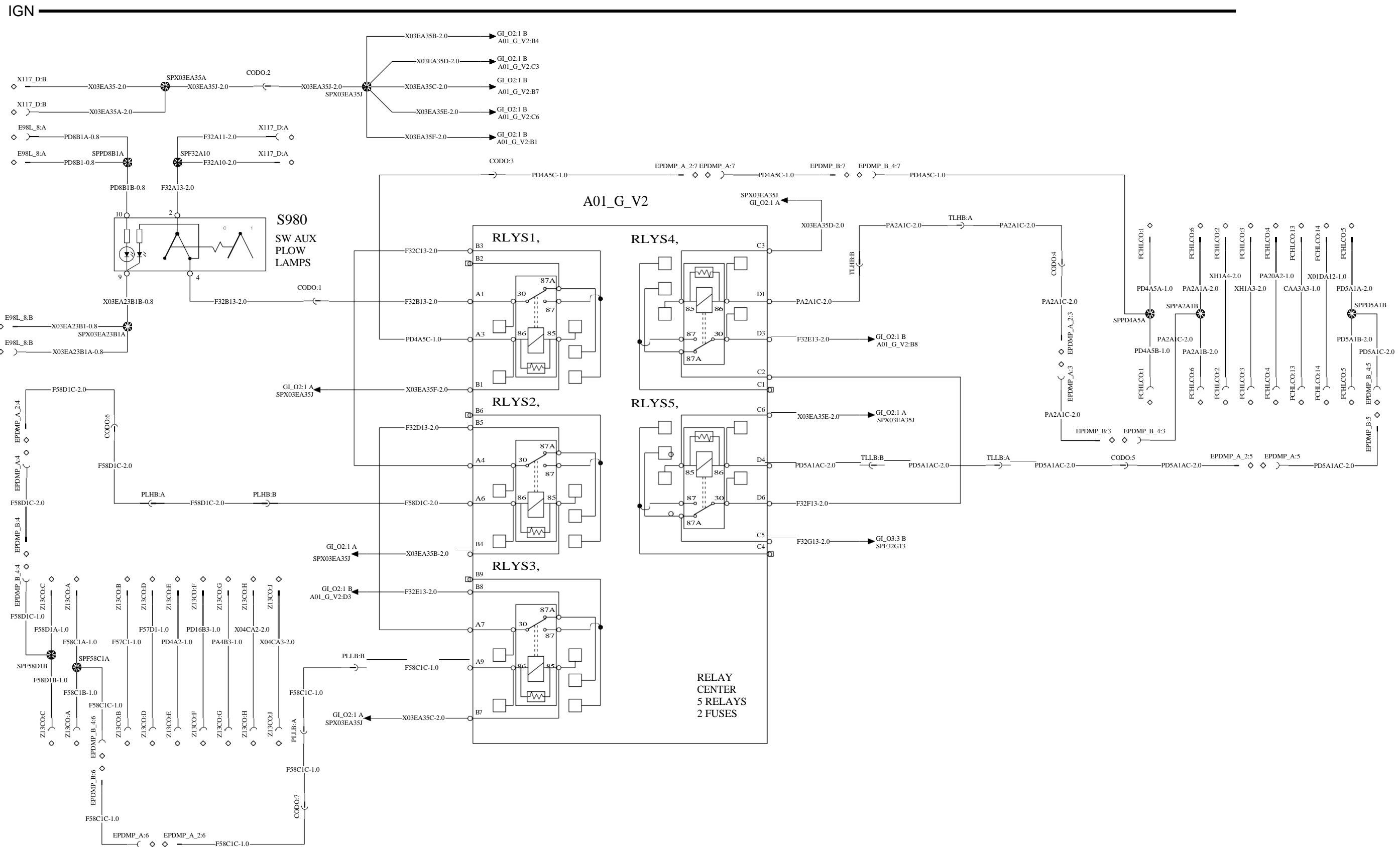
Mack Trucks, Inc.	Document Title INSTALLATION DRAWING	Document No 23844449	Issue Index 02	Volume No 01	Page No 11(11)
	Document Type INSTALLATION REQUIREMENT				

Parts List for NJX-A9X Aux / Snow Plow Lamps

Qty	Part No.	Description	REF	Comments
1	23387819	SWITCH, AUX LAMPS		
1	23266504	WIRES, EPDM PIGTAIL JUMPER	3	
4	25089433	NUT	5	
8	25095420	WASHER	4	
1	82786099	PLATE, EPDM COVER1	7	EPDM plate has to be changed to allow aux lamp wires to pass through
1	84755571	PLATE, EPDM COVER		
6	25171506	NUT RETAINER	8	Nuts to secure EPDM plate can be reused if not damaged
-6	25171506	NUT RETAINER		
1	84755477	GASKET	9	
4	25111125	SCREW	6	
1	23734646	WIRES, AUX LAMP OVERLAY	17	
7	980464	TIE WRAP	7	
17	980464	TIE WRAP	14	
1	23783546	WIRES, FRONT CHASSIS OVERLAY	14	
1	23783544	WIRES, DASH OVERLAY	1	
16	980464	TIE WRAP	2	
1	23785656	WIRES, CAB OVERLAY	3	
2	980464	TIE WRAP	4	
1	84175248	PLATE	5	
2	25092582	SCREW	6	
2	20466164	RERAINER, CABLE TIE	7	
1	25095012	SCREW	8	
2	25109882	NUT	9	
1	23837889	BRACKET	10	
2	25109115	SCREW	11	
2	20706309	LOCK NUT	12	
1	25110848	MOUNTING PLATE	13	

SNOW PLOW PREP W/ EXTRA AUX LIGHTS V2 (NJX-A9X) 1 / 2

WIRING DIAGRAM: GI_O2



MACK

Mack Trucks Inc.

Document title
WIRING DIAGRAM
 Document type
PRODUCT SCHEMATIC

Drawing No.
23258403

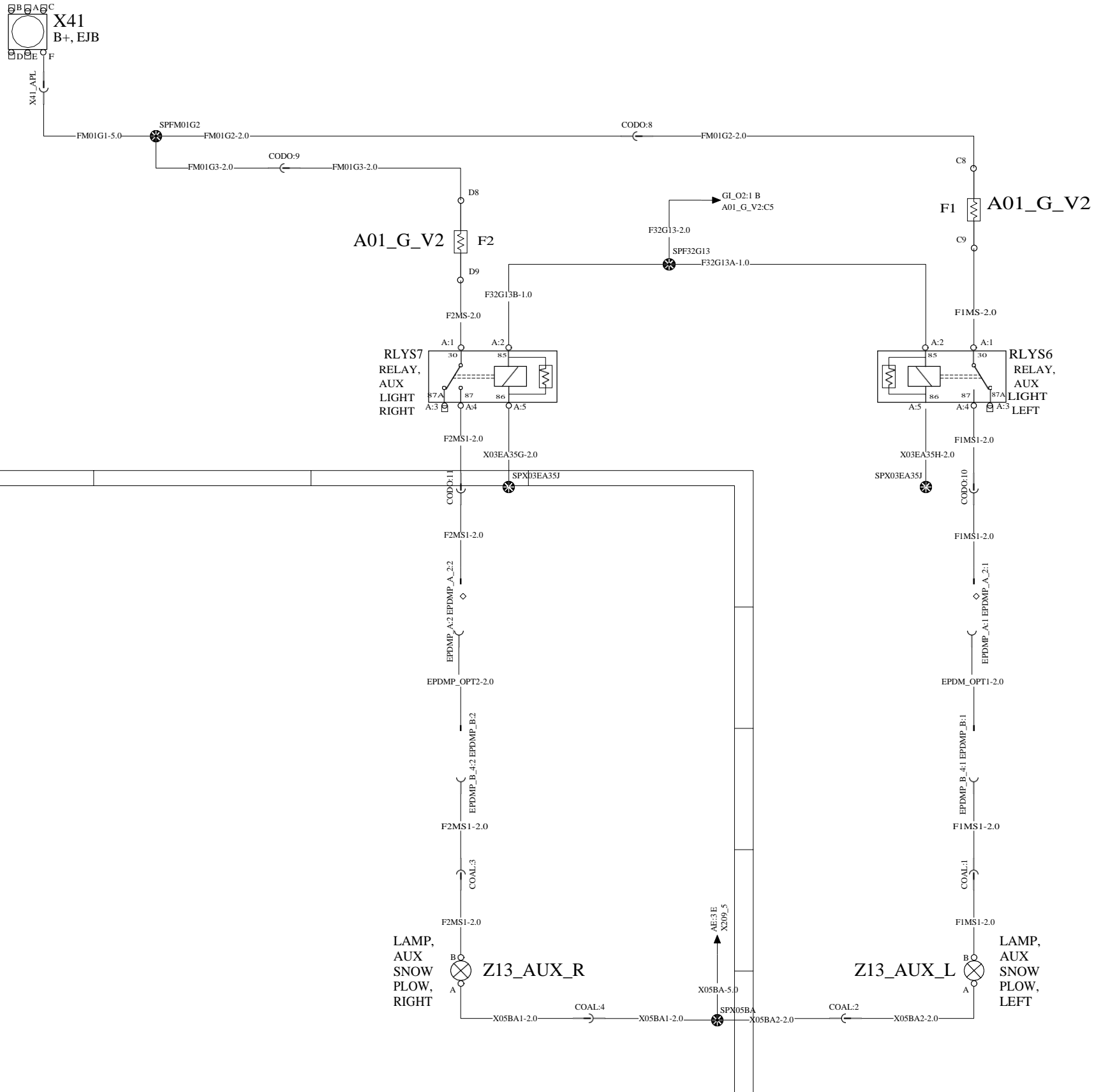
ISSUC

Page

SNOWPLOW PREP W/ EXTRA AUX LIGHTS V2 (NJX-A9X) 2 / 2

WIRING DIAGRAM: GI_O3

IGN



A

A

B

B

C

C

D

D

E

E

MACK

Mack Trucks Inc.

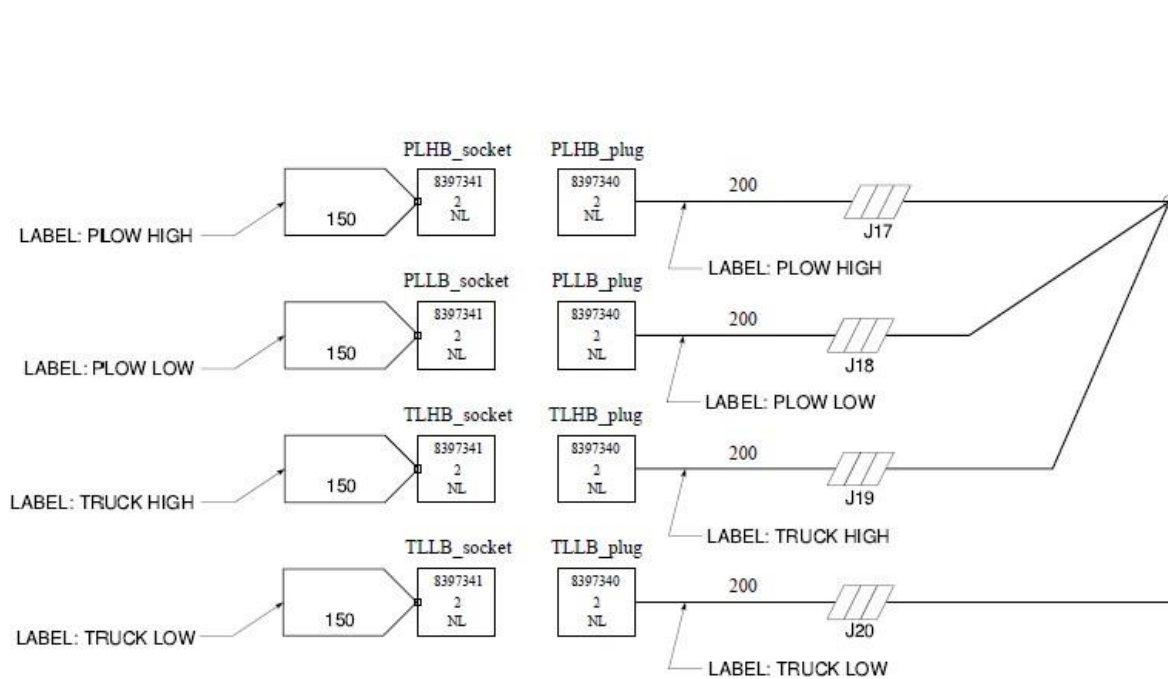
Document title
WIRING DIAGRAM
 Document type
PRODUCT SCHEMATIC

Drawing No.
23258403

Issue Page

Wiring Harness Connections

Below is an illustration of the harness showing the connections that need to be unplugged for the lights to stay on in the application they want and the bottom picture Figure 1 shows the location of the connectors.



PLHB = Plow Lamps High Beam

PLLB = Plow Lamps Low Beam

TLHB = Truck Lamps High Beam

TLLB = Truck Lamps Low Beam

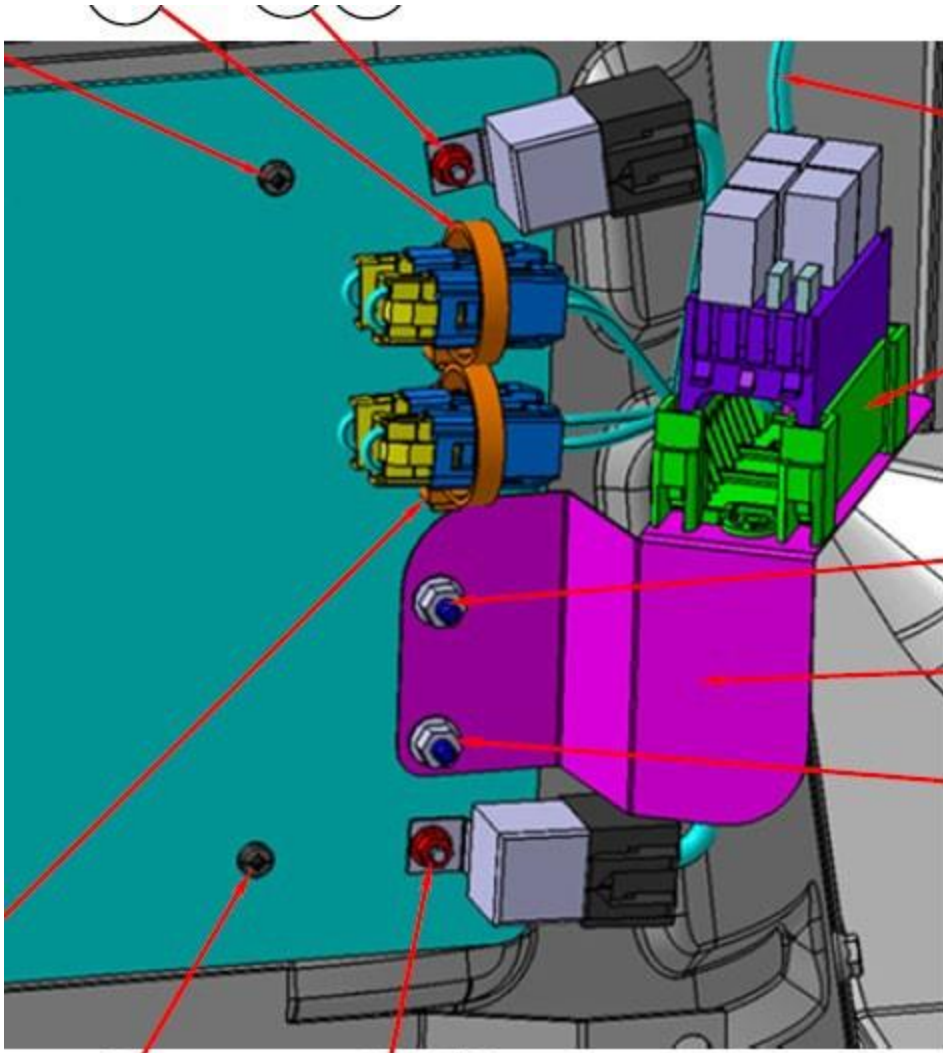


Figure 1

This panel is located behind the Cup Holder located on the Dog House Cover, Remove the Cup holder for Access.